

Doris Digital

ELEGANT BATHROOM RADIATOR WITH FAN AND INTEGRATED PROGRAMMING



+ PRODUCT

COMFORT

- Bathroom radiator fitted with 3CS technology: Solution for both towel drying, towel warming and bathroom heating
- Electric or mixed (electric + water-filled) versions
- Available models: With or without fan
- From 500 to 1000 W with an extra 1000 W turbo fan available
- Heat-conducting fluid

SAVINGS

- Up to 25% energy savings* thanks to weekly programming
- 6-setting mode pilot wire: Comfort, Comfort -1°C, Comfort -2°C, Economy, Anti-frost, Stop
- ErP-compliant

USER-FRIENDLINESS

- New ergonomic LCD digital controls
- Boost mode and heat anticipation
- Removable dust filter that can be cleaned without taking the device off the wall

DESIGN

- Available in 9 colours**
- New elegant design with large rails and pegs

BATHROOM RADIATOR

500 TO 1000 W
(WITHOUT FAN)

1500 TO 2000 W
(WITH FAN)



Model available***



Digital controls



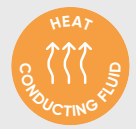
Energy savings



Technology

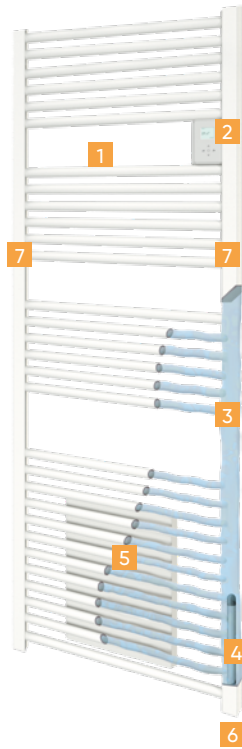


9 colours available**



Heating element type

Doris Digital



- 1 Towel rail tubes
- 2 LCD digital controls
- 3 Heat-conducting fluid
- 4 Heating element
- 5 Turbo fan 1000 W (optional)
- 6 Room temperature sensor
- 7 Vertical collectors

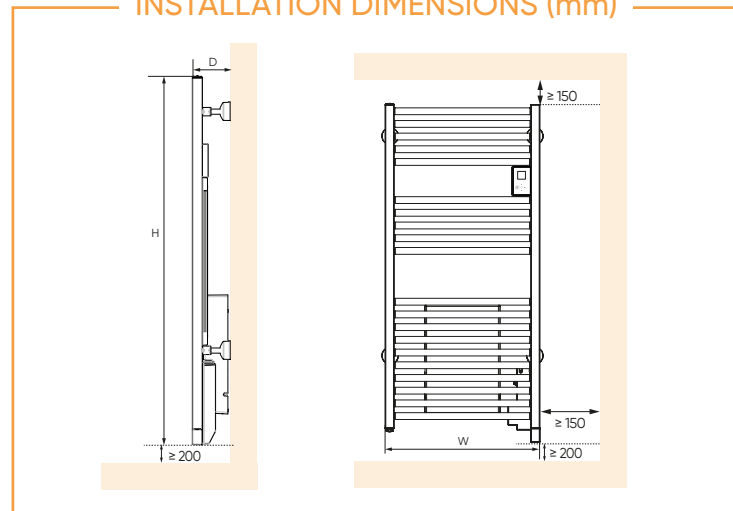


- 1 LCD screen showing temperature and active mode
- 2 Navigation buttons
- 3 Back button
- 4 Access to menu/validation
- 5 Boost mode



**On special order

INSTALLATION DIMENSIONS (mm)



TECHNICAL DATA

OUTPUT (W)	DIMENSIONS (mm)			NET WEIGHT (KG)
	WIDTH (W)	HEIGHT (H)	DEPTH (D)	
Doris Digital without fan				
500	500	1090	115	15
750	500	1582	115	20
1000	550	1828	115	25
Doris Digital with fan				
500+1000	500	1090	130	17
750+1000	500	1582	130	22
1000+1000	550	1828	130	27