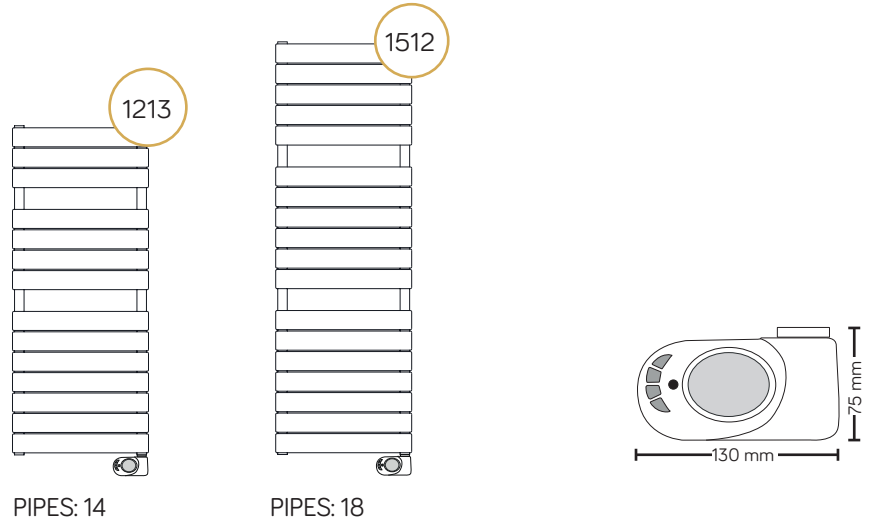


E-PALERMO

Technical sheet





Description	Curved
Material	Carbon steel
Pipes - mm	70x11x1,5
Collectors - Ø	35x1,5
Wall fixings	4
Max temperature	75 °C
Paint	Epoxy polyester powder
Packaging (ECO packaging)	Cardboard box and protections
Protection rate	IP24
Electrical insulation	Class 2
Power source	230V - 50Hz
Heating element protection system	Overtemperature cut-out
Wire	Straight with shuko plug. Approx. length 1000 mm ca.
Standard equipment	1 kit wall fixing brackets

Wall distance



Min.	Max
80	95



Anthracite VOV12 - straight

Code	Height mm	Width mm	Weight kg	Heating element watt	Heating element kcal/h	Heating element btu	Overtemperature °C
389051	1213	500	21,4	500	430	1706	105
389052	1512	500	26,9	750	649	2559	105

MAIN FUNCTIONS OF THE DIGITAL THERMOSTAT

