

Technical submittal

Products: **Stratton mk3 S3-80, S3-100, S3-120, S3-150***

Project:

Customer:

Date:

- ⊙ 7 models available with 40, 60, 70, 80, 100, 120, 150kW output models
- ⊙ Wall hung condensing boiler
- ⊙ Stainless steel heat exchanger for added durability
- ⊙ Low height for tight plantrooms
- ⊙ Up to 5:1 turndown ratio
- ⊙ Up to 97% gross seasonal efficiency
- ⊙ NOx class 6
- ⊙ Single units can be cascaded for larger installations
- ⊙ Advanced sequence control for up to 16 boiler modules
- ⊙ Easy access for service and system cleaning
- ⊙ Connections in recess at base of the boiler
- ⊙ Suitable for natural gas (all sizes) and LPG (up to 120kW) applications
- ⊙ Full range of hydraulic separation options available
- ⊙ Room sealed options



	Units	S3-80	S3-100	S3-120	S3-150*	
Energy	Building Regulations Part L seasonal efficiency	% gross	95.6	95.6	95.6	95.8
	ErP efficiency rating		N/A	N/A	N/A	N/A
	Maximum boiler output (80-60 Deg C, NG & LPG)*	kW	77.8	93.4	116.8	141.1
	Maximum boiler output (50-30 Deg C, NG & LPG)*	kW	84.4	101.3	127.8	154.5
	Minimum boiler output (80-60 Deg C, NG & LPG)*	kW	19.2	19.2	24	29
Water	Standby losses	W	63	63	72	69
	Water content	litres	7.5	7.5	9.5	11
	Nominal water flow rate	l/sec	1.16	1.19	1.43	1.73
	Minimum water flow rate	l/sec	0.64	0.64	0.83	0.96
	System design flow rate @ 11 Deg C rise	l/sec	1.73	2.17	2.6	3.14
	Water pressure loss @ 11 Deg C rise	mBar	1043	1457	1648	2278
	System design flow rate @ 20 Deg C rise	l/sec	0.96	1.19	1.43	1.79
	Water pressure loss @ 20 Deg C rise	mBar	318	449	515	701
	System design flow rate @ 25 Deg C rise	l/sec	0.76	0.95	1.14	1.38
	Water pressure loss @ 25 Deg C rise	mBar	203	287	335	441
	Minimum water pressure (cold)	barg	1	1	1	1
	Maximum water pressure	barg	6	6	6	6
	Maximum flow temperature	Deg C	85	85	85	85
	Gas	Maximum gas inlet pressure (NG)	mBar	25	25	25
Nominal gas inlet pressure (NG)		mBar	20	20	20	20
Minimum gas inlet pressure (NG)		mBar	17	17	17	17
Maximum gas inlet pressure (LPG)		mBar	45	45	45	N/A
Nominal gas inlet pressure (LPG)		mBar	37	37	37	N/A
Minimum gas inlet pressure (LPG)		mBar	25	25	25	N/A
Maximum gas flow rate (NG)		m ³ /hr	8.5	10.2	12.7	15.3
Maximum gas flow rate (LPG)		m ³ /hr	3.3	3.9	4.9	N/A
Flue	Maximum flue gas temperature (80-60 Deg C, NG)	Deg C	66.5	72.5	73.5	73
	Dry Nox emission (0% excess oxygen, dry air free)	mg/kWh	39	39	39	39
Elec	Electrical supply		230V AC/50Hz	230V AC/50Hz	230V AC/50Hz	230V AC/50Hz
	Power consumption (at maximum modulation)	W	94	143	233	260
Misc	Approx. shipping weight (empty)	kg	77	77	81	100
	Noise emission @ 1M (maximum modulation)	db (A)	67.7	64.7	64.9	59.2

* LPG option for 150kw is not available



Technical submittal

Products: **Stratton mk3 S3-80, S3-100, S3-120, S3-150***

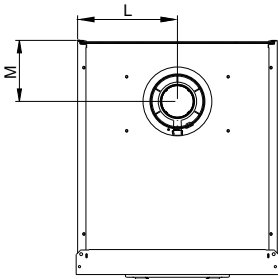
Project:

Customer:

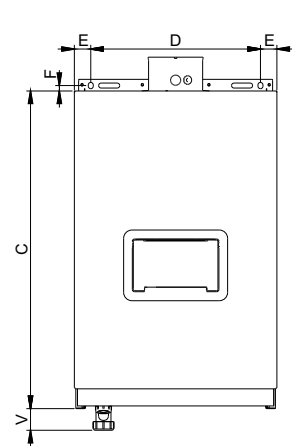
Date:

Stratton mk3 S3-80, S3-100, S3-120, S3-150

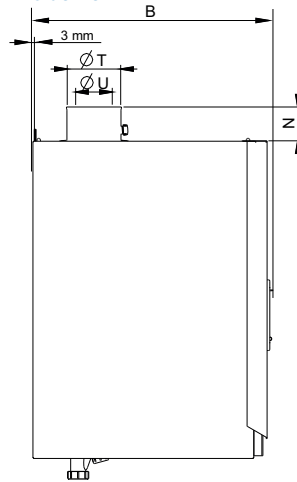
Plan view



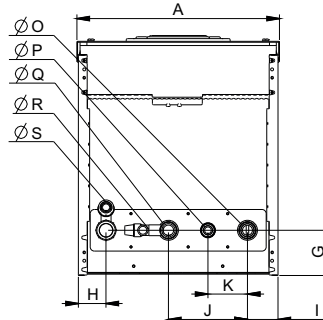
Front view



Side view



Underside view



Dimensions

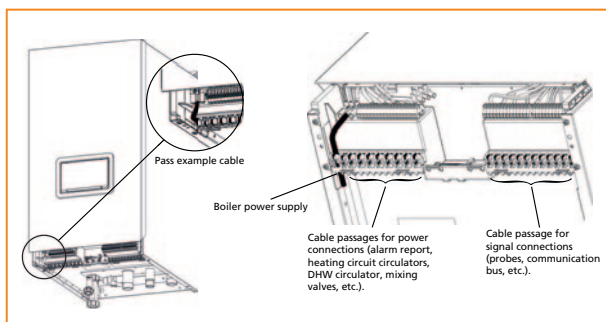
		Boiler Models in kW			
		S3-80	S3-100	S3-120	S3-150
A	Boiler width	(mm)	487		
B	Boiler depth	(mm)	668		
C	Boiler height	(mm)	895		
D	Fixing centers	(mm)	408		
E	Distance of fixings to side of boiler	(mm)	36		
F	Fixing point centers above top of casing	(mm)	17		
G	Center of connections to rear of boiler	(mm)	108,5		
H	Center of siphon outlet to side casing	(mm)	65,5		
I	Center of return connection from casing side	(mm)	74,5		
J	Centers between flow and return connections	(mm)	190		
K	Centers between gas inlet and return connection	(mm)	95		
L	Center of flue from side	(mm)	240		
M	Center of flue from rear	(mm)	123		
N	Flue connection socket height	(mm)	83		
Ø O	Return connection		G 1" ¼		
Ø P	Gas inlet connection		G 1"		
Ø Q	Flow connection		G 1" ¼		
Ø R	Pressure relief valve		G ½" (female)		
Ø S	Condensate outlet	(mm)	24		
Ø T	Air inlet	(mm)	150		
Ø U	Flue duct	(mm)	100		
V	Siphon outlet from the bottom of the casing	(mm)	52		

Clearances

Recommended Clearance – All Models

Front: 800mm Sides: 250mm* Top: Dependent on flue choice

* Side clearance is preferred but not compulsory.



Every effort has been taken to ensure the details are accurate. Hamworthy Heating does not, however, guarantee the accuracy or completeness of any information nor does it accept liability for any errors or omissions in the information. Hamworthy Heating reserves the right to make changes and improvements which may necessitate alteration to product specification without prior notice.