

Technical submittal

Products: **Tyneham 290HT heat pump 27kW**

Project:

Customer:

Date:

- ⊙ Monobloc air source heat pump
- ⊙ Single unit with the refrigeration cycle contained within the outdoor unit
- ⊙ Inverter controlled compressor to accurately match the heat demand
- ⊙ Ultra-low global warming potential due to the use of R290 natural refrigerant
- ⊙ Able to achieve high temperatures up to 75°C
- ⊙ Highly efficient coefficient of performance (COP)
- ⊙ Quiet noise level as low as 65 dB(A)**
- ⊙ Suited to larger installations – cascade systems to achieve higher output
- ⊙ Combine with Hamworthy's boilers for a hybrid heating system
- ⊙ 2-year warranty# (extended to 5 years if commissioned by Hamworthy Heating)

	Tyneham model	Units	27kW
ENERGY	Heat Pump Space Heating [35°C]	ErP rating	A++
	Heat Pump Space Heating [35°C]	SCOP	4.46
	Heat Pump Space Heating [55°C]	ErP rating	A++
	Heat Pump Space Heating [55°C]	SCOP	4
	Refrigerant		R290
	Refrigerant Charge	(kg)	2.1
HEATING	Global Warming Potential	GWP	3
	Heating (A7/W35)	Capacity (kW)	28.6
	Heating (A7/W35)	Power Input (kW)	7.6
	Heating (A7/W35)	COP*	4.54
	Max Flow Temperature	Max [°C]	75
SOUND	Air Temperature Range	Min/Max [°C]	(-20 +40)
	Sound Data Outdoor unit	Power Level dB(A)**	65
CONNECTIONS & WATER	Sound Data Outdoor unit	Pressure Level at 1m dB (A)***	45
	Pipework Connection Sizes	Heating Flow (inch)	1 1/4
	Pipework Connection Sizes	Heating Return (inch)	1 1/4
ELECTRICS	Minimum Water Volume	Litres (l)	225
	Electrical Supply	(v)	400
	Phase		Three
	Max Running Current	(amp)	21
DIMENSIONS	Fuse Rating	(amp)	25
	Width	(mm)	1610
	Depth	(mm)	710
	Height	(mm)	1270
	Weight	(kg)	285



Every effort has been taken to ensure the details are accurate. Hamworthy Heating does not, however, guarantee the accuracy or completeness of any information nor does it accept liability for any errors or omissions in the information. Hamworthy Heating reserves the right to make changes and improvements which may necessitate alteration to product specification without prior notice.

Technical submittal

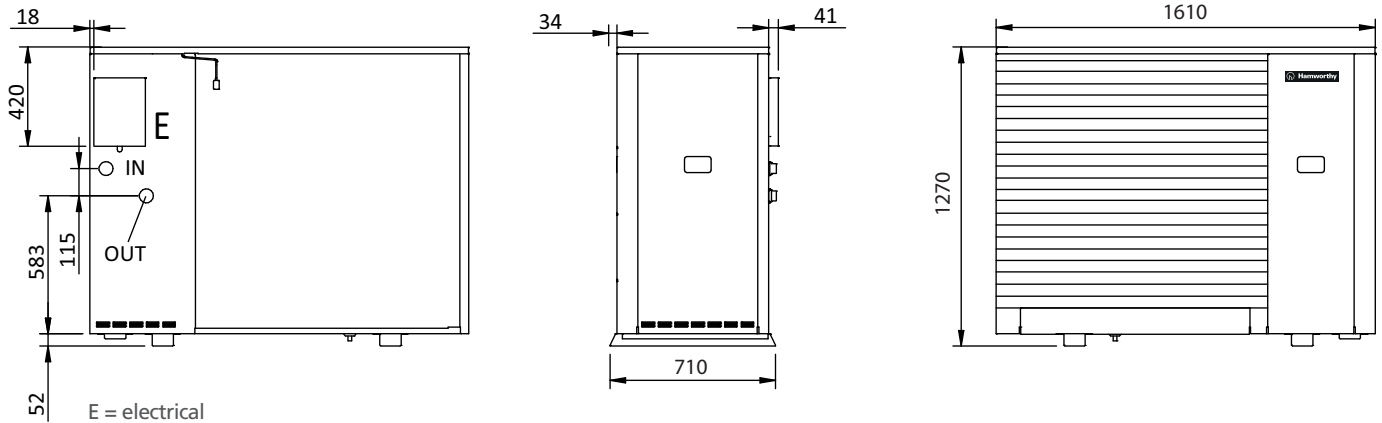
Products: **Tyneham 290HT heat pump 27kW**

Project:

Customer:

Date:

Dimensions



Note: All dimensions in mm unless otherwise stated.

Minimum installation clearances:

Front: 1500mm

Rear: 400mm

Left: 400mm

Right: 500mm

Top: 1500mm.

Bottom: 50mm

Side clearance of 1000mm when used in cascade.

The outdoor unit must be raised by at least 50mm from the ground

Accessories and options:

	Included	Optional
External control unit	•	
Flexible hoses		•
Anti-vibration rubber feet		•
Exogel antifreeze kit		•

Terms and conditions apply:

Tyneham 290HT models all represent the output at Air 7°C & Water 35°C.

* Coefficient of Performance (COP) rated at EN14825 test conditions Water 35°C / Air 7°C.

** The sound levels refer to a fully loaded unit at standard nominal conditions according to EN12102:2022.

*** Sound pressure value calculated from the sound power level in condition (9) using the standard UNI EN ISO 3744:2010.

2 year warranty extended to 5 years if commissioned by Hamworthy Heating.