

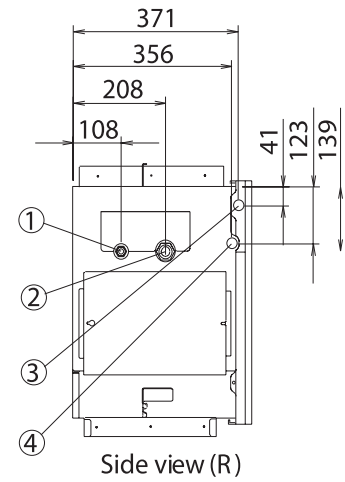
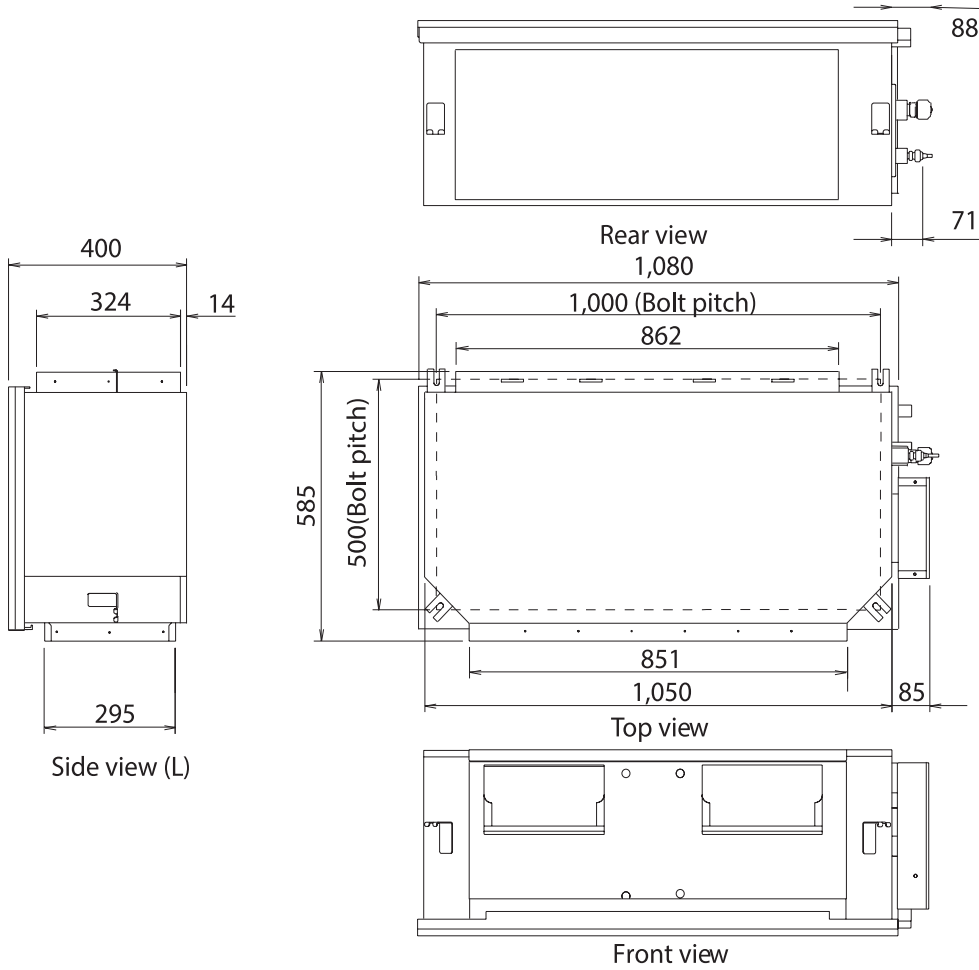
# Série KHTB

GAINABLE HAUTE PRESSION - DC INVERTER - R32

●●○ PERFORMANCE



VERSION CHAUD SEUL SELON MODÈLE



- 1 Refrigerant piping flare connection (Liquid)
- 2 Refrigerant piping flare connection (Gas)
- 3 Drain piping connection (Safety drain pan)
- 4 Drain piping connection (Main drain pan)