

# **Stratton mk3**

## **Retro-Fit Mounting Plate Kit Fitting Instructions**

*40, 60, 70  
40P, 60P, 70P*

### **IMPORTANT NOTE**

**THESE INSTRUCTIONS MUST BE READ  
AND UNDERSTOOD BEFORE INSTALLING,  
COMMISSIONING, OPERATING OR  
SERVICING EQUIPMENT**



## Customer After Sales Services

Telephone: **01202 662555**

Email: **service@hamworthy-heating.com**

Fax: **01202 662522**

### **Technical Enquiries**

To supplement the detailed technical brochures, technical advice on the application and use in the Hamworthy Heating range is available from our technical team in Poole and our accredited agents.

### **Site Assembly**

Hamworthy offer a service if site assembly for many of our products where plant room access is restricted. Using our trained staff we offer a high quality of build and assurance of a boiler built and tested by the manufacturer.

### **Commissioning**

Commissioning of equipment by our own engineers, accredited agents or specialist sub-contractors will ensure the equipment is operating safely and efficiently.

### **Service Contracts**

Regular routine servicing of equipment by Hamworthy service engineers inspects the safety and integrity of the plant, reducing the risk of failure and improving performance and efficiency. Service contracts enable you to plan and budget more efficiently.

### **Breakdown service, repair, replacement**

Hamworthy provide a rapid response breakdown, repair or replacement service through head office at Poole and accredited agents throughout the UK.

### **Spare Parts**

We offer a comprehensive range of spare parts, providing replacement parts for both current and discontinued products. Delivery options are available to suit you. Please refer to our website [hamworthy-heating.com](http://hamworthy-heating.com) for more details.

**IMPORTANT: NOTE TO THE INSTALLER: LEAVE THESE INSTRUCTIONS ADJACENT TO THE GAS METER.**

## 1.1 INTRODUCTION

**⚠ IMPORTANT:** Before commencing installation, the mounting frame/s must stand on a flat and level floor. Before the boiler or headers are installed drill and fit the floor bolts (not provided) through the holes in the front of the frame feet.

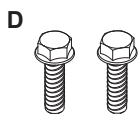
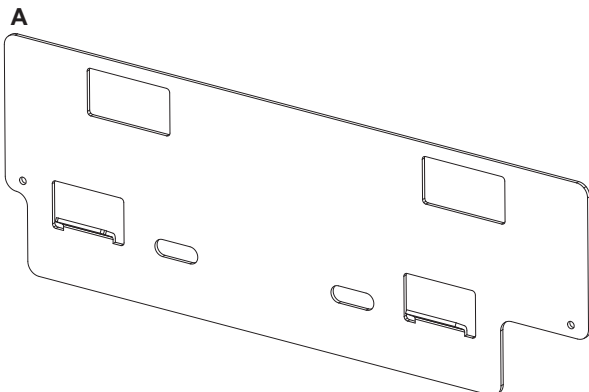
The Stratton mk3 has a smaller footprint than the Stratton mk2. Therefore to allow the Stratton mk3 to be fitted to a Stratton mk2 support frame this kit has been provided.

This retrofit mounting plate allows boilers to be correctly positioned onto the support frame and align with piping kits when replacing the Stratton mk2 for a Stratton mk3.

## 1.2 KIT CONTENTS

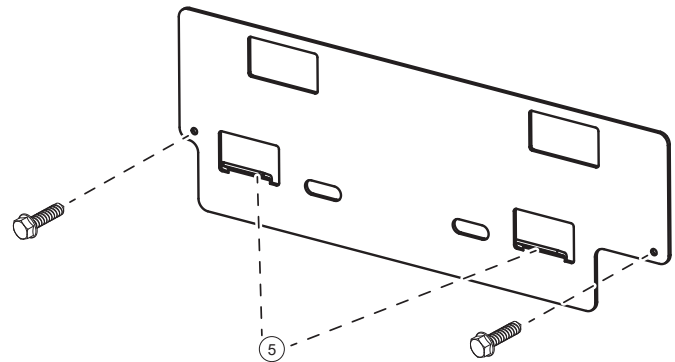
<b>A</b>	1 x	40-70 kW Retro-Fit Mounting Plate
<b>B</b>	1 x	DN25-1" BSP Mac Union *
<b>C</b>	2 x	DN32 - 1 1/4" Gasket *
<b>D</b>	2 x	M6 Self Drilling Screw

\* Supplied to assist with the boiler retro-fitting process



## 2.1 FITTING THE RETRO-FIT MOUNTING PLATE

1. Isolate all flue, water, gas and electrical services/supplies to the existing Stratton mk2 boiler.
2. Remove the boiler from the frame using suitable lifting equipment to safely handle the boiler weight. (Refer to Stratton mk2 Installation Manual).
3. Install the retro-fit mounting plate onto the two hooks on the support frame.
4. Install the 2 x M6 self drilling screws through the 2 holes (as below) into the support frame fully tightened.



5. Install the Stratton mk3 boiler onto the two locating hooks on the Retrofit mounting plate.
6. Reconnect all flue, water, gas and electrical services/ supplies to the Stratton mk3 boiler.
7. Do all the checks as stated in the Stratton mk3 Installation Manual Commissioning section.

# Hamworthy Heating Accredited Agents

## **Southern Ireland (Sales & Service)**

HEVAC Limited  
Naas Road, Dublin 12, Ireland  
tel: **00 353 141 91919** fax: **00 353 145 84806**  
email: [info@hevac.ie](mailto:info@hevac.ie)

## **Scotland (Sales & Service)**

McDowall Modular Services  
2 Penson Road, Queenslie Industrial Estate, Glasgow, G33 4AG  
tel: **0141 336 8795** fax: **0141 336 8954**  
email:  
[MMS.McDowallModularServices@hamworthy-heating.com](mailto:MMS.McDowallModularServices@hamworthy-heating.com)

# Hamworthy Heating Customer Service Centre

## **Sales**

tel: 01202 662552  
email: [sales@hamworthy-heating.com](mailto:sales@hamworthy-heating.com)

## **Technical Enquiries**

tel: 01202 662505  
email: [technical@hamworthy-heating.com](mailto:technical@hamworthy-heating.com)

## **Servicing**

tel: 01202 662555  
email: [service@hamworthy-heating.com](mailto:service@hamworthy-heating.com)

## **Spares**

tel: 01202 662525  
email: [spares@hamworthy-heating.com](mailto:spares@hamworthy-heating.com)

British engineering excellence from Hamworthy Heating;  
the commercial heating and hot water specialists.



## **Customer Service Centre**

Hamworthy Heating Limited,  
Wessex House,  
New Fields Business Park,  
Stinsford Road,  
Poole,  
Dorset,  
BH17 0NF

Telephone: **01202 662500**  
Fax: **01202 662522**  
Email: [service@hamworthy-heating.com](mailto:service@hamworthy-heating.com)  
Website: [www.hamworthy-heating.com](http://www.hamworthy-heating.com)