

E-Series



ELECTRIC WATER HEATER

Models 30 to 100
(Vertical wall-mounted)

Models 50 to 100
(Horizontal wall-mounted)



Comfort

- A robust and classic solution for reliable hot water supply, providing optimal comfort for everyday use



Durability

- Magnesium anode for strengthened tank protection
- Diamond-quality glass lining
- Pressure relief valve
- Dielectric union
- Specific lip gasket to avoid corrosion around flange
- Rod-type thermostat (regulation + manual reset safety cut-out)



Installation

- Models available for both horizontal and vertical installation

Safe installation:

- IP 24 or IP 25 – full compliance with European standards for electrical safety and user protection



Energy savings

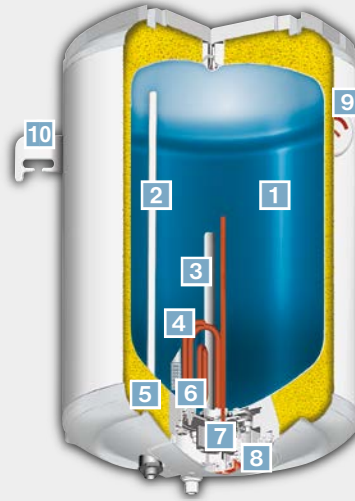
- Mechanical thermostat with integrated security
- High-efficiency water inlet
- CFC-free high-density polyurethane insulation



User-friendly

- Heating light indicator

- 1 **DIAMOND-QUALITY GLASS LINING**
for long life and reliability
- 2 Optimised stainless steel outlet pipe
- 3 **MAGNESIUM ANODE**
- 4 Inlet diffuser
- 5 High-density, 0% CFC polyurethane foam
- 6 Copper heating element
- 7 Thermostat with manual reset safety cut-out
- 8 Heating light indicator
- 9 External thermometer
- 10 Bracket for wall-mounting



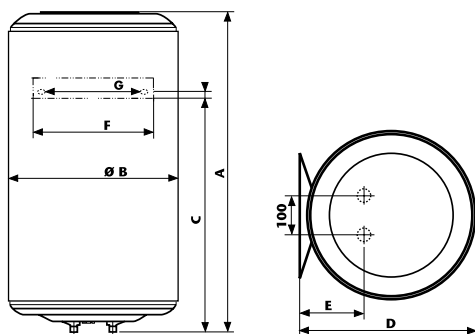
Technical specifications

Model	Ref.	Output (W)	Voltage (V)	Heat-up time at 60°C (Δt=20°C)	Heat-up time at 60°C (Δt=50°C)	Standby losses Kw/24h	ESMA energy efficiency
E-Series Vertical wall-mounted							
30	831174	1200	220-240	0h36	1h12	0.60	★★★★★
50	841270	1500	220-240	0h48	1h53	0.91	★★★★★
80	851253	1500	220-240	1h17	3h09	1.34	★★★★★
100	861283	1500	220-240	1h36	3h48	1.70	★★★★
E-Series Horizontal wall-mounted							
50	843028	1500	220-240	0h40	1h38	0.99	★★★★★
80	853059	1500	220-240	1h03	2h38	1.41	★★★★★
100	863067	1500	220-240	1h26	3h36	1.74	★★★★

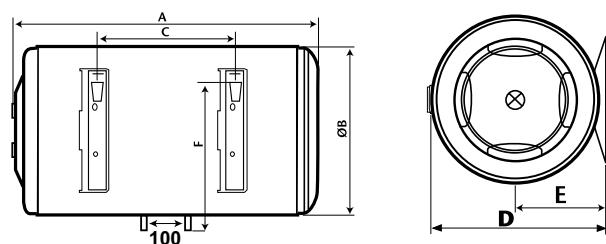
IP 25 vertical IP 24 horizontal

Installation dimensions (mm)

Model	Ref.	Dimensions (mm)							Flange opening (∅) mm	Net weight (kg)
		A	B	C	D	E	F	G		
E-Series Vertical wall-mounted										
30	831174	448	433	235	451	165	300	240	78	11
50	841270	612	433	380	451	165	300	240	78	15
80	851253	859	433	590	451	165	300	240	78	21
100	861283	1021	433	740	451	165	300	240	78	24
E-Series Horizontal wall-mounted										
50	843028	596	433	160	451	234	343	-	78	15
80	853059	843	433	335	451	234	343	-	78	21
100	863067	1005	433	486	451	234	343	-	78	24



VERTICAL WALL-MOUNTED



HORIZONTAL WALL-MOUNTED