

PUREWELL *VariHeat c*
REVERSE RETURN HEADER KITS
INSTALLATION INSTRUCTIONS

IMPORTANT NOTE

**THESE INSTRUCTIONS MUST BE READ
AND UNDERSTOOD BEFORE INSTALLING,
COMMISSIONING, OPERATING OR
SERVICING EQUIPMENT**

Customer After Sales Services

Telephone: **01202 662555** E-mail: **service@hamworthy-heating.com** Fax: **01202 662522**

Technical Enquiries

To supplement the detailed technical brochures, technical advice on the application and use of products in the Hamworthy Heating range is available from our technical team in Poole and our accredited agents.

Site Assembly

Hamworthy offer a service of site assembly for many of our products where plant room access is restricted. Using our trained staff we offer a higher quality of build and assurance of a boiler built and tested by the manufacturer.

Commissioning

Commissioning of equipment by our own engineers, accredited agents or specialist sub-contractors will ensure the equipment is operating safely and efficiently.

Service Contracts

Regular routine servicing of equipment by Hamworthy service engineers inspects the safety and integrity of the plant, reducing the risk of failure and improving performance and efficiency. Service contracts enable you to plan and budget more efficiently.

Breakdown service, repair, replacement

Hamworthy provide a rapid response breakdown, repair or replacement service through head office at Poole and accredited agents throughout the UK.

Spare Parts

We offer a comprehensive range of spare parts, providing replacement parts for both current and discontinued products. Delivery options are available to suit you. Please refer to our website for more details.

PUREWELL *VariHeat c*
REVERSE RETURN HEADER KITS
INSTALLATION INSTRUCTIONS

Purewell *VariHeat* Condensing Boilers
Models PV 70c, PV 95c, PV 110c, PV 140c & PV 180c
Consisting of 2, 3 multiple boiler arrangement

**THESE INSTRUCTIONS MUST BE READ IN CONJUNCTION WITH
THE PUREWELL VARIHEAT INSTALLER'S GUIDE.**

PUBLICATION NO. 500005151
ISSUE 'B'
AUG 2015

CONTENTS	PAGE
Front Page	i
Contents	ii
1.0 GENERAL INSTRUCTIONS	1
2.0 ASSEMBLY	2

FIGURES: -

1	2 Boiler Water Pipe Assembly - General Overview	1
2	Pipe kit Exploded View	2
2.2.1	Dimensional Overview, 2 Boiler Model 70c, 95c & 110c	4
2.2.2	Dimensional Overview, 2 Boiler Model 140c & 180c	5
2.2.3	Dimensional Overview, 3 Boiler Model 70c, 95c, 110c, 140c & 180c	5
2.2.4	Suggested Condensate Plumbing	6

1.0 GENERAL INSTRUCTIONS

These instructions MUST be read in conjunction with the Purewell VariHeat Installer's Guide (HHL Part No. 500001169 for Condensing Models).

SAFETY NOTE: All safety instructions referred to in the Installer's Guide must be adhered to, and a competent person must carry out all works referred to in this instruction.

These header kits are specifically for use with Purewell VariHeat boilers.

All sub assemblies are pressure tested prior to despatch.

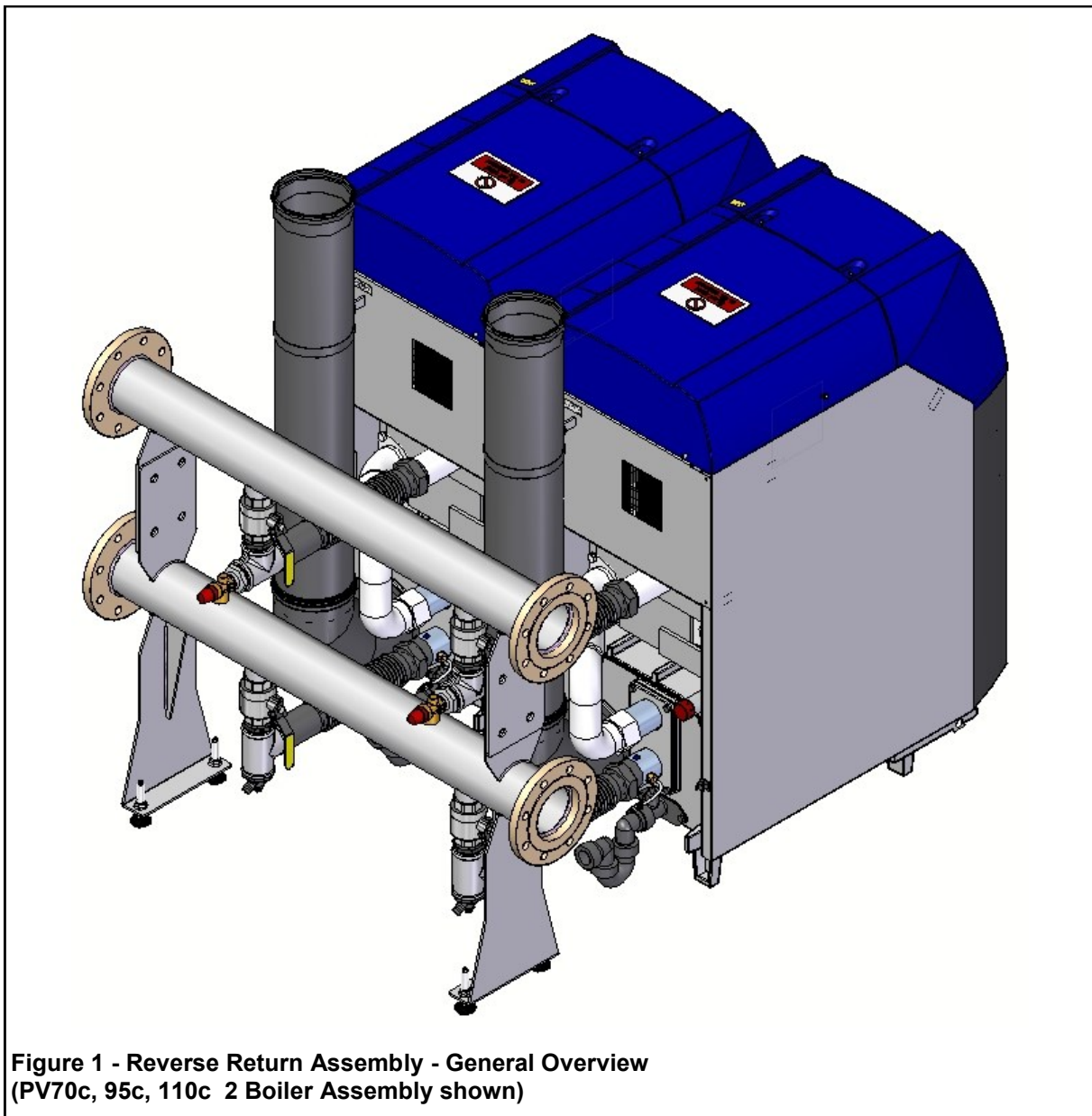
NOTE: This water header kit is intended for use as reverse-return.

1.1 Delivery

Remove all packing material and referring to Fig. 2 and Table 1 inspect the equipment to ensure that all parts are present and undamaged.

If in any doubt, DO NOT USE THE EQUIPMENT. Instead, contact HHL Technical Department.

Familiarise yourself with the parts and how they assemble together by referring to Figure 1.



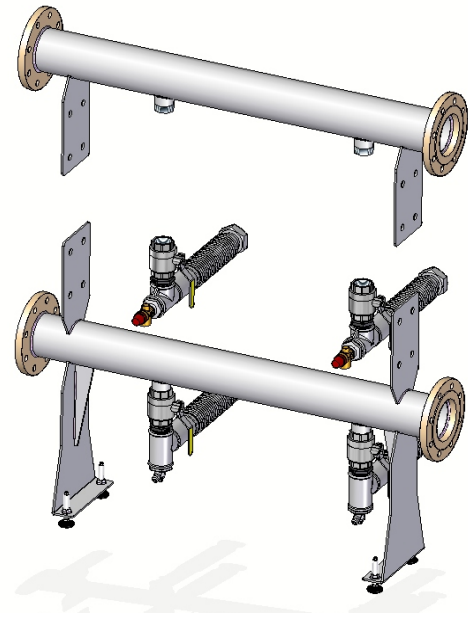
**Figure 1 - Reverse Return Assembly - General Overview
(PV70c, 95c, 110c 2 Boiler Assembly shown)**

2.0 ASSEMBLY INSTRUCTIONS

Note: To assemble the water pipe kit correctly the boilers must be butted up alongside one another. See dimensional drawings on pages 4 to 5.

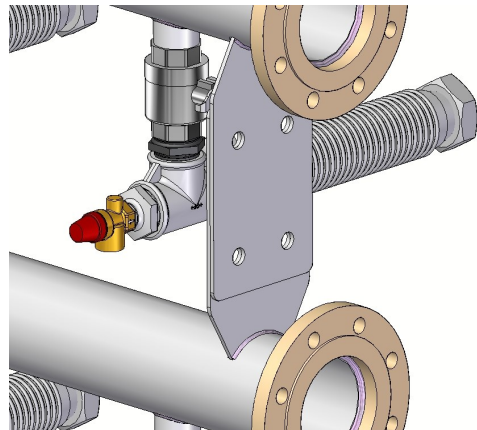
2.1.1 Ensure there is enough room around the boiler and that the pathway to the boilers are free and clear from obstructions before starting.

2.1.2 Remove all coverings of the pipes, ensure all parts are there and still attached to the pallet and the separate parts such as the ball valve, flexible hose etc. and attach in the configuration shown.

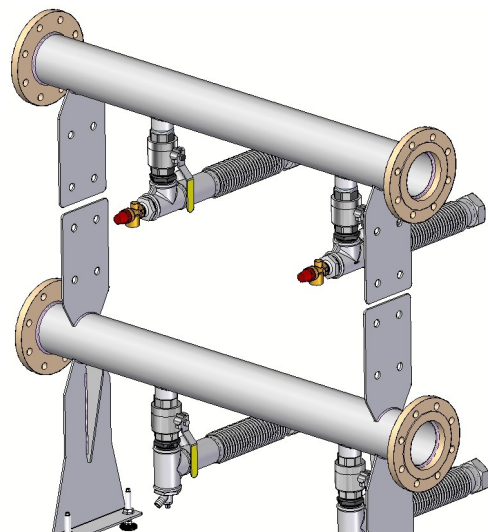


2.1.3 Detach the upper section of the pipe work from the pallet and move into position for either the 70c, 95c, 110c boiler arrangements by attaching it to the lower section holes (see figure 2.2.1)

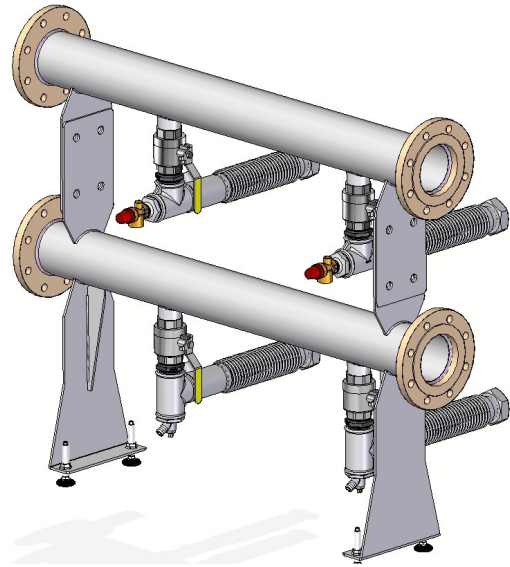
2.1.4 Or attach to the upper section holes for 140c and 180c arrangement boilers. (see figure 2.2.2)



2.1.5 Bolt the two headers together using the fixings supplied.



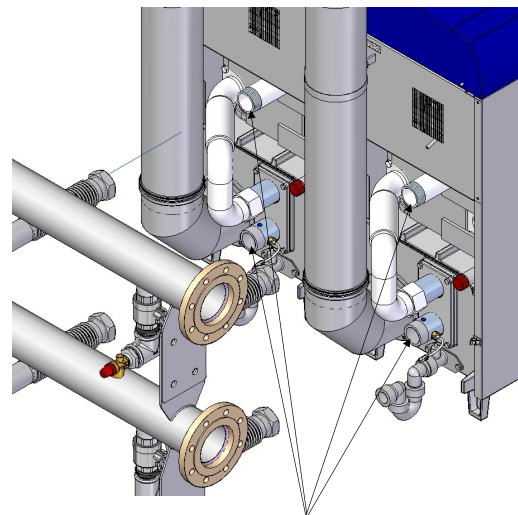
2.1.6 Ensure all pipe work and connectors are fully secured before moving the pipe work towards the boiler. Ensure the feet are located in the correct position and they are adjustable. It is recommended if there is enough room available to move the pipe work while still attached to the pallet; for ease of adjustment of the pipe works feet and to protect pipe work from damage.



2.1.7 Using a suitably rated hoist, raise the assembly to approximate finished height, gently lower the hoist until the feet touch the floor, adjust the feet (using the hoist to take the weight) till the flexible hose mounting points are aligned with the flow and return points on the boiler.

2.1.8 Keeping assembly safely balanced on the hoist, adjust all pipes into the adaptors $\pm 5\text{mm}$ until a satisfactorily level assembly has been achieved, **then remove the red caps & secure all adaptors.**

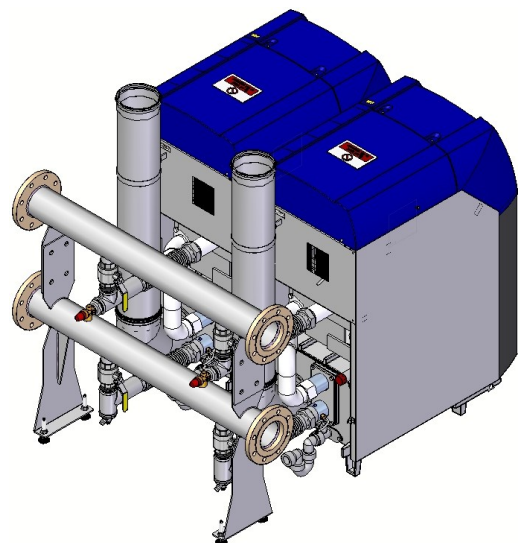
Note: DO NOT overtighten the adaptors as this may damage the seals.



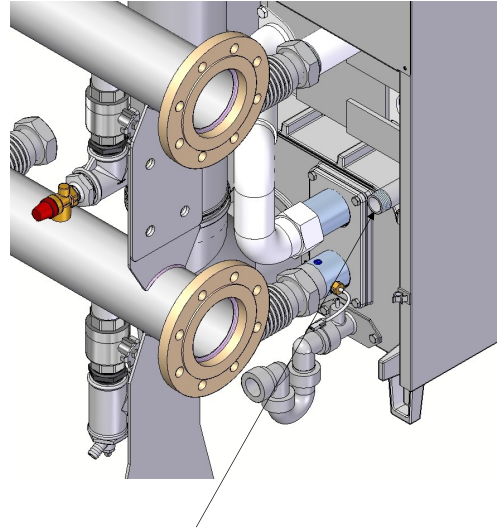
Remove Red Caps

2.1.9 Remove the pallet (if used)

2.1.10 Release the hoist and remove.



2.1.11 Once connected confirm that the pipe work is correctly connected, the end flange plates are securely fitted and that access to the gas pipe is available.

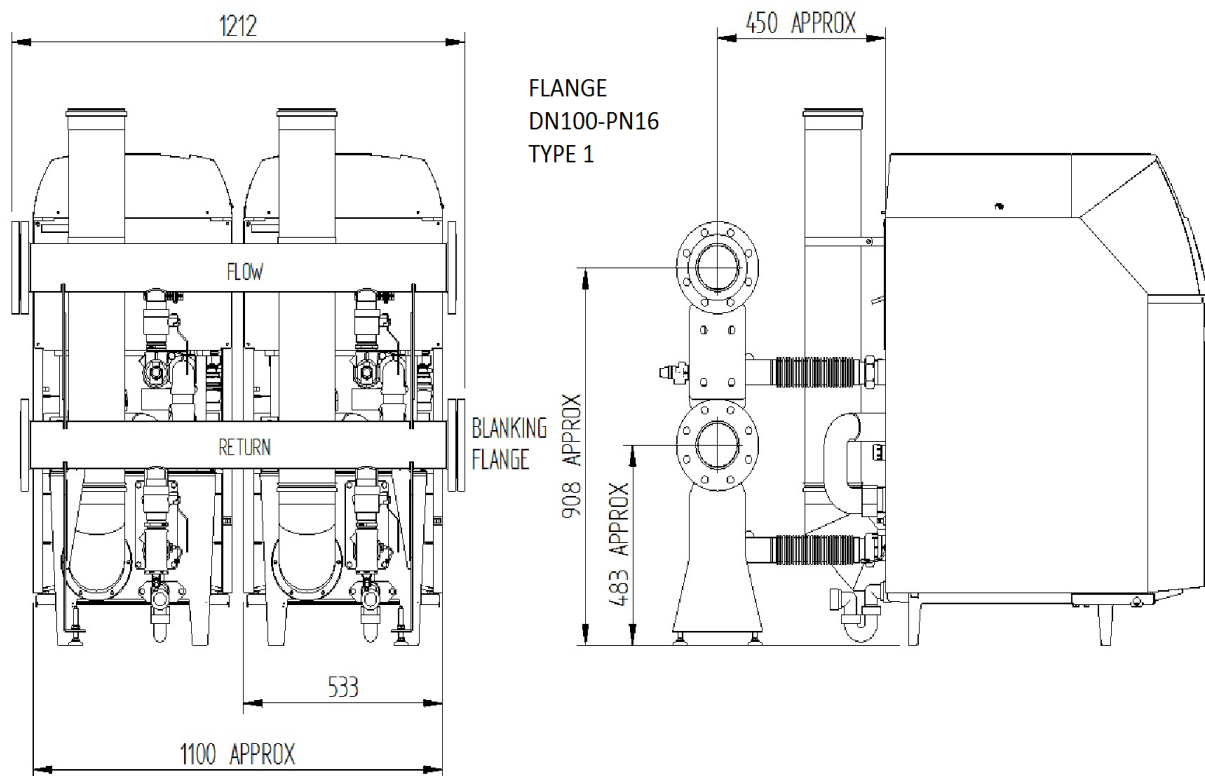


Gas Pipe

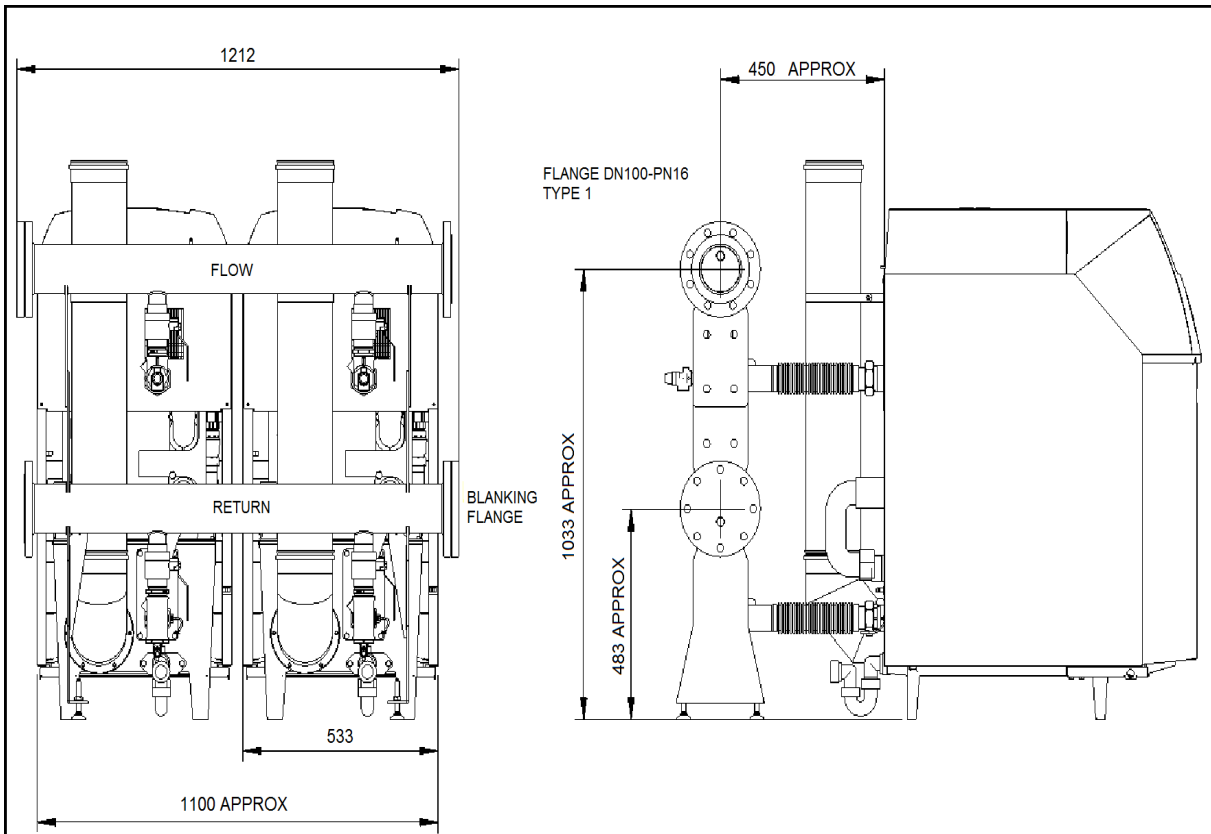
2.1.12 The assembly is now complete. Test pipework for leaks then connect gas and water pipes to the gas supply and heating system.

NOTE: The gas supply manifold / pipework must be adequately sized acknowledging the maximum volume of gas flow.

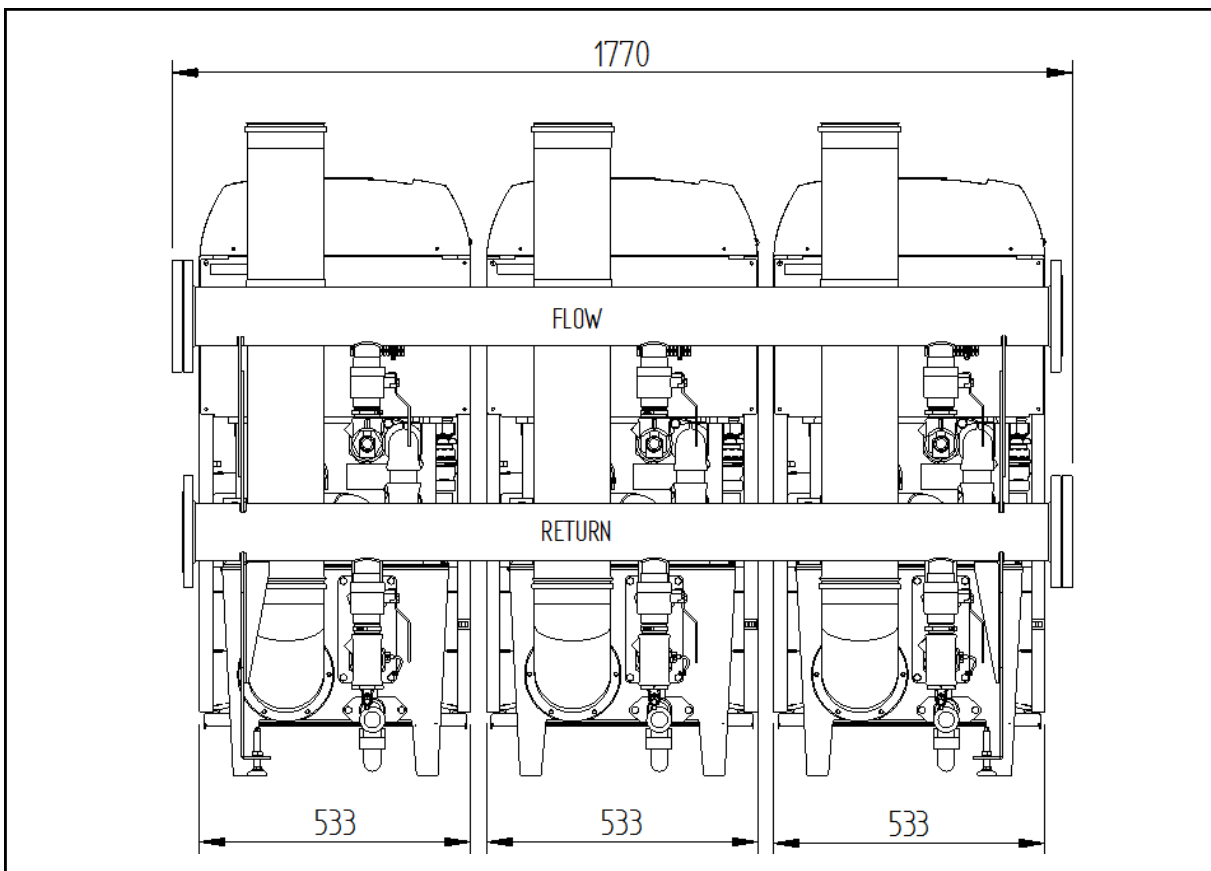
Dimensional Overviews



2.2.1 Dimensional Overview - 2 Boiler Model 70c, 95c, 110c

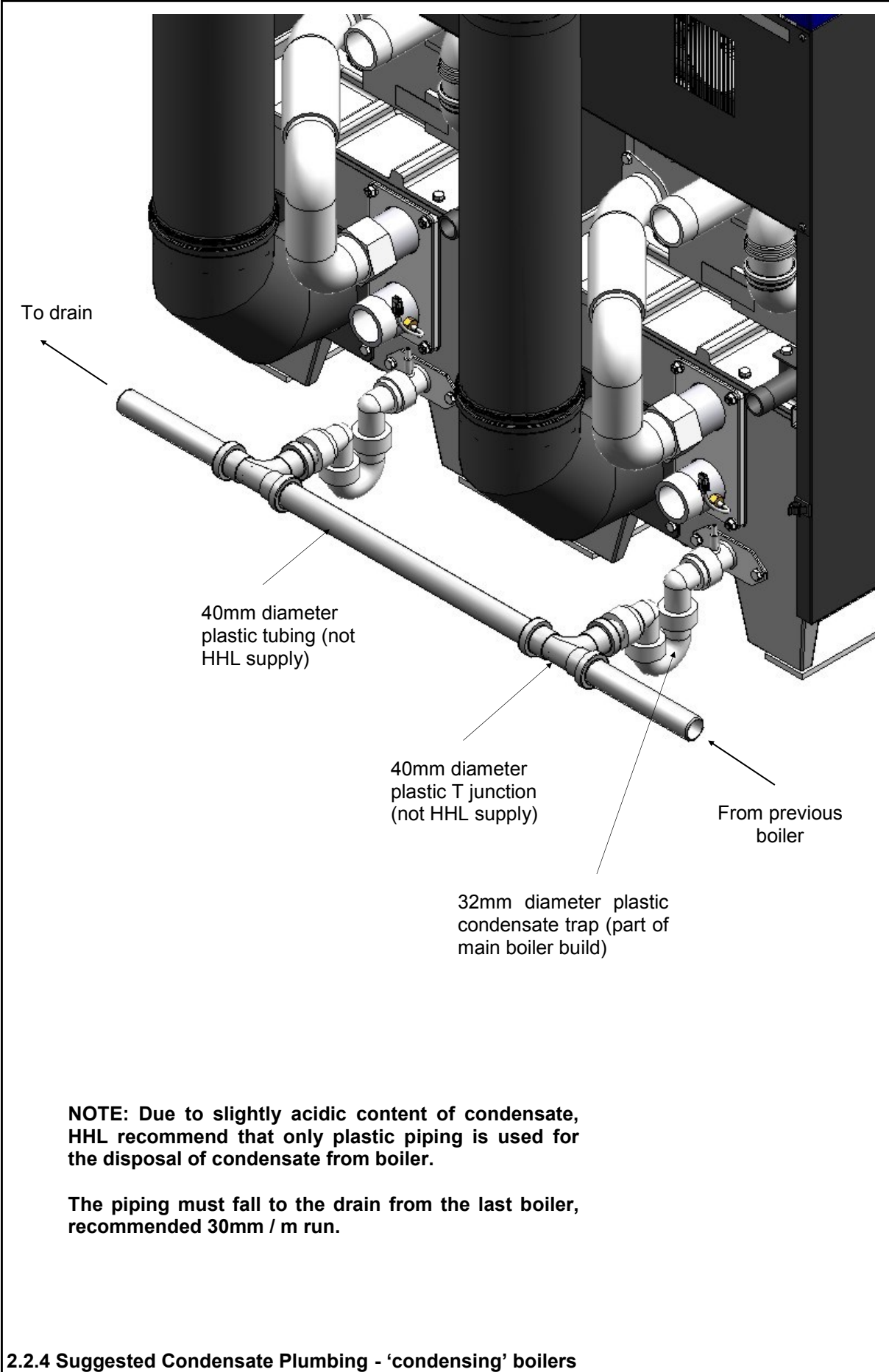


2.2.2 Dimensional Overview - 2 Boiler Model 140c & 180c

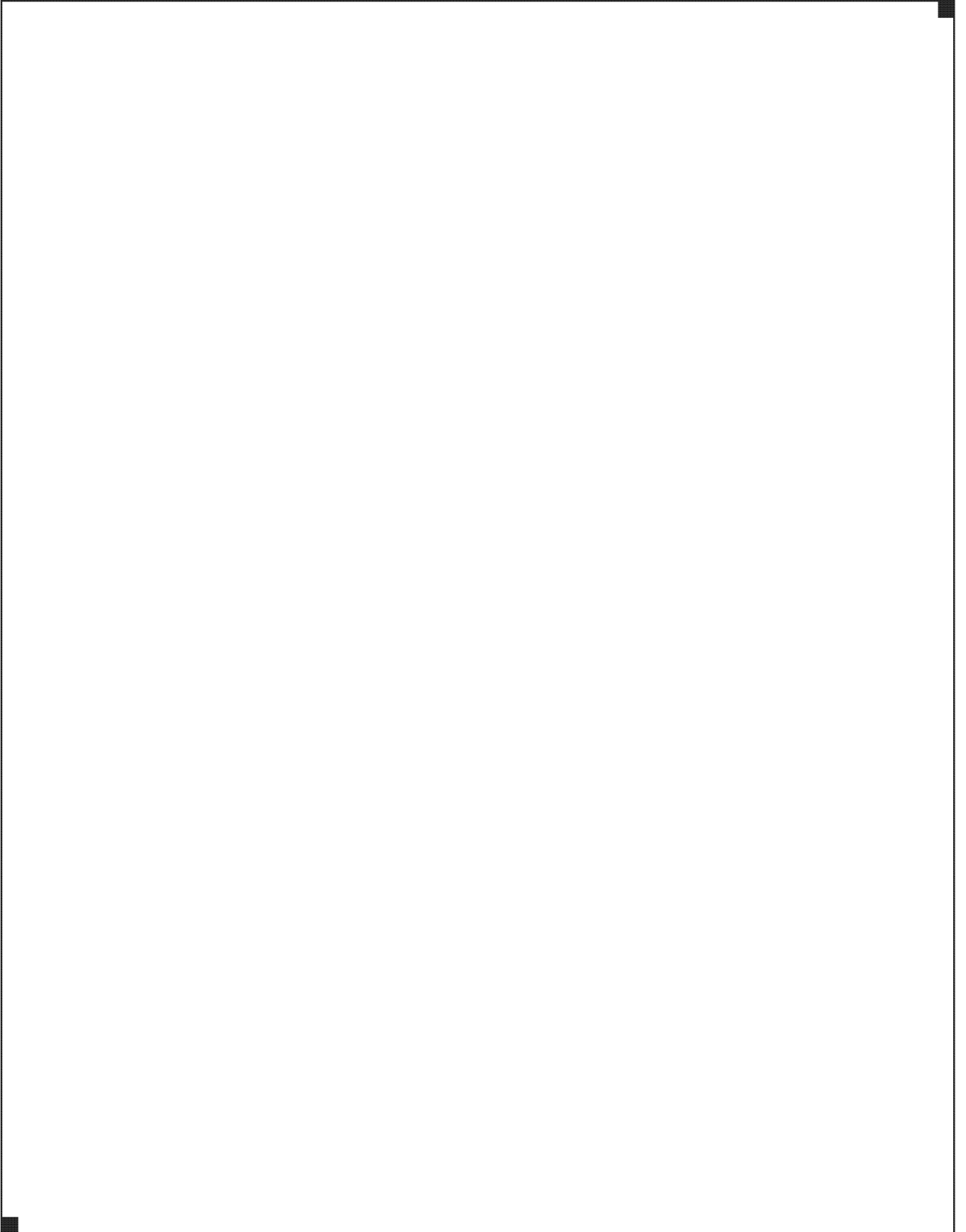


Note: Other Dimensions same as previous Boiler Arrangement (see above & left)

2.2.3 Dimensional Overview - 3 Boiler Model 70c, 95c, 110c, 140c and 180c



Notes



Hamworthy Heating Accredited Agents

Southern Ireland (Sales & Service)

HEVAC Limited
Naas Road, Dublin 12, Ireland
tel: **00 353 141 91919** fax: **00 353 145 84806**
email: **info@hevac.ie**

Scotland (Sales & Service)

McDowall Modular Services
2 Penson Road, Queenslie Industrial Estate, Glasgow, G33 4AG
tel: **0141 336 8795** fax: **0141 336 8954**
email:
MMS.McDowallModularServices@hamworthy-heating.com

Northern Ireland (Sales & Service)

HVAC Supplies Limited
Unit A6, Dargan Court, Dargan Crescent, Belfast BT3 9JP
tel: **028 9077 7737**
email: **hvacsupplies@btconnect.com**

North East England (Service)

Allison Heating Products
12 Sunnyside Lane, Cleadon Village, Sunderland SR6 7XB
tel: **0191 536 8833** fax: **0191 536 9933**
email: **allison.heating@gmail.com**

Hamworthy Heating Customer Service Centre

Sales

tel: **01202 662552**
email: **sales@hamworthy-heating.com**

Technical Enquiries

tel: **01202 662505**
email: **technical@hamworthy-heating.com**

Servicing

tel: **01202 662555**
email: **service@hamworthy-heating.com**

Spares

tel: **01202 662525**
email: **spares@hamworthy-heating.com**

British engineering excellence from Hamworthy Heating;
the commercial heating and hot water specialists.



Customer Service Centre

Hamworthy Heating Limited,
Wessex House,
New Fields Business Park,
Stinsford Road,
Poole,
Dorset,
BH17 0NF

Telephone: **01202 662500**
Fax: **01202 662522**
Email: **service@hamworthy-heating.com**
Website: **www.hamworthy-heating.com**