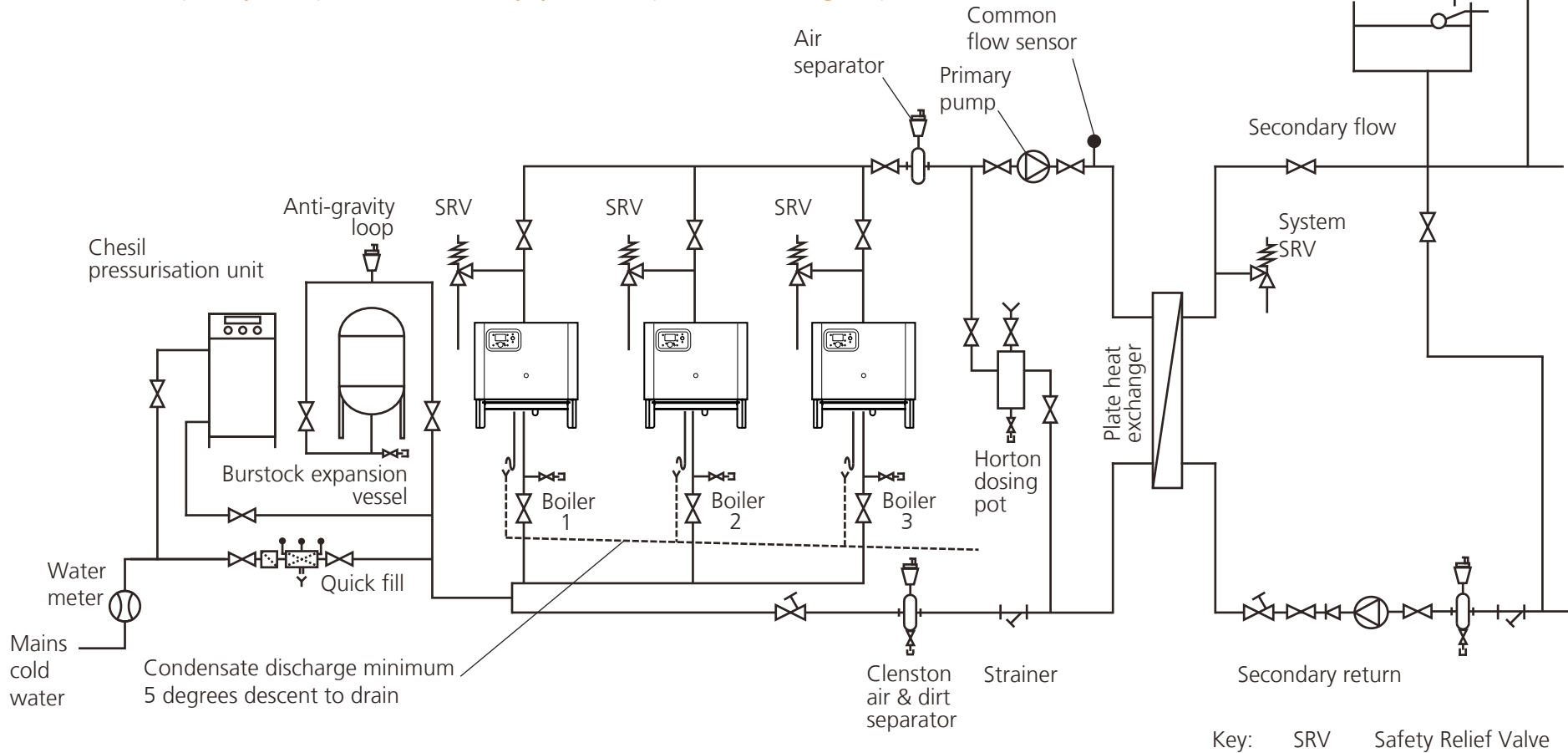


Wessex ModuMax mk3 - Hydraulic scheme 2

Scheme 2: Sealed primary and open vented secondary system with plate heat exchanger separation



Note: These schematics have been provided for reference only.

