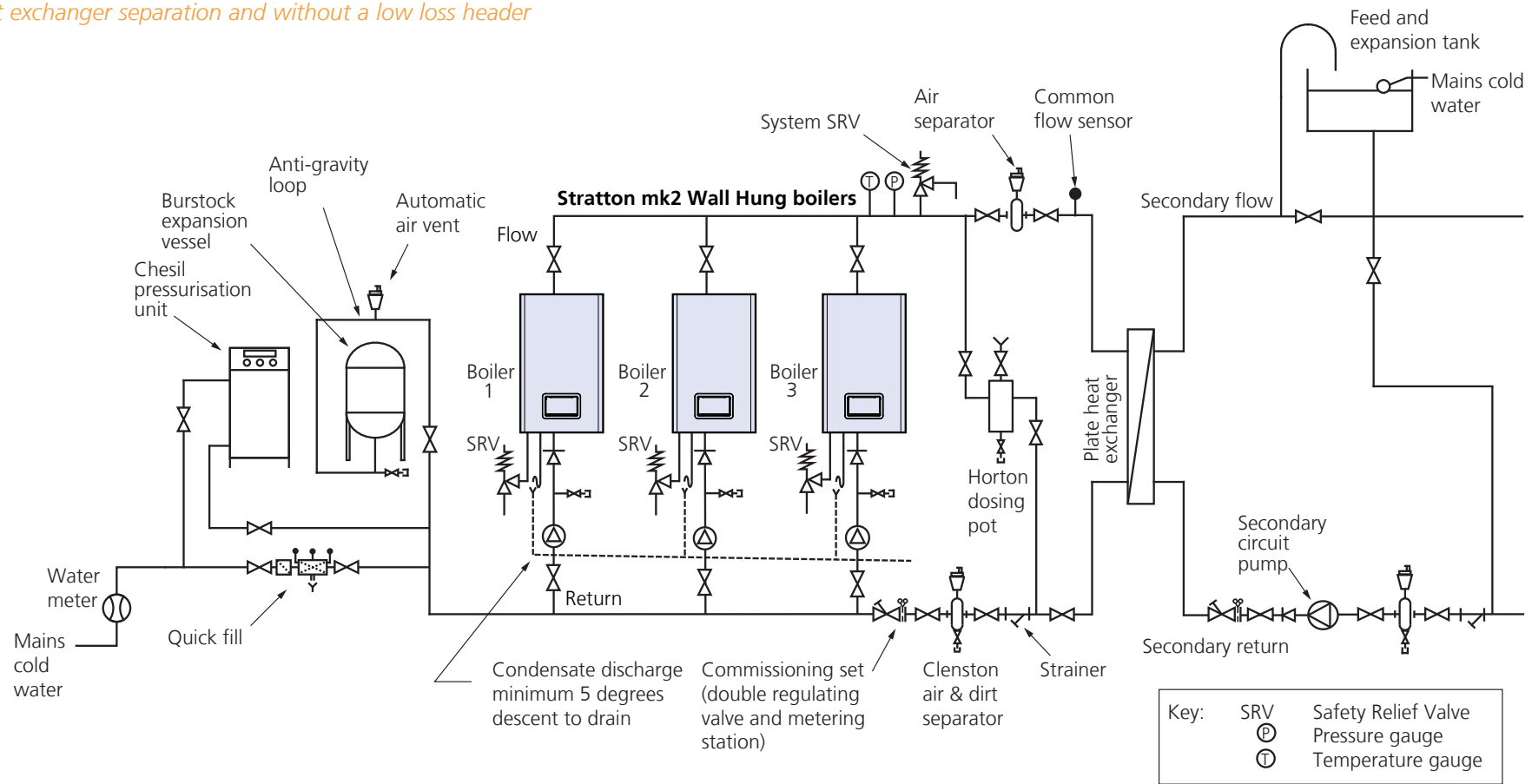


Hydraulic scheme 2

Scheme 2: Sealed primary and open-vented secondary system with plate heat exchanger separation and without a low loss header



Note: These schematics have been provided for reference only.

