

Varmax Boilers

Models: 120 to 600 kW

INSTALLATION, COMMISSIONING AND SERVICING INSTRUCTIONS

IMPORTANT NOTE

**THESE INSTRUCTIONS MUST BE READ
AND UNDERSTOOD BEFORE INSTALLING,
COMMISSIONING, OPERATING OR
SERVICING EQUIPMENT**



Customer After Sales Services

Telephone: 01202 662555 E-mail: service@hamworthy-heating.com Fax: 01202 662522

Technical Enquiries

To supplement the detailed technical brochures, technical advice on the application and use of products in the Hamworthy Heating range is available from our technical team in Poole and our accredited agents.

Site Assembly

Hamworthy offer a service of site assembly for many of our products where plant room access is restricted. Using our trained staff we offer a higher quality of build and assurance of a boiler built and tested by the manufacturer.

Commissioning

Commissioning of equipment by our own engineers, accredited agents or specialist sub-contractors will ensure the equipment is operating safely and efficiently.

Service Contracts

Regular routine servicing of equipment by Hamworthy service engineers inspects the safety and integrity of the plant, reducing the risk of failure and improving performance and efficiency. Service contracts enable you to plan and budget more efficiently.

Breakdown service, repair, replacement

Hamworthy provide a rapid response breakdown, repair or replacement service through head office at Poole and accredited agents throughout the UK.

Spare Parts

We offer a comprehensive range of spare parts, providing replacement parts for both current and discontinued products. Delivery options are available to suit you. Please refer to our website for more details.

CONTENTS

1. WARNINGS AND RECOMMENDATIONS.....	5
1.1. Transport and storage	5
1.2. Symbols used in this document.	5
1.3. Qualification of personnel for installing, adjusting, using and maintaining the equipment.....	5
1.4. Safety instructions.....	5
1.5. Water characteristics.....	6
2. APPROVALS	9
2.1. Compliance with European Directives	9
2.2. Regulatory installation conditions.....	9
2.3. Gas category.....	9
2.4. Gas supply pressures	10
3. TECHNICAL SPECIFICATIONS	12
3.1. Dimensions	12
3.2. Doorways	14
3.3. Reduced access (depending on model).....	15
3.4. Combustion at 15°C and 1013 mbar.....	16
3.5. Conditions of use	18
3.6. Electrical connection	18
4. INSTALLATION	19
4.1. Handling and moving the boiler	19
4.2. Installation of the air filter and filter matting.....	19
4.3. Installing the boiler	20
4.4. Opening / closing of casing doors	21
4.5. Removing the control panel (MMI).....	21
4.6. Removing / refitting the casing doors.....	22
4.7. Removing / refitting side panels.....	23
4.8. Removing / refitting the top panel	23
4.9. Step.....	24
4.10.Changing the gas type (G20 to G31).....	25
4.11.Exhaust connection	27
4.12.Hydraulic connection.....	36
4.13.Gas connection	40
4.14.Electrical connection	41

5. COMMISSIONING	45
5.1. Unlocking the boiler.....	45
5.2. Pre-commissioning checks	45
5.3. Commissioning.....	46
6. POST-COMMISSIONING CHECK	47
6.1. Condensate removal	47
6.2. Gas supply	47
6.3. Full power cuts	47
7. MAINTENANCE OPERATIONS	48
7.1. Boiler draining	49
7.2. Verification of the boiler's environment.....	49
7.3. Replacing the air filter matting.....	49
7.4. Verification of ignition and ionisation electrodes	50
7.5. Siphon cleaning.....	51
7.6. Checking the combustion circuit's gas-tightness.....	51
7.7. Checking combustion quality	52
7.8. Setting the gas valve.....	53
7.9. Gas filter cleaning	56
7.10.Cleaning exchangers and changing seals.....	57
7.11.Cleaning the burner and changing the seals	59
8. END-OF-LIFE CYCLE OF THE APPARATUS	62
9. HYDRAULIC DIAGRAMS AND SETTINGS.....	63
9.1. Selection flow diagram	63
9.2. Symbols used in the diagrams	65
9.3. List of diagrams.....	65
9.4. Specific configurations when connecting to 0-10V outputs (Ux).....	122
10. LIST OF SPARE PARTS.....	126
11. TABLE OF CUSTOMER SETTINGS	139
12. ANNEX A.....	155

1. WARNINGS AND RECOMMENDATIONS

PLEASE READ THIS MANUAL CAREFULLY BEFORE INSTALLING, CARRYING OUT MAINTENANCE AND USING THE BOILER. IT CONTAINS IMPORTANT SAFETY INFORMATION.



INFORMATION:

VARMAX boilers are available with 2/3 tappings or 4 tappings. It is not possible to transform a version with 2/3 tappings into a version with 4 tappings and vice versa.

1.1. Transport and storage

The boiler:

- must be stored vertically in an environment where the temperature is between -20°C and +55°C, and where relative humidity is between 5% and 95%;
- must not be stacked,
- must be protected from humidity.

1.2. Symbols used in this document.



INFORMATION:

This symbol draws attention to comments.



WARNING:

Not following these instructions may lead to damage when installing or to other objects.



DANGER:

Not following these instructions may cause injuries and serious material damage.



DANGER:

Not following these instructions may cause electrocution.

1.3. Qualification of personnel for installing, adjusting, using and maintaining the equipment

Boiler installation, adjustment and maintenance operations must be conducted by a qualified and approved professional in accordance with prevailing local and national regulations. These operations may require work to be carried out with the power turned on and the casing doors (on the front of the boiler) open.

Basic utilisation operations must be carried out with the casing doors closed.

1.4. Safety instructions

- Always switch the boiler off and shut off the general gas supply before carrying out any work on the boiler.
- After performing work on the boiler (maintenance or breakdown), check that there are no gas leaks from the installation.

**DANGER:****If you smell gas:**

- Do not use a naked flame, do not smoke, do not turn on electrical contacts or switches.
- Cut off the gas supply.
- Air the premises.
- Look for the leak and repair it.

**DANGER:****If you see smoke:**

- Switch off the boiler.
- Air the premises.
- Look for the leak and repair it.

**DANGER:**

This boiler's earth bonding is ensured with connecting cables (green/yellow) and specific attachment screws. During any dismantling work, make sure you reconnect the cables concerned; it is **IMPERATIVE** to reuse the original attachment screws.

1.5. Water characteristics

The following rules apply as soon as the boiler is commissioned and remain valid until the product's end-of-life.

**DANGER:**

It is forbidden to use water containing glycol.

1.5.1. Preparation of the water circuit before commissioning the boiler

For all installation work (new or renovation), the water network pipes must be meticulously cleaned. The purpose of cleaning prior to commissioning is to remove germs and residues which are the cause of deposits.

In new installations in particular, residue from grease, oxidised metal and even copper micro deposits must be removed.

In renovated installations, cleaning should focus on removing sludge and the products of corrosion formed when the unit was last in operation.

There are two types of methods for cleaning and removing sludge: a high intensity approach that takes a few hours and a slower, more gradual approach that takes several weeks. This first type of cleaning must be done before connecting the new boiler, and with the second type, a filter should be installed on the back of the boiler to capture loosened deposits.

Cleaning prior to commissioning helps to improve the equipment's performance, reduce energy consumption and fight against scaling and corrosion. This operation must be done by a professional (water treatment).

1.5.2. **Protecting the unit against scaling**

Water naturally contains dissolved calcium ions and carbonates that cause scaling (calcium carbonate) to form. To prevent excessive deposits, take precautions with regard to the water used to fill the unit **TH < 10°f**

Water must be added during the life of the boiler. The new water adds scaling to the water system. The amount of fill water and the amount of make-up water added throughout the unit's lifecycle must not be more than three times the water capacity of the heating system. Also, the hardness of the make-up water must be controlled. Make-up water: **TH < 5°f**

Adding a large amount of untreated water always contributes a significant amount of scaling. To monitor this and to detect problems, a system water meter must be installed.

Failure to comply with these guidelines (such that the fill water plus the make-up water is more than three times the water capacity of the heating system) requires a full cleaning (to remove sludge and scaling) to be performed.

Additional precautions are required for operation:

- When the unit has a water softener, the equipment must be inspected on a regular basis in order to ensure that it is not outputting chloride-rich water into the system. The concentration of chlorides must always remain below 50 mg/litre.
- To prevent the build-up of calcium deposits (such as on exchange surfaces), the unit should be brought into service slowly, starting by operating at a low power with high primary water flow.
- When the tap water lacks the desired qualities (e.g. high level of hardness), water treatment is required. The fill water must be treated, and whenever new water is added, the make-up water must also be treated.
- Installations with multiple boilers require all of the boilers to be started simultaneously at minimal power. Doing this prevents the calcium in the water from depositing on the exchange surfaces of the first boiler.
- When working on the unit, avoid draining it completely; only the required parts of the system are to be drained.

The rules listed above are designed to minimise scaling on the exchange surfaces and thus to increase the life of the boilers.

To optimise the equipment's operation, remove lime scale deposits. This must be done by a specialised company. Also, before putting the unit into service, verify that the heating system is not damaged (e.g. leaks). If it has excessive scaling, the unit's settings for operation and for water treatment must be adjusted.

1.5.3. **Protecting steel and stainless steel boilers against corrosion**

Corrosion can affect the iron components used in boilers and heating systems, which is directly related to the presence of oxygen in the water heater's water. Dissolved oxygen that enters the unit when it is being filled for the first time reacts with the equipment materials and quickly disappears. Without refreshing the oxygen through significant contributions of water, the unit might not experience any damage whatsoever.

However, it is important to follow the sizing rules and installation guidelines in order to prevent oxygen from continuously flowing into the heating water.

These rules include:

- Opt for an expansion vessel with a membrane rather than an open expansion vessel that allows direct passage.
- Make sure pressure in the equipment is more than 1 bar when cold.
- Remove non-gas-tight components (permeable) and use gas-tight equipment instead.

If the guidelines above are followed, the unit's system water has the proper characteristics to last a long time: $8.2 < \text{pH} < 9.5$ and concentration in dissolved oxygen < 0.1 mg/litre.

If there is a chance that oxygen could enter the unit, you must take additional precautions. Adding an oxygen scavenger (e.g. sodium sulphite) is highly recommended. We recommend you contact specialised companies for water treatment issues, which will be able to suggest:

- the appropriate treatment based on the characteristics of the installation,
- a monitoring and performance warranty contract.

For units in which the water comes into contact with heterogeneous materials, such as copper or aluminium, appropriate treatment is recommended in order to ensure that the unit will last. In most cases, this consists of adding corrosion inhibitors (in the form of chemical solutions) to the unit. It is recommended to contact water treatment specialists.

1.5.4. Unit monitoring

If the above recommendations are followed (new installation or renovation), it should be sufficient to:

- check the amount of make-up water (fill water volume + make-up water volume < 3 times the unit volume).
- check the pH level (stable or slightly increasing).
- check the TH (stable or slightly decreasing).

We recommend these checks are carried out 2 to 3 times a year. Note that monitoring the quantity of make-up water is critical to the long life of the unit. If any of these three parameters deviates from the above recommendations, refer to a water treatment specialist to correct the problem.

1.5.5. Installation of the plate exchanger

If the recommendations above cannot be met, you can set up a plate exchanger to separate the primary system from the secondary system, which protects the boiler from undesirable effects.

1.5.6. Installation of a filtration system

A filtration system (filter, sediment well, etc.) on the back of the boiler is recommended in order to remove suspended particles from the unit.

2. APPROVALS

2.1. Compliance with European Directives

- Low voltage (2014/35/UE)

This appliance is not intended for use by persons (including children) whose physical, sensory or mental abilities are reduced, or persons without experience or knowledge, unless they have been able to benefit, through someone responsible for their safety, from supervision or prior instruction concerning the use of the appliance.

Children must be supervised to ensure they do not play with the appliance.

- Electromagnetic compatibility (2014/30/UE)

- Gas appliances (2016/426/UE)

- Efficiency (92/42/CEE) until 26/09/2015

- Eco-design (2009/125/EC): from 26/09/2015

In application of the directive and according to the requirements of the EU regulation No. 813/2013 of 02 August 2013, the technical parameters of condensation boilers with a power of less than or equal to 400 kW are available in appendix A.

- WEEE (2012/19/UE)

Waste Electrical and Electronic Equipment. See chapter 8.

2.2. Regulatory installation conditions

The appliance must be installed by an approved professional in accordance with regulations and current professional practices.

2.3. Gas category

This boiler has been adjusted in the factory to work with **group H (type G20) natural gas with a supply pressure of 20 mbar.**



INFORMATION: Any work on a sealed element leads to loss of warranty.

		Category	
		DK, EE, FI, HU, LV, NO, SE, TR	CZ, GR, GB, IE, LT, RO, SI, SK
VARMAX 120 to 225	B23 - B23 P	I _{2H}	II _{2H3P}
	C13 - C33 - C53		I _{2H}
VARMAX 275 to 320	B23 - B23 P	I _{2H}	II _{2H3P}
	C53		I _{2H}
VARMAX 390 to 600	B23 - B23 P	I _{2H}	I _{2H}
	C53		

2.4. Gas supply pressures



INFORMATION: The pressures given below must be read at the gas valve inlet.

	Natural gas H G20 20 mbar	G31 Propane gas (for relevant models and countries only)
Nominal pressure (mbar)	20	37
Minimum pressure (mbar)	17	25
Maximum pressure (mbar)	25	45

3. TECHNICAL SPECIFICATIONS

3.1. Dimensions



INFORMATION :

The visuals below represent boilers with smoke nozzle and hydraulic connections (start / return) that can not be dismantled.

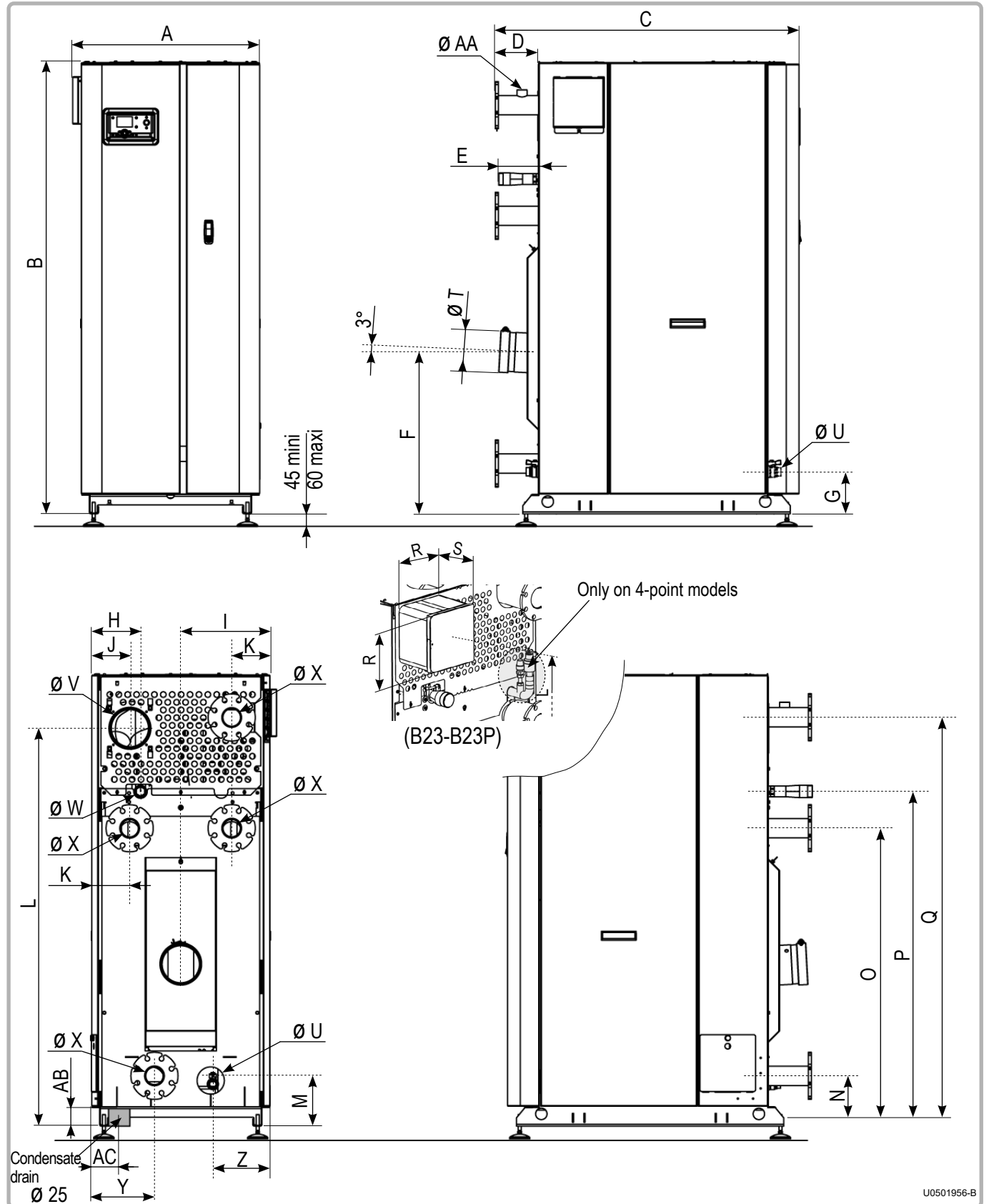


figure 1 - Dimensions

U0501956-B

		MODELS									
		120	140	180	225	275	320	390	450	525	600
A	(mm)	734	734	734	734	812	812	912	912	1161	1161
B	(mm)	1530	1530	1780	1780	1877	1877	2023	2023	2016	2016
C	(mm)	1181	1181	1202	1202	1328	1328	1372	1372	1588	1588
D	(mm)	148	148	169	169	171	171	168	168	208	208
E	(mm)	103	103	150	150	89	89	92	92	92	92
F	(mm)	510	510	630	630	680	680	750	750	750	750
G	(mm)	138,5	138,5	138,5	138,5	138,5	138,5	138,5	138,5	138,5	138,5
H	(mm)	115	115	192	192	241	241	274,5	274,5	390,5	390,5
I	(mm)	350,5	350,5	350,5	350,5	399,5	399,5	449,5	449,5	577,5	577,5
J	(mm)	150,5	150,5	150,5	150,5	200	200	209,5	209,5	325,5	325,5
K	(mm)	166,5	166,5	150,5	150,5	179	179	192	192	232	232
L	(mm)	1256	1256	1564	1564	1672	1672	1874	1874	1851,5	1851,5
M	(mm)	165	165	165	165	165	165	165	165	165	165
N	(mm)	182	182	197,5	197,5	196,5	196,5	206,5	206,5	196,5	196,5
O	(mm)	926	926	1171	1171	1265	1265	1402	1402	1402	1402
P	(mm)	1062	1062	1315	1315	1413	1413	1577,5	1577,5	1555	1555
Q	(mm)	1298	1298	1606	1606	1661	1661	1933	1933	1778	1778
R	(mm)	212	212	212	212	244	244	244	244	244	244
S	(mm)	163	163	163	163	163	163	183	183	183	183
Ø T(*): Smoke outlet	(mm)	150	150	150	150	180	180	200	200	200	200
Ø U: Purge connecting sleeve		G 1 "	G 1 "	G 1 "	G 1 "	G 1 "	G 1 "	G 1 "	G 1 "	G 1 "	G 1 "
Ø V(*): Air inlet	(mm)	150	150	150	150	180	180	180	180	180	180
Ø W: Gas connecting sleeve G20 G31		R 1 " 1/4 R 1 " 1/4	R 1 " 1/4 R 1 " 1/4	R 1 " 1/2 R 1 " 1/2	R 1 " 1/2 R 1 " 1/2	R 2 " R 2 "	R 2 " R 2 "	R 2 " --	R 2 " --	R 2 " --	R 2 " --
Ø X: Out / In connecting sleeve		Mail thread R 2 "	Mail thread R 2 "	Flange PN16 DN 65	Flange PN16 DN 65	Flange PN16 DN 80	Flange PN16 DN 80	Flange PN16 DN 80	Flange PN16 DN 80	Flange PN16 DN 80	Flange PN16 DN 80
Y	(mm)	250,5	250,5	246	246	276	276	289,5	289,5	328,5	328,5
Z	(mm)	237	237	224,5	224,5	270,5	270,5	283,5	283,5	323,5	323,5
Ø AA: Valve connecting sleeve		G 1 "	G 1 "	G 1 "	G 1 "	1 " 1/4	1 " 1/4	G G 1 " 1/4	G G 1 " 1/4	G 1 " 1/4	G 1 " 1/4
AB	(mm)	≈ 130	≈ 130	≈ 130	≈ 130	≈ 130	≈ 130	≈ 130	≈ 130	≈ 136	≈ 136
AC	(mm)	≈ 110	≈ 110	≈ 110	≈ 110	≈ 110	≈ 110	≈ 120	≈ 120	≈ 196	≈ 196

(*) The diameter indicated is the inside diameter (only for Ø T and Ø V).

3.2. Doorways

VARMAX 120 to 225 boilers fit through doors 700 mm wide with the casing on (boiler with doors and side jackets).

VARMAX 275 to 320 boilers fit through doors 735 mm wide without the casing on (boiler without doors, without side jackets and without side insulating panels).

However, it is possible to pass through the 700 mm doors if the following parts are removed, in addition to the parts mentioned above:

- the two inspection doors with their 16 fastening clamps,
- the two lower hinge lugs of the front housing doors (with the step),
- the two upper hinge lugs of the front housing doors (with the step),
- all the cable clamps at the inlet of the high- and low- current wiring gutter.

VARMAX 390 to 450 boilers fit through doors 800 mm wide without the casing on, which means that the following parts must be removed:

- the two front housing doors,
- the side insulating jackets,
- the side insulating panels
- the two lower hinge lugs of the front housing doors (with the step),
- the two upper hinge lugs of the front housing doors (with the step),
- all the cable clamps at the inlet of the high- and low- current wiring gutter.

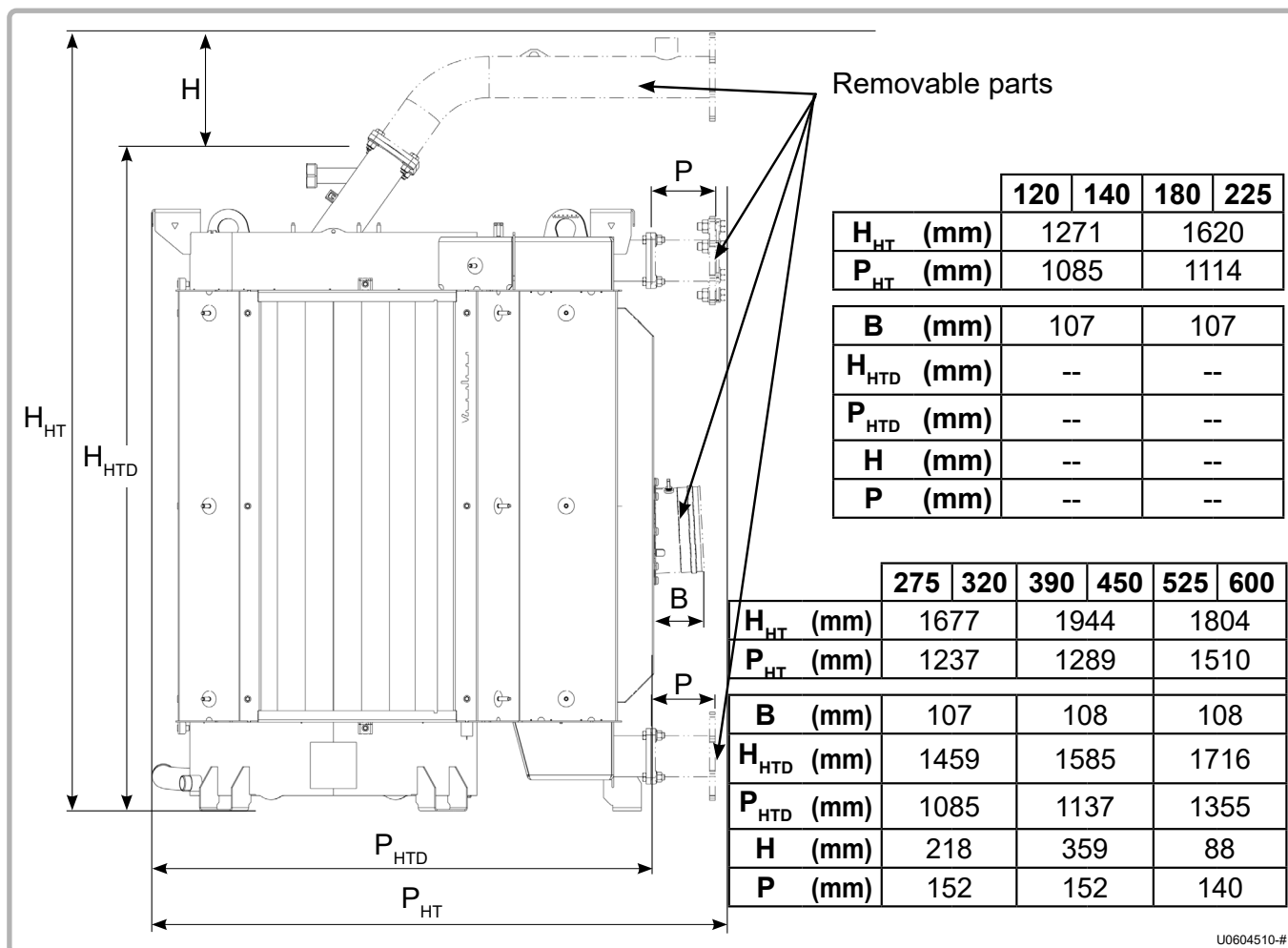
VARMAX 525 to 600 boilers fit through doors 1100 mm wide without the casing on, which means that the following parts must be removed:

- the two front housing doors,
- the side insulating jackets,
- the side insulating panels
- the two lower hinge lugs of the front housing doors (with the step),
- the two upper hinge lugs of the front housing doors (with the step),
- all the cable clamps at the inlet of the high- and low- current wiring gutter.

3.3. Reduced access (depending on model)

After the product is unpacked, the return tapping (models 275 to 600) and the gas nozzle (all models) may be removed.

After dismantling to the heating body, the outlet tapping (models 275 to 6050) may also be removed.



When putting the elements back, do not forget to check that the different seals are correctly position.

The tightening torques are:

- Gas nozzle = 12 Nm
- Outlet or return taps = 41 Nm

Check the seals:

- Water (outlet and return taps)
- Gas and condensation (nozzle)



IMPORTANT:

3.4. Combustion at 15°C and 1013 mbar

3.4.1. G20 Natural Gas

		MODELS									
		120	140	180	225	275	320	390	450	525	600
Nominal power Pn (80/60°C)	kW	117	136	175	219	268	312	381	439	513	586
Nominal power when condensing P (50/30°C)	kW	127	148	191	238	290	338	415	478	558	637
Nominal heat input Qn	kW	120	140	180	225	275	320	390	450	525	600
Minimum heat input Qmin	Q_n Q_{all} Q_{min} kW	28	28	43	43	66	66	87	87	120	120
Gas flow rate at Pn	Q_n Q_{all} Q_{min} m ³ /h	12,7 14,8	14,81 17,2	19,05 22,1	23,81 27,7	29,1 33,8	33,86 39,3	41,3 48,0	47,6 55,3	55,6 64,6	63,5 73,8
CO₂ value ranges	%	Qmin : 8,3 % < CO ₂ < 8,7 % Qmax : 8,8 % < CO ₂ < 9,2 %									
Flue-gas mass flow rate (80/60°C)	Q_n Q_{all} Q_{min} g/s	52,8 -- 13,0	61,3 -- 13,1	80,4 -- 20,8	99,5 -- 21,1	113,9 46,0 26,9	133,2 46,0 29,1	169,0 64,2 39,2	200,7 64,2 35,6	232,1 -- 55,5	262,4 -- 55,8
Flue-gas mass flow rate (50/30°C)	Q_n Q_{all} Q_{min} g/s	49,1 -- 12,3	57,6 -- 12,2	75,9 -- 19,5	93,0 -- 19,5	108,7 42,9 27,1	126,3 42,9 27,1	159,6 61,1 36,7	191,0 61,1 33,4	228,1 -- 55,8	255,6 -- 55,5
Flue-gas temperature (80/60°C)	Q_n Q_{all} Q_{min} °C	60,8 -- 56,9	62,1 -- 57,3	61,0 -- 56,6	62,3 -- 57,7	61,7 58,7 58,3	63,4 58,7 57,2	62,5 58,5 57,4	64,8 58,5 57,1	64,4 -- 57,8	66,6 -- 57,5
Flue-gas temperature (50/30°C)	Q_n Q_{all} Q_{min} °C	35,7 -- 28,8	37,7 -- 30,2	33,7 -- 30,0	36,9 -- 30,2	36,3 30,8 29,8	36,2 30,8 28,3	36,7 30,5 30,0	41,7 30,5 30,2	48,0 -- 33,1	47,8 -- 29,6
Appliance pressure at nominal Qcal (B23)	Pa	88	108	103	147	132	162	152	203	168,4	225,2
Inside diameter of flue-gas output	mm	150	150	150	150	180	180	200	200	200	200
Maximum allowable nozzle pressure (B23P) (80/60°C)	Q_n Q_{all} Q_{min} Pa	200 -- 5	200 -- 5	115 -- 5	165 -- 5	122 18 5	176 18 5	180 18 5	193 18 5	160 -- 5	200 -- 5
Maximum allowable nozzle pressure (B23P) (50/30°C)	Q_n Q_{all} Q_{min} Pa	166 -- 5	164 -- 5	92 -- 5	128 -- 5	97 16 5	145 16 5	155 16 5	173 16 5	183 -- 5	164 -- 5
Combustion air flow rate at Qn	m ³ /h	153,8	179,4	230,7	288,3	352,4	410,1	499,8	576,7	672,8	768,9
NOx class	6										
Flue-gas removal and air inlet type classifications	B23, B23P C13, C33, C53					B23, B23P C53					

3.4.2. G31 Propane Gas (for relevant models and destination countries)

		MODELS					
		120	140	180	225	275	320
Nominal power P _n (80/60°C)	kW	117	136	175	219	268	312
Nominal power when condensing P (50/30°C)	kW	127	148	191	238	290	338
Nominal heat input Q _n	kW	120	140	180	225	275	320
Minimum heat input Q _{min}	kW	39	39	63	63	90	90
Gas flow rate at P _n	m ³ /h	4,91	5,73	7,36	9,21	11,25	13,09
CO ₂ value ranges	%	Q _{min} : 9,8 % < CO ₂ < 10,2 % Q _{max} : 10,4 % < CO ₂ < 10,8 %					
Flue-gas mass flow rate (80/60°C)	Q _n	53,0	61,8	80,0	100,0	122,0	142,0
	Q _{all}	--	--	--	--	49,7	49,7
	Q _{min}	18,3	18,3	29,0	29,0	42,0	42,0
Flue-gas mass flow rate (50/30°C)	Q _n	50,2	58,7	80,0	96,0	117,0	136,0
	Q _{all}	--	--	--	--	47,6	47,6
	Q _{min}	17,3	17,3	28,0	28,0	39,0	40,0
Flue-gas temperature (80/60°C)	Q _n	60,3	62,6	60,3	62,2	63,0	65,4
	Q _{all}	--	--	--	--	58,8	58,8
	Q _{min}	56,7	56,7	57,1	57,6	58,0	58,4
Flue-gas temperature (50/30°C)	Q _n	34,6	37,1	37,1	37,0	40,0	41,4
	Q _{all}	--	--	--	--	30,8	30,8
	Q _{min}	30,6	28,9	31,0	29,4	29,0	30,5
Appliance pressure at nominal Q _{cal} (B23)	Pa	68	95	102	140	123	165
Inside diameter of flue-gas output	mm	150	150	150	150	180	180
Maximum allowable nozzle pressure (B23P) (80/60°C)	Q _n	167	200	103	136	118	157
	Q _{all}	--	--	--	--	19	19
	Q _{min}	12	8	4	24	11	11
Maximum allowable nozzle pressure (B23P) (50/30°C)	Q _n	140	169	66	104	104	138
	Q _{all}	--	--	--	--	17	17
	Q _{min}	16	11	7	7	16	13
Combustion air flow rate at Q _n	m ³ /h	153,8	179,4	230,7	288,3	352,4	410,1
NO _x class		6					
Flue-gas removal and air inlet type classifications		B23, B23P					

3.5. Conditions of use

		MODELS									
		120	140	180	225	275	320	390	450	525	600
Maximum start setting temperature	°C	85									
Minimum start setting temperature	°C	8									
Start maximum temperature	°C	92									
Safety temperature	°C	110									
Maximum service pressure	hPa (bar)	6000 (6)									
Minimum cold pressure	hPa (bar)	1000 (1)									
Hydraulic pressure loss at ΔT_{20} version with 2 or 3 tappings version with 4 tappings Main exchanger Condenser	daPa										
		600	750	570	810	820	1185	770	970	860	1070
		500	650	440	660	790	1060	660	840	720	930
		110	120	55	75	50	65	190	230	350	450
Nominal water flow rate (P/20)	m ³ /h	5,0	5,8	7,5	9,4	11,5	13,4	16,4	18,9	22,1	25,2
Maximal water flow rate (P/10)	m ³ /h	10,0	11,6	15,0	18,8	23,0	26,8	32,8	37,8	44,1	50,4
Water content	L	116	116	151	151	239	239	287	287	420	420
Weight without water	kg	340	340	393	393	502	502	592	592	800	800
Sound power at P_{max} (Lw) *	dB(A)	73		76		77		84		--	
Sound pressure at 1 m at P_{max} (Lp)	dB(A)	57		61		61		68		--	
Temperature of installation room (min. / max.)	°C	5 / 45									
Relative humidity of installation room		between 5% and 95%									
Protection level		IP20									
Maximum altitude of installation	m	2000									

* The sound power level is a laboratory measurement of the emitted sound power but contrary to the noise level, it doesn't correspond to the perceived measurement.

3.6. Electrical connection

		MODELS									
		120	140	180	225	275	320	390	450	525	600
Electrical supply	V	230 V AC (+10% -15%), 50Hz									
Electrical power consumption at Q_n (without accessories)	W	204	311	179	320	238	352	480	660	697	960
Electrical power consumption in standby mode	W	5								7	
Max length of sensor cables	m	DHW sensor: 10 External sensor: 40 in 0.5 mm ² (120 in 1.5 mm ²) Ambient thermostat: 200 in 1.5 mm ² Ambient sensor: 200 in 1.5 mm ²									
Power terminal output	V A	230V AC (+10%, -15%) 5 mA - 1A									

4. INSTALLATION

4.1. Handling and moving the boiler



DANGER:

Manipulation of the boiler using a hoist requires the use of a frame (not supplied). This is **COMPULSORY**.

The following indication is applicable only for the 525 and 600 kW models.



WARNING :

Before unpacking: the use of the pallet truck is provided on the side only.

After unpacking: it is recommended to use 2 pallet trucks, one at the front and the other at the back.

4.2. Installation of the air filter and filter matting



WARNING:

If connecting CHIMNEY B23 or B23P, it is **COMPULSORY** to fit the air filter supplied with the boiler.

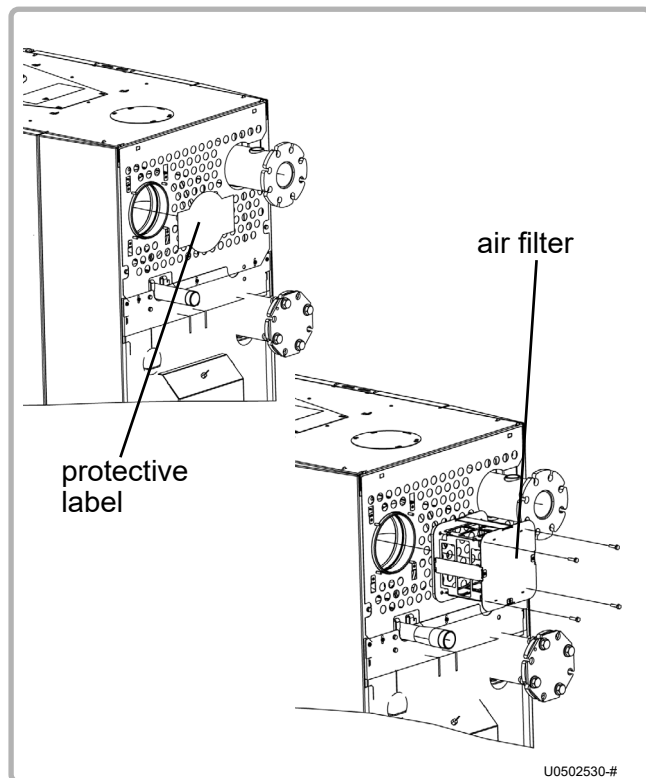


figure 2 - Air filter

- Remove the protective "air intake" label.
- Insert the air filter and attach it to the boiler using the 4 screws supplied with the filter.

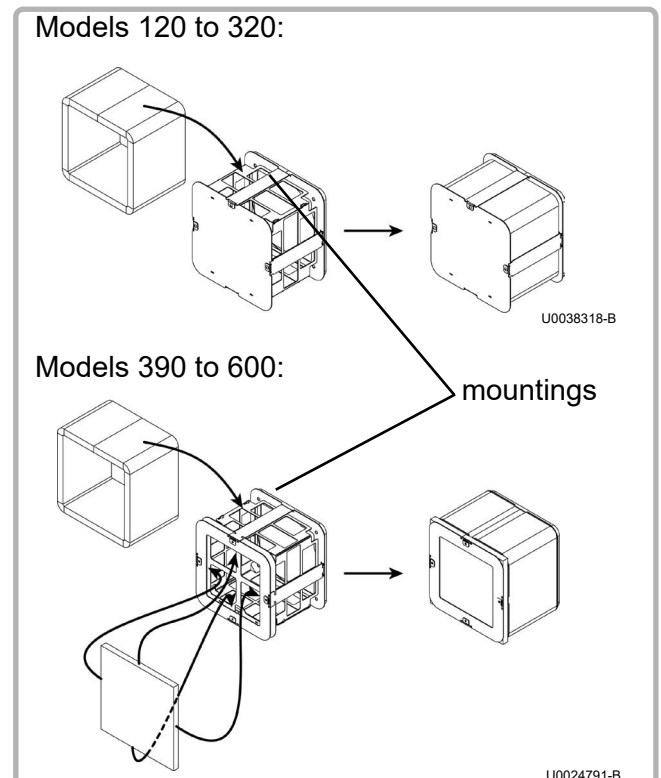


figure 3 - Filter matting

All models:

- Insert the rectangular filter matting between the filter's protective grille and the mounting (see opposite).

Ensure that the link between both ends of the matting is under one of the mountings.

Models 390 and 600:

- Insert the square filter cloth on the back gate of the filter.

4.3. Installing the boiler

VARMAX boilers must not be installed on an inflammable surface (wooden floor, plastic floor covering, etc.).

Recommended distances from walls and the floor:

Ensure there is sufficient clearance so that work may be carried out easily on the boilers.

The **minimum** values (in mm) are indicated in figure 4 and in the table below.

	A	B	C	D	H
MODELS	120	450	500		150
	140	450	500		150
	180	450	500		320
	225	450	500		320
	275	450	600	500	263
	320	450	600	500	263
	390	450	700	500	427
	450	450	700	500	427
	525	450	700	500	427
	600	450	700	500	427

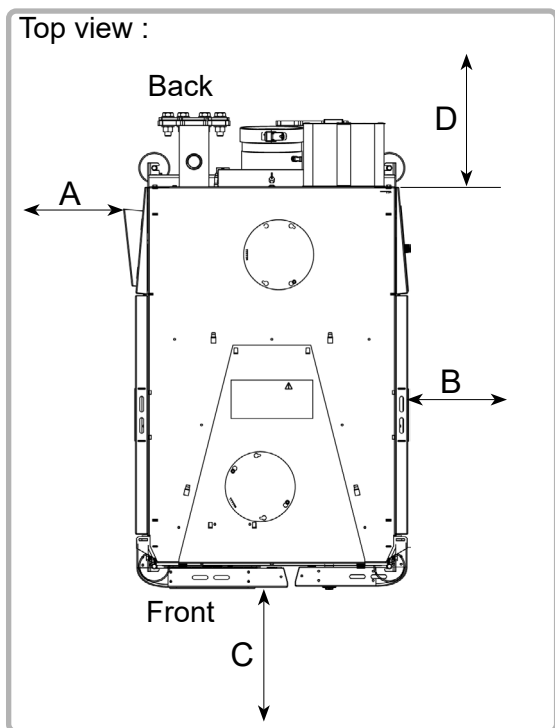


figure 4 - Peripheral clearance

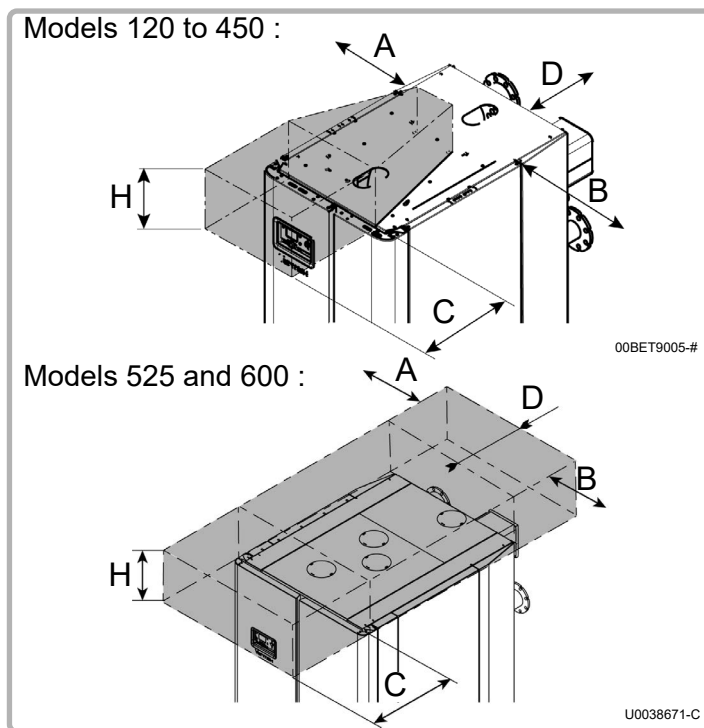


figure 5 - Specific clearances required for burner maintenance operations

The hashed zone above the boiler must remain free of obstacles to allow for inspections and cleaning of the burner.



WARNING:

A 2 cm free space must also be left above the side panels to allow for their disassembly and reassembly.

These values cannot be replaced by specific regulatory requirements.



WARNING:

The boiler must be positioned horizontally using a spirit level to promote effective ventilation of the heat exchanger (use the base as a reference surface).

To adjust the level, screw or unscrew the 4 adjustable feet as required using a 17 mm wrench.

4.4. Opening / closing of casing doors

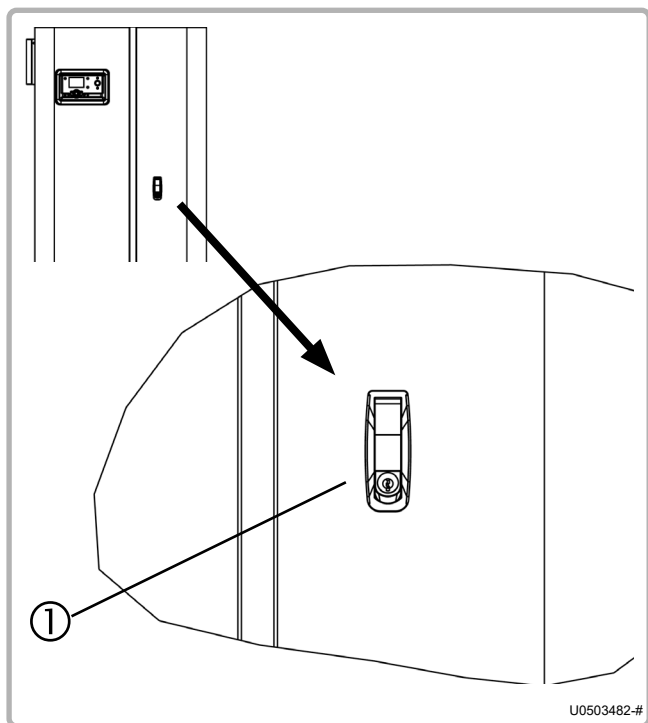


figure 6 - Opening casing doors

Opening:

Put the handle locking system in a horizontal position (mark 1) then press down on it.

The handle is released from its housing; you can now open the right-hand door, followed by the left-hand door.

Closing:

Close the left-hand door, followed by the right-hand door.

Press the door's lever.

Put the handle locking system in a vertical position (mark 1).

4.5. Removing the control panel (MMI)

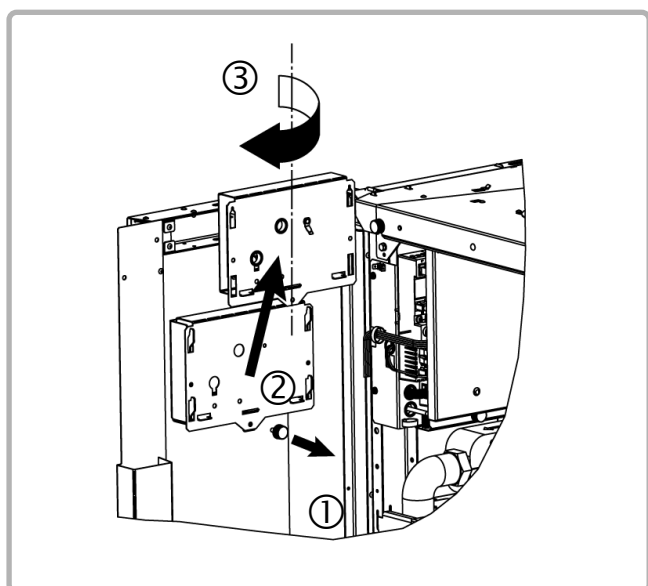


figure 7 - Unlocking the control panel

The control panel (MMI: Man Machine Interface) may be removed from the casing door to:

- remove the left-hand casing door;
- view the display when setting or carrying out maintenance work on the boiler;

Open the casing doors.

Remove the locking screw ① accessible on the back of the left-hand casing door.

You can:

- put the control panel back ②-③ in its place

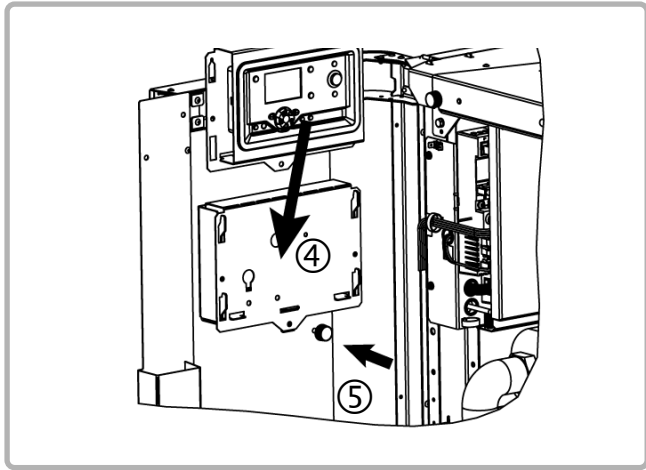


figure 8 - Positions of the control panel

- ④-⑤ (to view data displayed when adjusting or carrying out maintenance), or
- fit the control panel to the boiler (see opposite, so that the left-hand casing door can be removed without any risk to the control panel).

4.6. Removing / refitting the casing doors

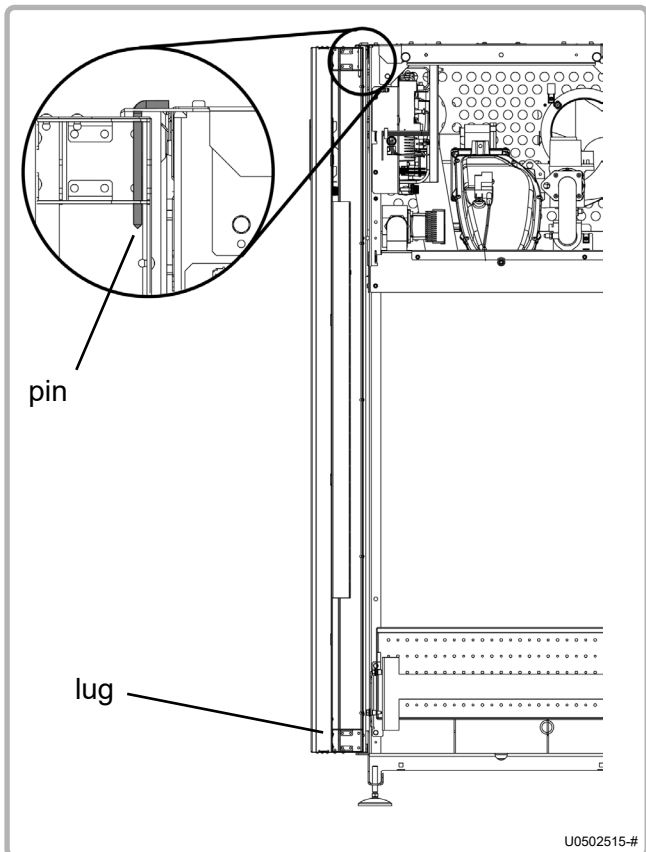


figure 9 - Removing casing doors

With the doors open, remove the pin on the top of the door to be removed.

Support the door during this operation because once the pin has been removed, the door is no longer attached to the boiler.

When refitting, firstly position the bottom of the door on the lug, and then the top, making sure to fully insert the pin into its housing.



WARNING:

Before removing the left-side casing door, do not forget to remove the control panel (see next paragraph).

4.7. Removing / refitting side panels

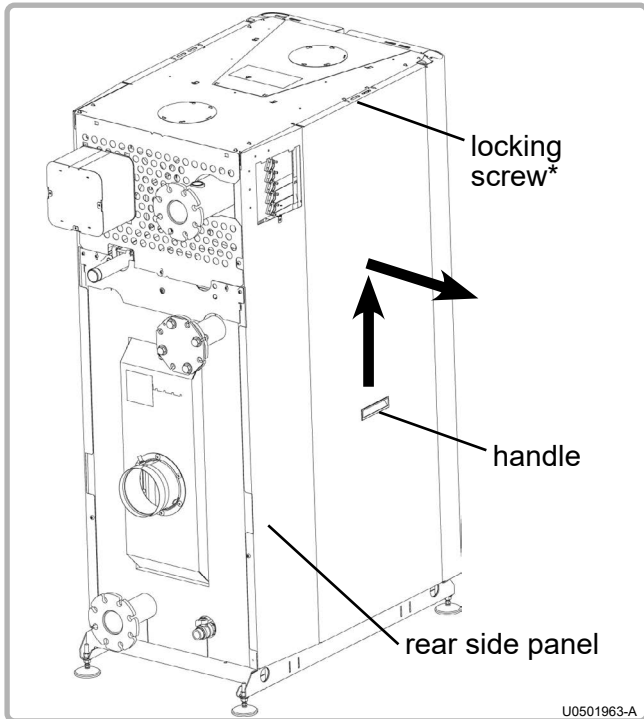


figure 10 - Removing side panels

Open the casing doors.

Remove the locking screw accessible via the inside of the boiler.

* For models 120 to 320 kW.

Use the handle in the centre of the panel for this.

Lift up the panel vertically and remove.

When refitting, re-fasten the locking screws from inside the boiler after fitting the panels.

Note: It may be necessary to remove the rear side panels in order to fit through doors. To do this, unscrew the fixing screws which hold the panel onto the boiler's structure and remove the panel.

4.8. Removing / refitting the top panel

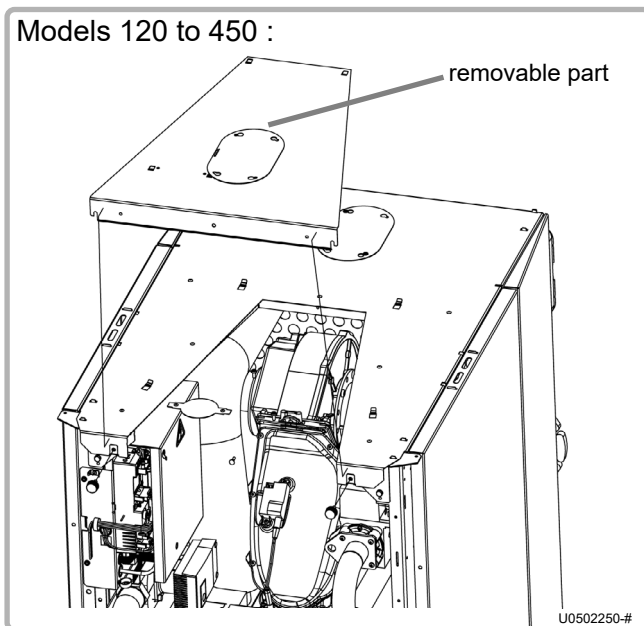


figure 11 - Removing the upper panel

Open the casing doors.

Loosen the 2 thumbscrews on the top of the boiler (1 or 2 turns will be enough. It is not necessary or recommended to unscrew them completely).

Slightly lift up the panel and remove it from the front.

To refit it, follow the procedure in reverse.

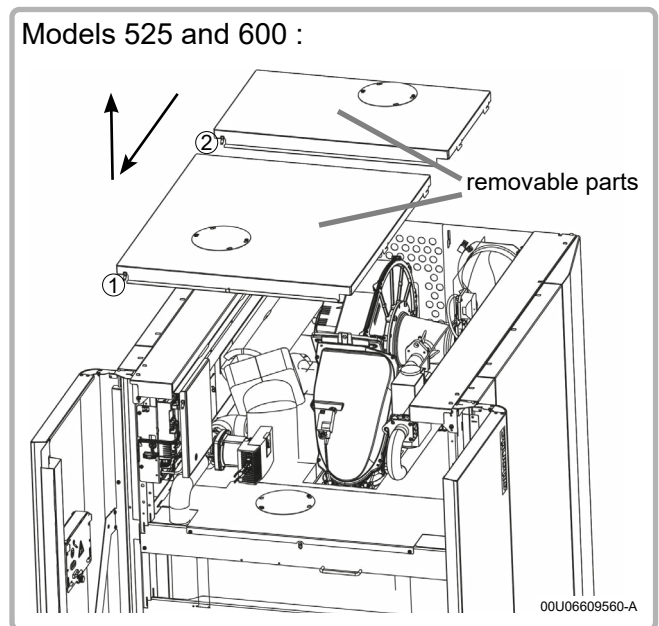


figure 12 - Disassembly of upper panels

Open the casing doors.

Remove the ground wire located on the front left of the panels. (① et ②)

Pull the first panel forward and lift it up to remove it. Do the same for the second panel.

To refit it, follow the procedure in reverse.

4.9. Step



WARNING:

The step is a means to access the burner. It cannot be used as a work platform.

There are steps on models 180 and above.

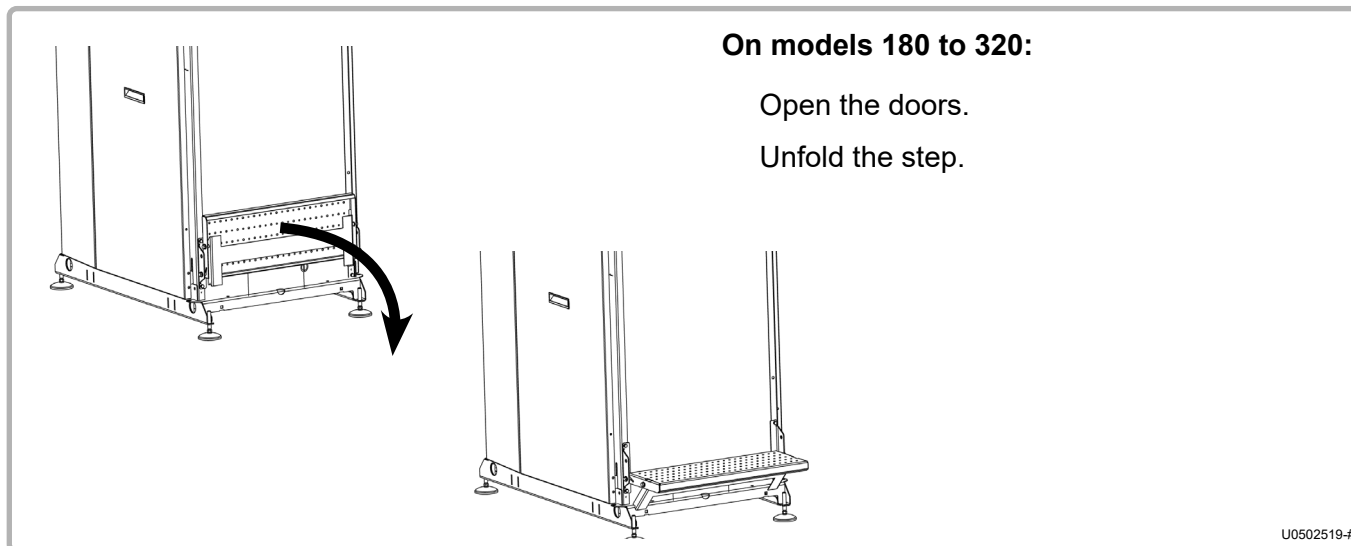


figure 14 - Installing the step on models 180-320

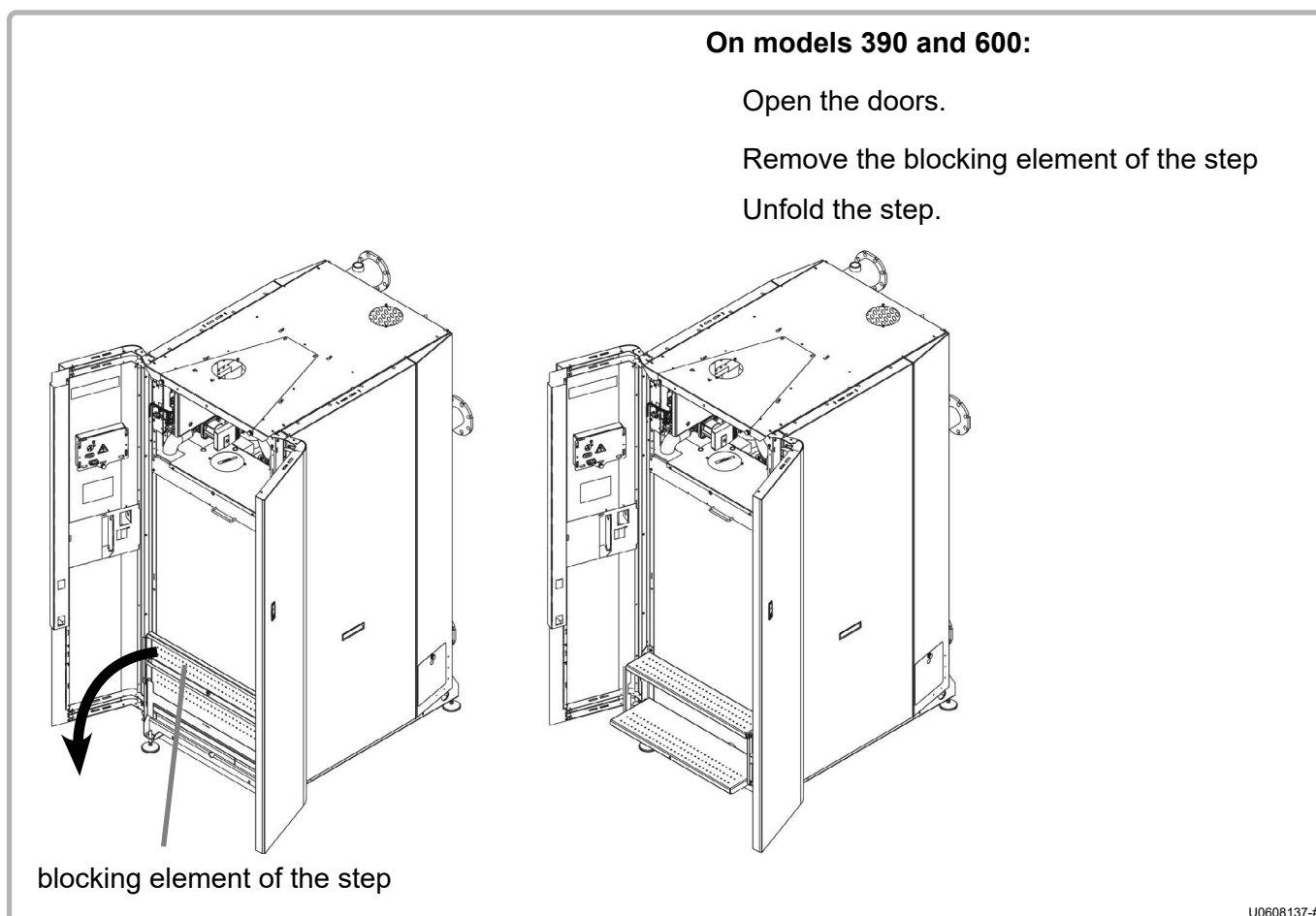


figure 15 - Installing the step on models 390 and 600

4.10. Changing the gas type (G20 to G31)



INFORMATION:

The boiler has been adjusted in the factory to work with group H (type G20) natural gas with a supply pressure of 20 mbar. Its adaptation to suit any other type of gas must take place in compliance with the regulations in effect in the country in which the appliance is installed.



WARNING:

Any operations involving changing the type of gas used must be performed by a qualified professional.



WARNING:

ONLY for relevant boilers (see paragraph 2.6, page 13) and boilers connected to B23 and B23P.

4.10.1. Changing prepurging, ignition, minimum and maximum speeds

Place the boiler in standby mode (see § 3.3.1 of the NAVISTEM B3000 boiler command table instructions).

If necessary, press the ESC button to return to the main screen.

Access the **Settings** menu.

Adjust the prepurging speed (9504), ignition speed (9512), minimum speed (9524) and maximum speed (9529) settings:

Models	Gas	9504	9512	9524	9529
120	G20			1690	6490
	G31			2040	5800
140	G20			1690	7460
	G31			2040	6800
180	G20	2390	2390	1280	4410
	G31	2580	2580	1640	4240
225	G20	2390	2390	1280	5400
	G31	2580	2580	1640	5060
275	G20			1360	4620
	G31			1700	4500
320	G20			1360	5450
	G31			1700	5300
	G31				

4.10.2. On VARMAX 120, 140, 275 and 320

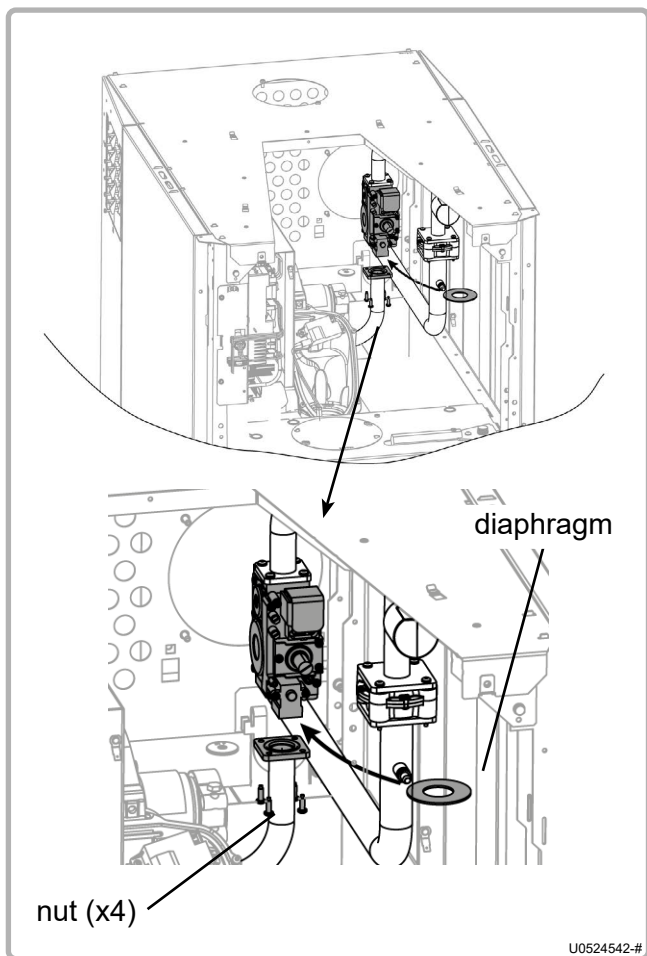


figure 16 - Diaphragm (120 and 140 models)

The type of gas is changed by installing the diaphragm (brass part) provided with the boiler (engraved B1P for 120 and 140 models or engraved B3P for 275 and 320 models).

Unscrew the 4 nuts or screws depending on the model (see opposite).
Install the diaphragm provided.
Screw the 4 nuts back in place.

Check the CO₂ settings (see § 7.7, page 52).

- After changing the type of gas:**
- Check the sealing of the gas line.
 - Stick the label provided in place of the original label (G20).

Note:
In order to facilitate the operation, the mounting flange located at the entrance to the gas line (on the side nearest the network connection) may require unscrewing.

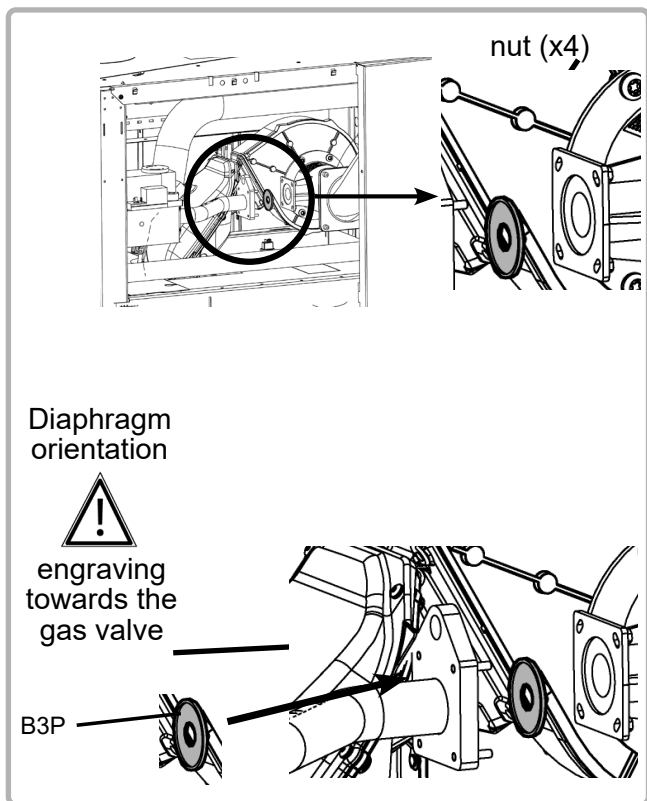


figure 17 - Diaphragm (275 and 320 models)

4.10.3. On VARMAX 180 and 225

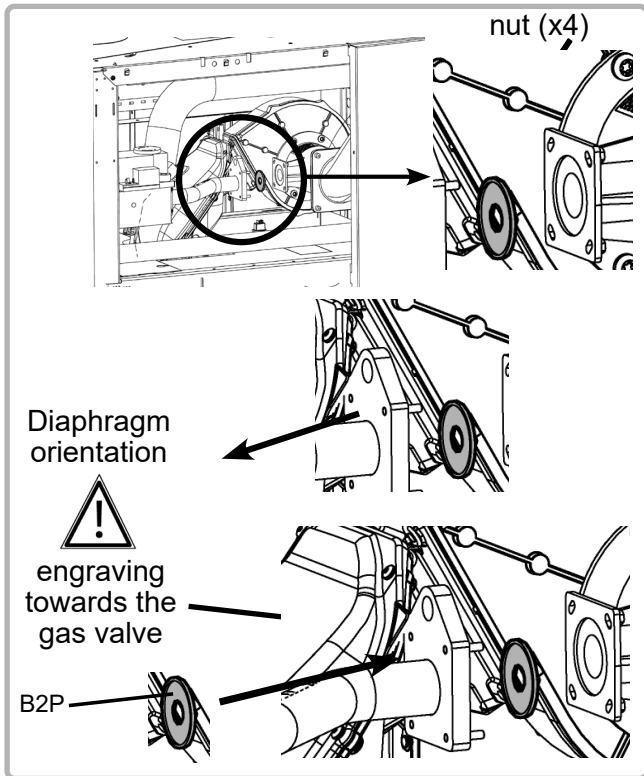


figure 18 - Diaphragm

The type of gas is changed by replacing the diaphragm located on the gas line.

Unscrew the 4 nuts (see opposite), then remove the diaphragm in place (brass part). Replace this with that provided with the boiler (engraved B2P). Screw the 4 nuts back in place.

Check the CO₂ settings (see § 7.7, page 52).

After changing the type of gas:

- Check the sealing of the gas line.
- Stick the label provided in place of the original label (G20).

Note:

In order to facilitate the operation, the mounting flange located at the entrance to the gas line (on the side nearest the network connection) may require unscrewing.

4.11. Exhaust connection

Exhaust system works and national and prefectural regulations must be complied with.

A smoke temperature sensor guarantees the protection of exhaust ducts for type B and C combustion products.

VARMAX boilers are approved to be connected to:

- a B23 chimney (all models)
- a B23P chimney (all models)
- a C13 air vent (models 120 to 225) except for propane gas (G31)
- a C33 air vent (models 120 to 225) except for propane gas (G31)
- a C53 air vent (all models) except for propane gas (G31)



INFORMATION:

The lengths of the ducts provided below are in linear metres (lm). The total length of all ducts is reduced to a straight length (elbows having a straight equivalence).

4.11.1. Connection to a B23 chimney

Type B23 connection:

Air from the unit's premises, extraction of gases through the roof via a flue with natural ventilation.



WARNING:

Check that there are top and bottom ventilations in the boiler premises, that they comply with applicable regulations and that they are not obstructed.

Chimney flues must be dimensioned considering the combustible gas pressure at the boiler outlet of 0 Pa (see table § 3.3, page 16).

The flue-gas extraction ducts must be made in a material resistant to the condensate that can form when the boiler is operating. These materials must also be capable of supporting temperatures up to 120°C. Horizontal duct runs must be avoided so as not to cause condensate retention.

Check that the fuel gas is extracted via a gas-tight duct.

VARMAX boilers are efficient boilers with very low flue-gas temperatures; as a result, to maintain favourable ventilation, the ducts must run upwards from the boiler outlet.



WARNING:

If several boilers are connected to one flue, check by calculation that the flue is not pressurised when all the boilers are operating at Qn.

Sizing recommendations based on a POUJOLAT system (Condensor type):

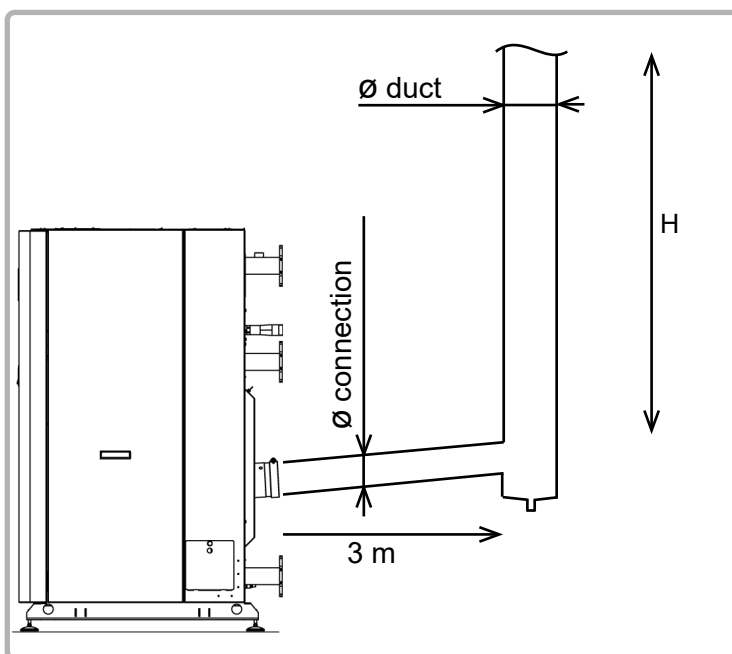


figure 19 - B23 sizing recommendations

Height of flue-gas duct H in linear metres (lm)
(operating at 50/30°C)

Ø connection	150 mm						180 mm		200 mm		
	180 mm		200 mm		250 mm		250 mm		300 mm	350 mm	
Type of gas	G20	G31	G20	G31	G20	G31	G20	G31	G20		
MODELS	120	2 to 52	--	--	3 to 39	--	--	--	--	--	
	140	7 to 39	--	3 to 94	4 to 38	--	--	--	--	--	
	180	--	--	10 to 29	--	1 to 100	4 to 73	--	--	--	
	225	--	--	--	--	1 to 100	3 to 65	--	--	--	
	275	--	--	--	--	--	--	4 to 99	4 to 61	--	
	320	--	--	--	--	--	--	5 to 81	6 to 53	--	
	390	--	--	--	--	--	--	--	--	2 to 100	
	450	--	--	--	--	--	--	--	--	2 to 100	
	525	--	--	--	--	--	--	--	--	19 to 43	4 to 100
	600	--	--	--	--	--	--	--	--	--	5 to 100

**IMPORTANT:**

The above values are provided for information purposes only. It is important to check them with a calculation.

**IMPORTANT:**

The weight of flue-gas ducts must not be supported by the part connecting to the boiler.

4.11.2. Connection to a B23P chimney

Type B23P connection:

Air coming from the boiler premises, extraction of gases through the roof via a pressurised duct.

**WARNING:**

Check that there are top and bottom ventilations in the boiler premises, that they comply with applicable regulations and that they are not obstructed.

**IMPORTANT:**

For the B23P type connection, it is **MANDATORY** to use ducts which have pressurised duct certification, such as CONDENSOR (Poujoulat) or rigid or flexible CHEMILUX CONDENSATION (Ubbink).

**IMPORTANT:**

The duct extracting combustion products must be sized using the parameters provided in the table in paragraph 3.4. Depending on the duct's actual configuration, a calculation is necessary to check that the pressures at the boiler outlet do not exceed the maximum normative values authorised (200 Pa). Values corresponding to the 50/30°C regime are to be used for this calculation.

**IMPORTANT:**

If several boilers are connected to the same flue, check the following by calculation:

- **One boiler at Q_{min} and the others at Q_n** : The outlet pressure of the boiler at Q_{min} must be lower than the permissible pressure specified in the table in Chapter 3.4.
- **One boiler at Q_{all} and the others at Q_n** : The outlet pressure of the boiler at Q_{all} must be lower than the permissible pressure specified in the table in Chapter 3.4.
- **All the boilers at Q_n** : The outlet pressure of the boilers must be lower than the permissible pressure specified in the table in Chapter 3.4.

Sizing recommendations on the basis of a POUJOLAT system (Condensor type):

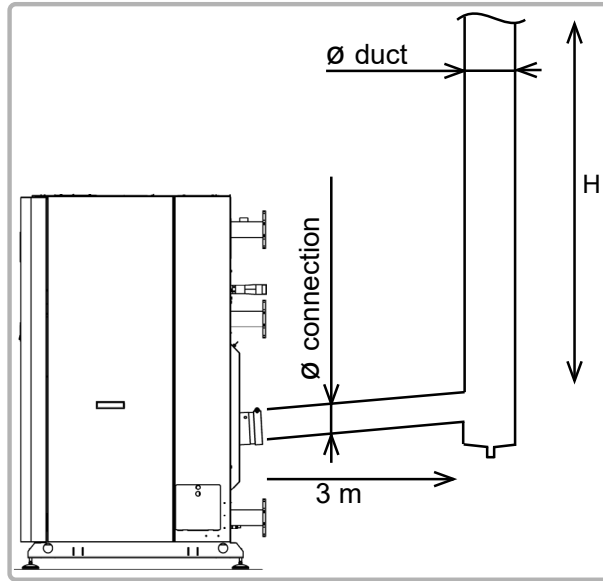


figure 20 - B23P (Poujoulat) sizing recommendations

Height of flue-gas duct H in linear metres (lm)
(operating at 50/30°C)

Ø connection Ø duct	150 mm		180 mm		200 mm				
	130 mm	150 mm	180 mm	200 mm	250 mm				
Type of gas	G20	G31	G20	G31	G20	G31	G20		
MODELS	120	79	60	--	--	--	--	--	
	140	87	39	--	--	--	--	--	
	180	--	--	74	23	--	--	--	
	225	--	--	69	20	--	--	--	
	275	--	--	--	--	100	73	--	
	320	--	--	--	--	100	64	--	
	390	--	--	--	--	--	--	100	
	450	--	--	--	--	--	--	100	
	525	--	--	--	--	--	--	39	100
	600	--	--	--	--	--	--	22	100



IMPORTANT:

The above values are provided for information purposes only. It is important to check them with a calculation.



IMPORTANT:

The weight of flue-gas ducts must not be supported by the boiler.

Sizing recommendations on the basis of a UBBINK system:

Using a Ubbink duct in PPTL Ø160 requires a Male 150 / Female 160 adaptor (reference 041432) at the boiler outlet.

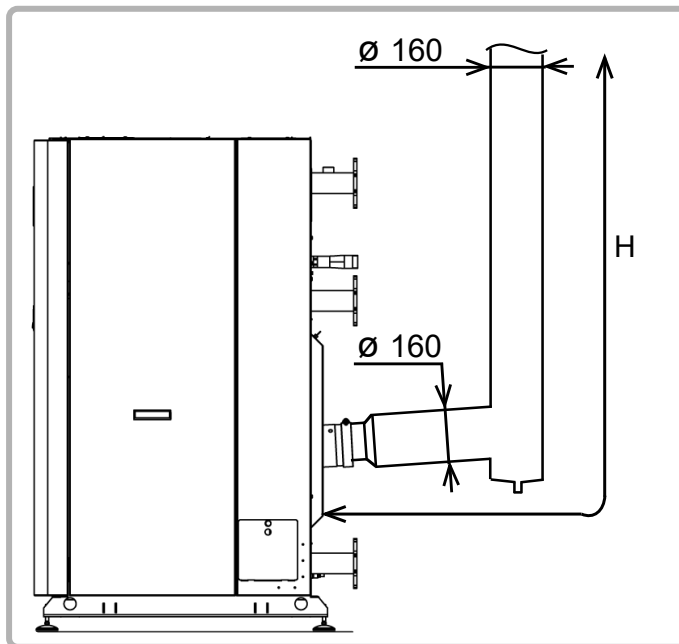


figure 21 - B23P (Ubbink) sizing recommendations

Height of flue-gas duct H in linear metres (lm)
(operating at 50/30°C)

duct	Ø 160 mm			
	rigid		flexible	
Type of gas	G20	G31	G20	G31
MODELS	120	100	100	86
	140	100	100	86
	180	64	32	30
	225	58	40	28



IMPORTANT:

The above values are provided for information purposes only. It is important to check them with a calculation.



IMPORTANT:

The weight of flue-gas ducts must not be supported by the boiler.

4.11.3. Cascade boilers

The installation must be carried out in such a way that when one boiler is stopped or in mini operation, the others do not back up into it. The installation of a valve at the outlet of the boiler is not necessary because it is already integrated in the boiler.

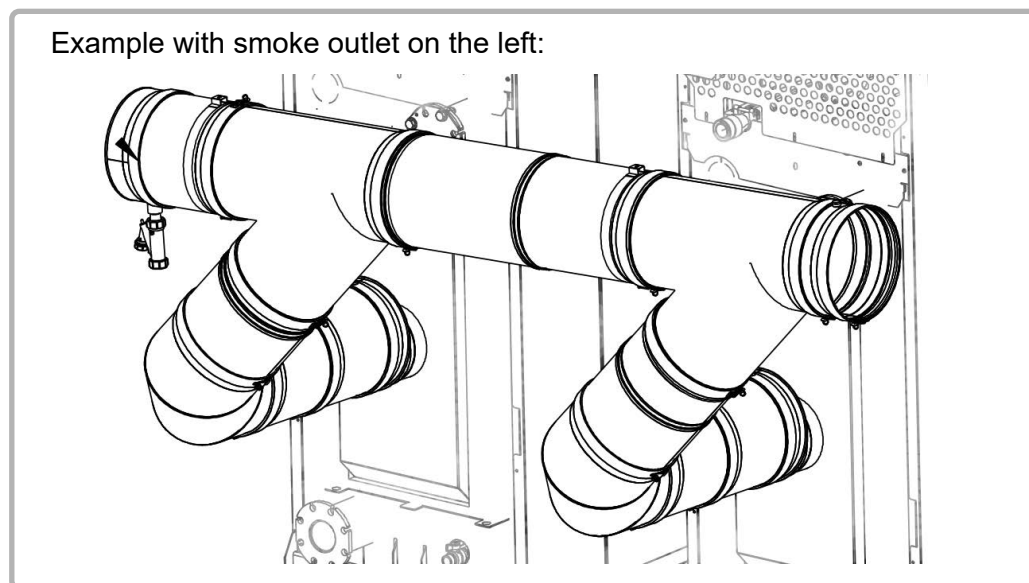


figure 22 - cascade mounting

4.11.4. Rules for installing air vent terminals

Please refer to national standards and regulations.

4.11.5. Connection to a C13 or C33 air vent

Type C13 connection:

Air inlet and gas extraction via separate ducts connected to a horizontal concentric terminal (air vent).

Type C33 connection:

Air inlet and gas extraction via separate ducts connected to a vertical concentric terminal.



IMPORTANT:

Connecting a VARMAX boiler in C13 or C33 configuration requires use of the "Terminal kit" comprising a terminal, a dual-flow adaptor and a male adaptor Ø150 / female adaptor Ø160 (reference 041421).

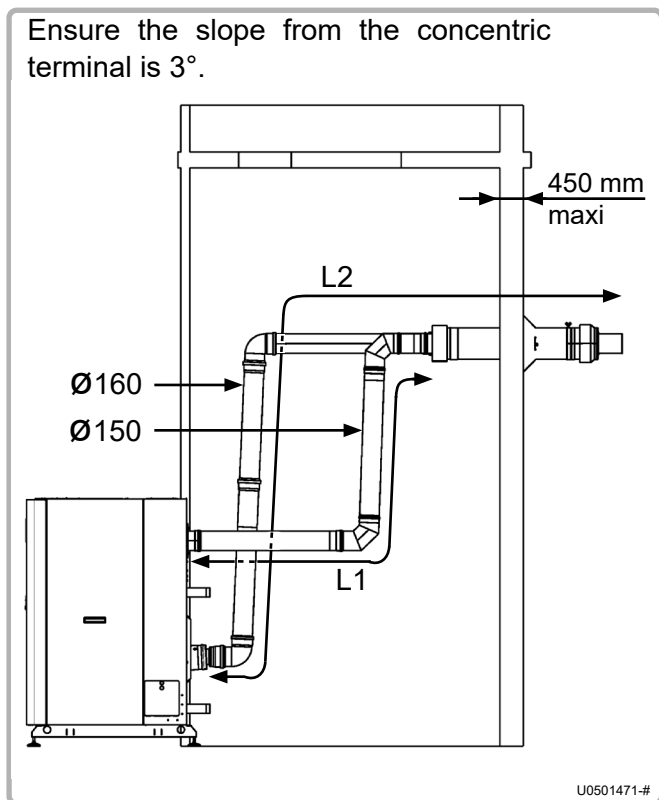


figure 23 - Type C13 connection

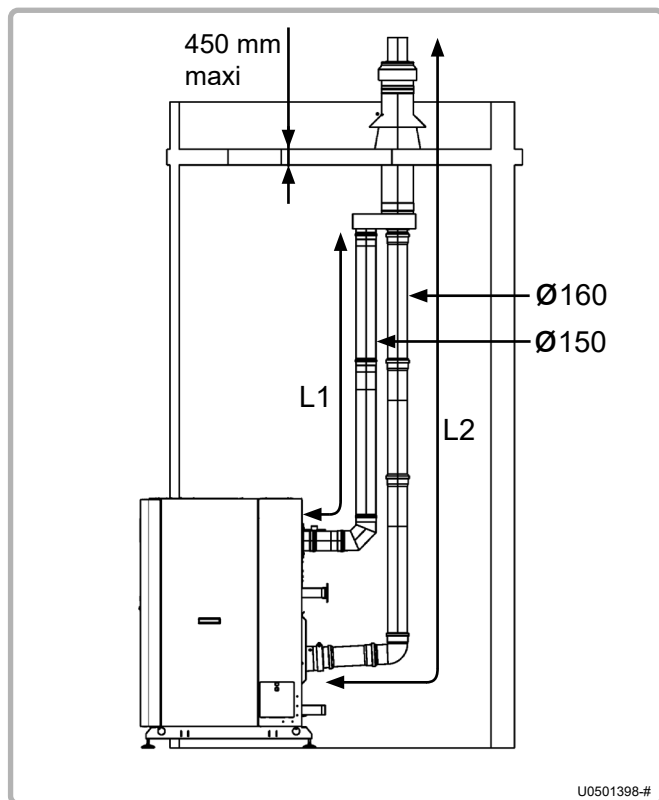


figure 24 - Type C33 connection

The table below shows the maximum straight lengths authorised for air and flue-gas ducts.

	MODELS			
	120	140	180	225
L1 (air)	16.5 lm		13.5 lm	
L2 (flue-gases)	17.5 lm		14.5 lm	

The lengths indicated include the lengths of the concentric terminal.

In addition, in the duct length calculation, the following equivalences must be used;

- 90° elbow = 1.5 m of straight duct
- 45° elbow = 0.8 m of straight duct

The terminal's installation must comply with the rules in § 4.11.

To facilitate mounting of flue-gas ducts (PPTL), coat the joints with liquid soap or a suitable grease (provided in the "terminal kit").



IMPORTANT:

The weight of the ducts (air and flue-gas) must not be supported by the boiler's connecting parts.

4.11.6. Connection to a C53 air vent

Type C53 connection:

Air inlet and gas extraction via 2 separate ducts.



IMPORTANT:

Connecting a VARMAX boiler in a C53 configuration requires the use of accessory kits.

The table below gives the reference of the available kits depending on the boiler model and the maximum straight lengths authorised for the air and flue-gas ducts.

	MODELS										
	120	140	180	225	275	320	390	450	525	600	525 to 600
Ø F (flue-gas duct)	160 mm		160 mm		180 mm		200 mm		200 mm		250 mm
Ø A (air duct)	150 mm		150 mm		180 mm		180 mm		180 mm		
L1 (air)	10 lm		8 lm		10 lm		10 lm		10 ml	6 ml	10 ml
L2 (flue-gas)	40 lm		39 lm		40 lm		40 lm		25 ml	6 ml	39 ml
Accessory kit reference	041422		041422		041423		041424		041424		--

The lengths given include the lengths of the flue-gas terminal but do not include the air terminal (measure taken on the outside of the wall).

In addition, in the duct length calculation, the following equivalences must be used;

For ducts with diameters 150 mm and 160 mm:

- 90° elbow = 1.5 m of straight duct
- 45° elbow = 0.8 m of straight duct

For ducts with diameters 180 mm and 200 mm:

- 90° elbow = 2 m of straight duct
- 45° elbow = 1.1 m of straight duct

The flue-gas terminal's installation must comply with rules in § 4.11.

Ensure the slope towards the boiler is at least 3° (flue-gas side). On the air duct side, adjust a slope to the outside to avoid the risk of rainwater in the boiler.

To facilitate mounting flue-gas ducts for models 120 to 225, coat the joints in liquid soap or a suitable grease (provided in the "terminal kit").

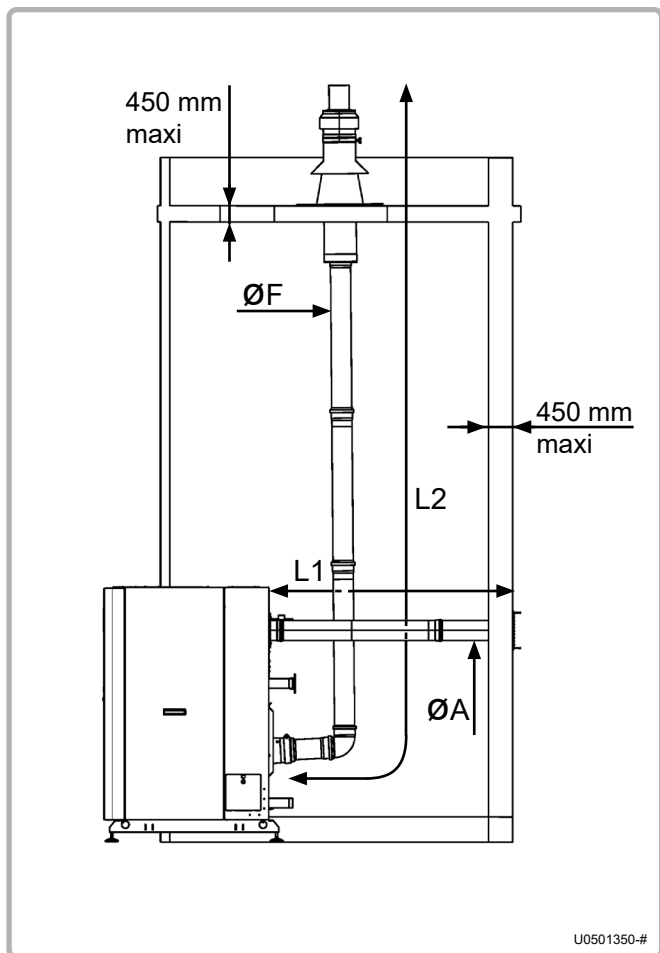


figure 25 - Type C53 connection (VARMAX models 120 to 225)

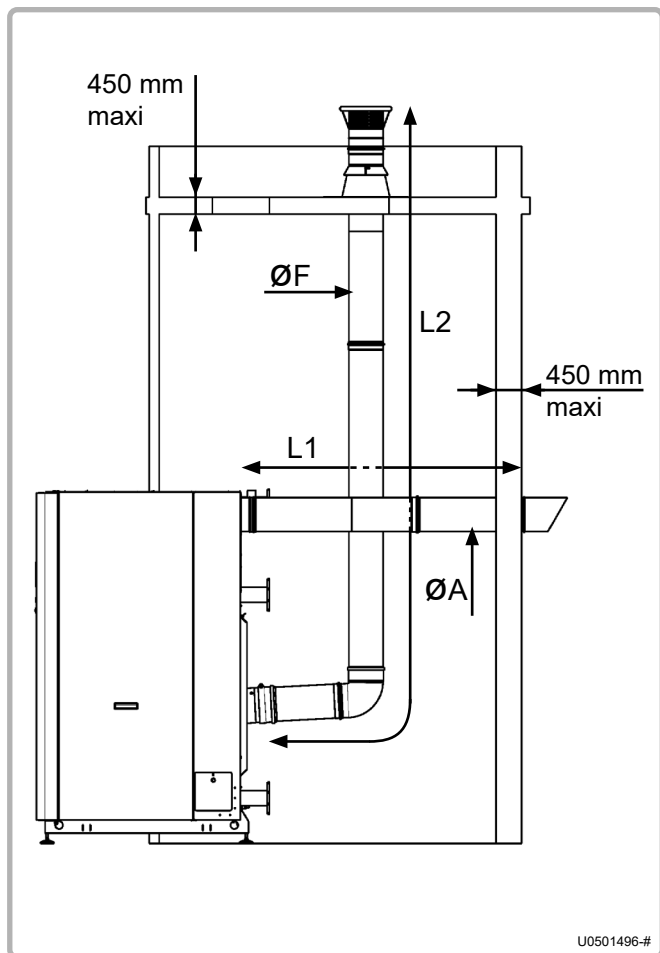


figure 26 - Type C53 connection (VARMAX models 275 to 600)



IMPORTANT: The weight of flue-gas ducts must not be supported by the boiler.

4.12. Hydraulic connection

The presence of an integrated irrigation pump in the boiler and an intelligent control logic enables optimal operation up to IUP/30 (IUP = Instant Useful Power expressed in Th/h - 1Th/h = 1.163 kilowatts).

Below this throughput of IUP /30, the boiler will continue to operate, but will gradually lose power (boiler stops below IUP /46).

In connector sleeves 3 and 4, there is no minimum throughput constraint on the condenser.

In the main heat exchanger, as in the condenser, you must ensure that you never exceed the throughput prescribed in section 3.4 (boiler nominal useful power / 10).

Sizing the pipes connecting the boiler to the installation must be done carefully, to minimise the pressure losses and so avoid oversized circulating pumps.

In some cases the diameter of the connection pipes will be greater than the diameter of the boiler tapplings. The diameter can then be usefully increased after the union connectors, the stop valves, and/or the hydraulic balancing valves.

VARMAX boilers are equipped with the following elements:

- main exchanger drain valve,
- condenser drain valve.

It is mandatory to fit the boiler and its installation with the following elements:

- isolating valves on the flow and return tapplings,
- an expansion vessel. In the case of a cascade of boilers in 3 nozzles, we recommend connecting the expansion to the high temperature common return,
- an efficient bleed device*,
- a safety valve set to 6 bar*,
- A shut-off on the boiler's fill circuit in relation to the main supply.

(*Supplied and mounted on the future "condenser" circuit of the 4-pronged versions but to be installed on the main exchanger)

VARMAX boilers are available with 2/3 tapplings or 4 tapplings. It is not possible to transform a version with 2/3 tapplings into a version with 4 tapplings and vice versa.

4.12.1. Warranty conditions for Varmax connection in 2, 3 or 4 connections:

- Respect the maximum flow rates of the condenser and the main exchanger equal to $P / 10$, P being the nominal useful power of the boiler in Th / h.
- No minimum flow rate in the VARMAX condenser.
- Instantaneous DHW production without the presence of a primary flask is prohibited.
Instantaneous DHW production generates premature aging of the generator with a very large number of M / A cycles.
The sizing of the primary balloon must make it possible to avoid an excessive number of cycles M / A of the generators.

4.12.2. Optimization operation / Performance:

- Adjust the water laws of the heating networks to promote the overall efficiency of the installation.

4.12.3. Optimization operation / Performance in 2 connections:

- Suitable for connecting a single regulated heating circuit.
The lower the temperature regime, the better the performance.
- Several heating circuits can be connected to the condenser, but in this case, it is preferable that they have an identical water law, or close to each other.
If this is not the case, then favor the connection of 3 connections.
Same in the presence of a heating circuit and a DHW production.

4.12.4. Optimization operation / Performance in 3 connections:

- One or more heating circuits can be connected to the condenser.
The flow through the condenser is lower than the nominal flow rates of the circuits if they have different water laws and are equipped with 3-way valves.
- Connect the condenser, if possible, to the circuit (s) with the lowest water levels.
Prefer a floor heating circuit to a circuit Radiators.
- In the presence of only controlled heating circuits with close water laws, check that the connection in 2 taps does not have a performance superior to 3 taps from Optimax Design software.
In particular if at the same reference outdoor temperature, the return temperature of the circuits is lower than the dew point (55 ° C) and the difference in return temperatures between the circuits is close to 10 ° C.
Example: circuit 1-> 60/40 ° C and circuit 2 -> 40/30 ° C. Return temperature <55 ° C and Δ Return temperature = 10 ° C => it is better to use 2 nozzles.
- The power of the circuits connected to the condenser must be greater than the recovery power of the condenser, i.e. 20% of the nominal useful power of the boiler or boilers to which it is connected.
Otherwise, the 2-point connection is equally powerful.
- In the presence of a DHW production, favor a primary or secondary balloon volume corresponding at least to the energy storage of the peak flow 10 minutes.
This prevents the boilers from rising and rising again at untimely temperatures.

4.12.5. Optimisation fonctionnement / Performance en 4 piquages :

- Only one circuit must be connected to the condenser.
- Promote the presence of thermostats on transmitters.
- The circuit to be connected must if possible combine the following characteristics:
 - o Have a power at the reference temperature which must be greater than 20% of the useful nominal power of the boiler, which avoids thermal discomfort on the circuit connected to the condenser.

o Present the lowest water law which optimizes the condensation operation.

For example, prefer a floor heating circuit to a radiator circuit.

o Being the most demanding circuit in operation time which allows to irrigate more often the condenser and recover a maximum of calories.

Example: Prefer a North circuit to a South circuit.

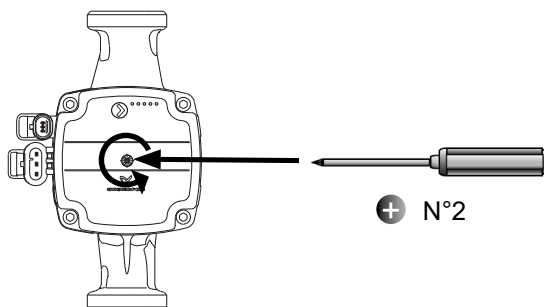
o In the presence of DHW production and in order to avoid thermal discomfort on the circuit connected to the condenser:

- Favoring a volume of primary or secondary balloon corresponding at least to the energy storage of the peak flow 10 minutes avoids unwanted raises and raises in temperature of the condensing boiler on the circuit connected to the condenser:.
- Make sure that the circulation rate is not oversized and properly adjusted, in order to maintain good stratification and limit untimely DHW relaunches.



INFORMATION :

The Grundfos circulators used on the 120/140 and 180/225 kW models have a degumming screw to be used in case of mechanical blockage.



IMPORTANT :

Maintain pressure while turning, to properly activate the degumming.

4.12.6. Boiler with 2 or 3 tappings

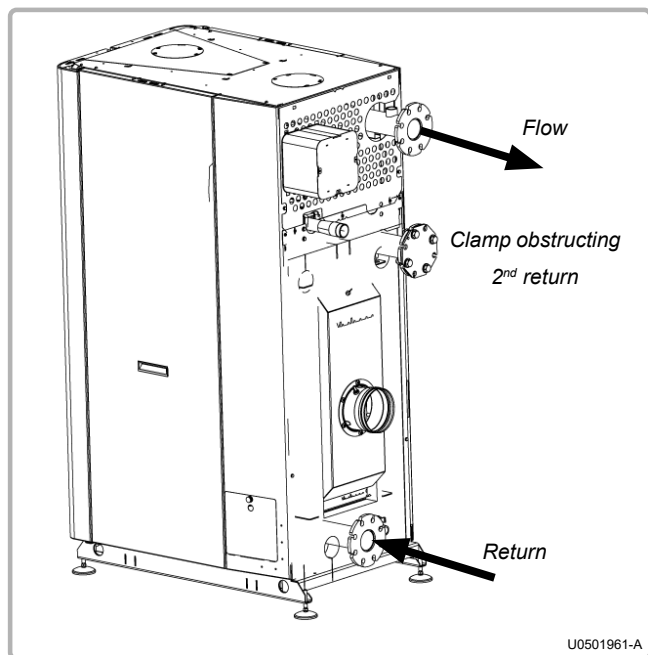


figure 27 - Connection with 2 tappings

2 tappings

If all the circuits have the same return temperatures, the return tapping located in the lower part must be used.

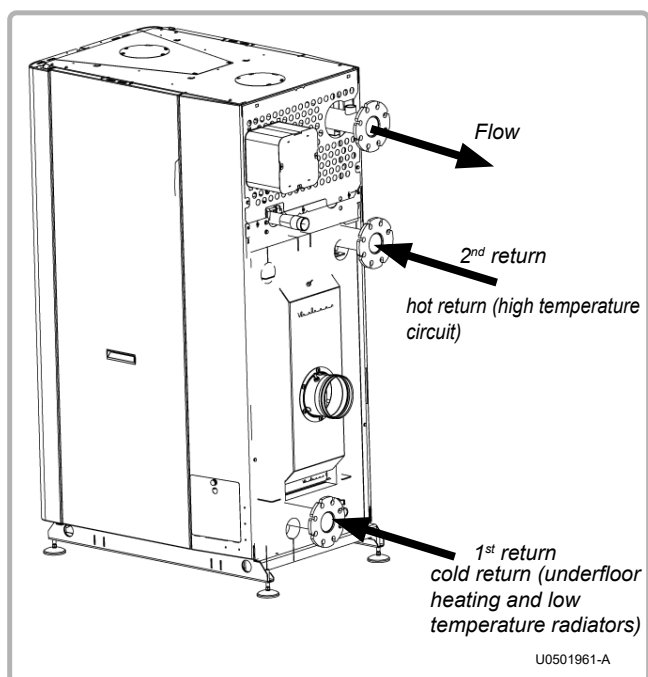


figure 28 - Connection with 3 tappings

3 tappings

VARMAX boilers are fitted with 2 returns and an optimised internal water circuit allowing effective separation of high temperature returns (coming from DHW preparation circuits, radiators, etc.) from low temperature circuits (underfloor heating circuits, low temperature radiator circuits, etc.). This circuit separation encourages the condensation of flue-gases in the lower part of the condenser throughout the year, and therefore considerably increases the boiler's performance.

To use the 2nd return, the clamp obstructing the tapping must be removed.

4.12.7. Boiler with 4 tappings

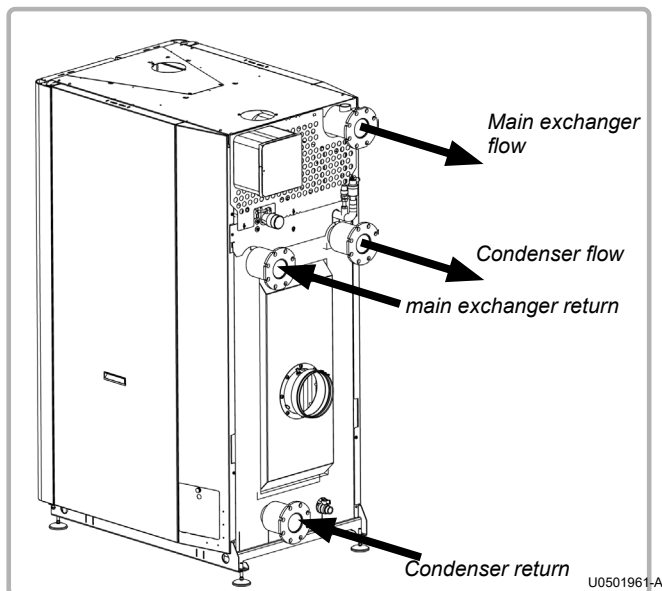


figure 29 - Connection with 4 tappings

An additional improvement can be obtained by connecting the boiler in 4 taps. It consists in decoupling the condenser (low temperatures) from the main exchanger (high temperatures).

VARMAX 4-port boilers are equipped with 2 internal irrigation circuits which separate the return from the installation circuits connected to the main exchanger from the one with the most favorable return to the installation, connected to the condenser.

There are no throughput constraints regarding the condenser.



WARNING:

Do not connect DHW (domestic hot water) or swimming pool water to the condenser circuit.



WARNING :

Check the water supply of the condenser circuit before starting up the boiler.

4.12.8. Condensate removal

Removal to the drains, via a drain hopper, using a P.V.C tube (minimum diameter 32 mm) is mandatory because the condensates are acidic and thus aggressive (pH between 3 and 5).

Use a sufficient slope of 3% to ensure correct flow of the condensates.



WARNING:

Neutralise these condensates before removal according to regulations in force.

4.13. Gas connection

Before installing the boiler, it is necessary to clean the inside of the installation's gas line (metallic particles, soldering residue, etc.). This helps to improve the product's longevity.

Before commissioning the boiler, check that the natural gas supply pressure corresponds to the boiler's nominal pressure mentioned on the identification plate.

Before feeding gas to the installation, ensure that the different connections are correctly made and gas tight.

In particular, check the presence of a removable connector between the isolating valve and the boiler gas supply tapping.

The value read at the gas valve input must be between the limits indicated in the table in chapter 2.5, page 10 for the type of gas used.

**WARNING:**

The boiler's gas line connection must not be subject to any mechanical stress (risk of loss of gas tightness of the gas valve). Check that the natural gas supply corresponds to the nominal boiler pressure stated on the identification plate.

4.14. Electrical connection

**DANGER:**

Ensure that the general electrical power supply has been cut off before starting any work.

**WARNING:**

Observe the phase polarity - neutral for electrical connections.

**WARNING:**

It is mandatory to connect this boiler correctly to earth and to comply with applicable standards for low voltage electrical installations in the United Kingdom. Provide a two pole circuit breaker upstream of the boiler (distance between contacts: 3.5 mm minimum). It is strongly recommended to fit the electrical installation with a 30 mA differential protection.

Refer to the instructions of installation and use of the NAVISTEM B3000 boiler command table for information concerning electrical connections to the control panel (characteristics of the electrical power supply, cable section and connection to terminal blocks).

4.14.1. Control panel

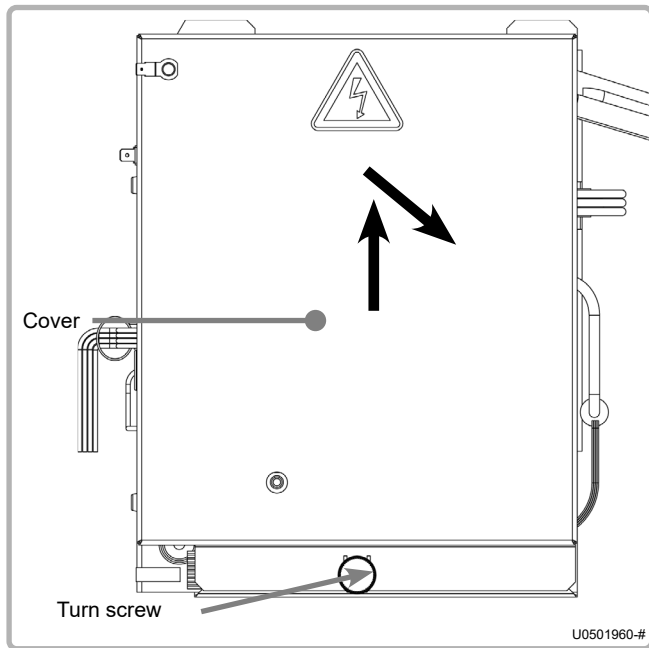


figure 30 - Opening the electrical box

To access the control panel, open the casing doors on the front of the boiler.

The control panel is on the upper front left of the boiler.

Unscrew the turn screw at the bottom of the cover.

Lift up the cover and pull backwards.

4.14.2. Cable bushing

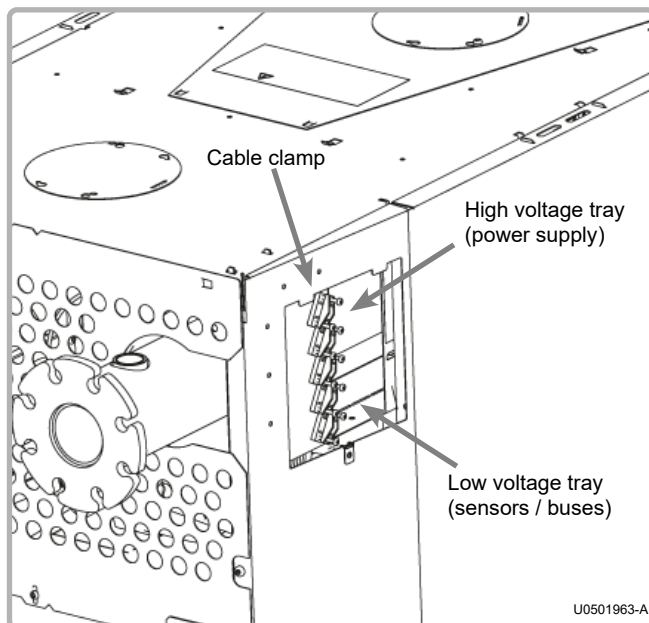


figure 31 - Electrical cable bushing

Use the cable trays located on the top left of the boiler to insert the connection cables:

- The **upper** tray must be reserved for the **power connections** (boiler power supply, alarm feedback or circulating pump control).
- The **lower** tray is dedicated to **signal connections** (sensors, communication bus, etc.).

Use the cable clamp located at the inputs to the trays to lock the cable mechanically.

4.14.3. Connection of the boiler command table to the terminal blocks

To connect the boiler command table, refer to the relevant instructions of installation and use.



ATTENTION :

For connection, comply with the wiring diagram, in particular the phase, neutral and earth polarities.

4.14.4. Connection of AVS75 extension module(s) (optional)

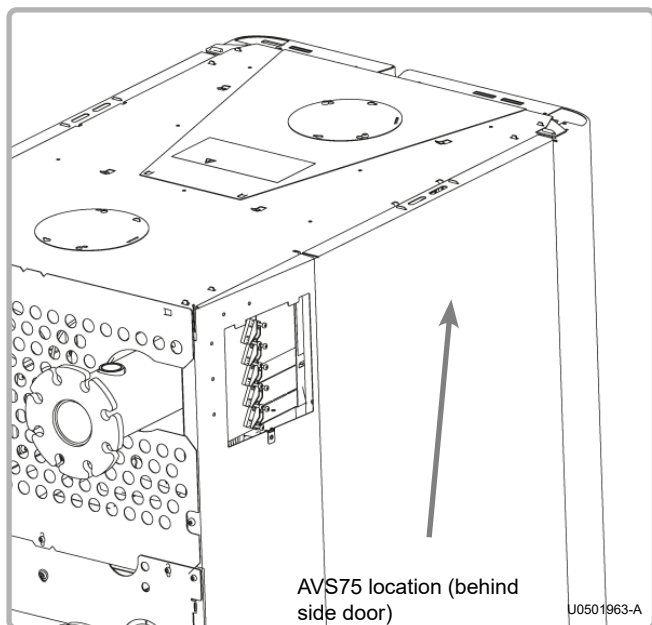


figure 32 - AVS75 location

To install AVS75 module(s) (3 max), refer to the instructions provided with the accessory (reference 059751).

4.14.5. Connection of OCI345 communication module (optional)

To install the OCI345 module, refer to the instructions provided with the accessory (reference 059752).

4.14.6. Fuses

The VARMAX boiler is fitted with 4 fuses on the boiler command table (refer to the sticker on the protective cover for their locations and characteristics).
3 spare fuses are also available on the boiler command table.

4.14.7. Electrical wiring diagram

Refer to the paragraph 2.3 of the NAVISTEM B3000 manual should you require further information on the characteristics of borniers.

	Cascade flow sensor
	Cascade return sensor
	DHW sensor
	External sensor
	Input prog. client: 0...10V
	Output prog. client: 0...10V
	Input prog. client. contact

	Room sensor
	Boiler flow sensor
	Boiler return sensor
	Flue-gas sensor
	Alarm relay
	Pompe modulante

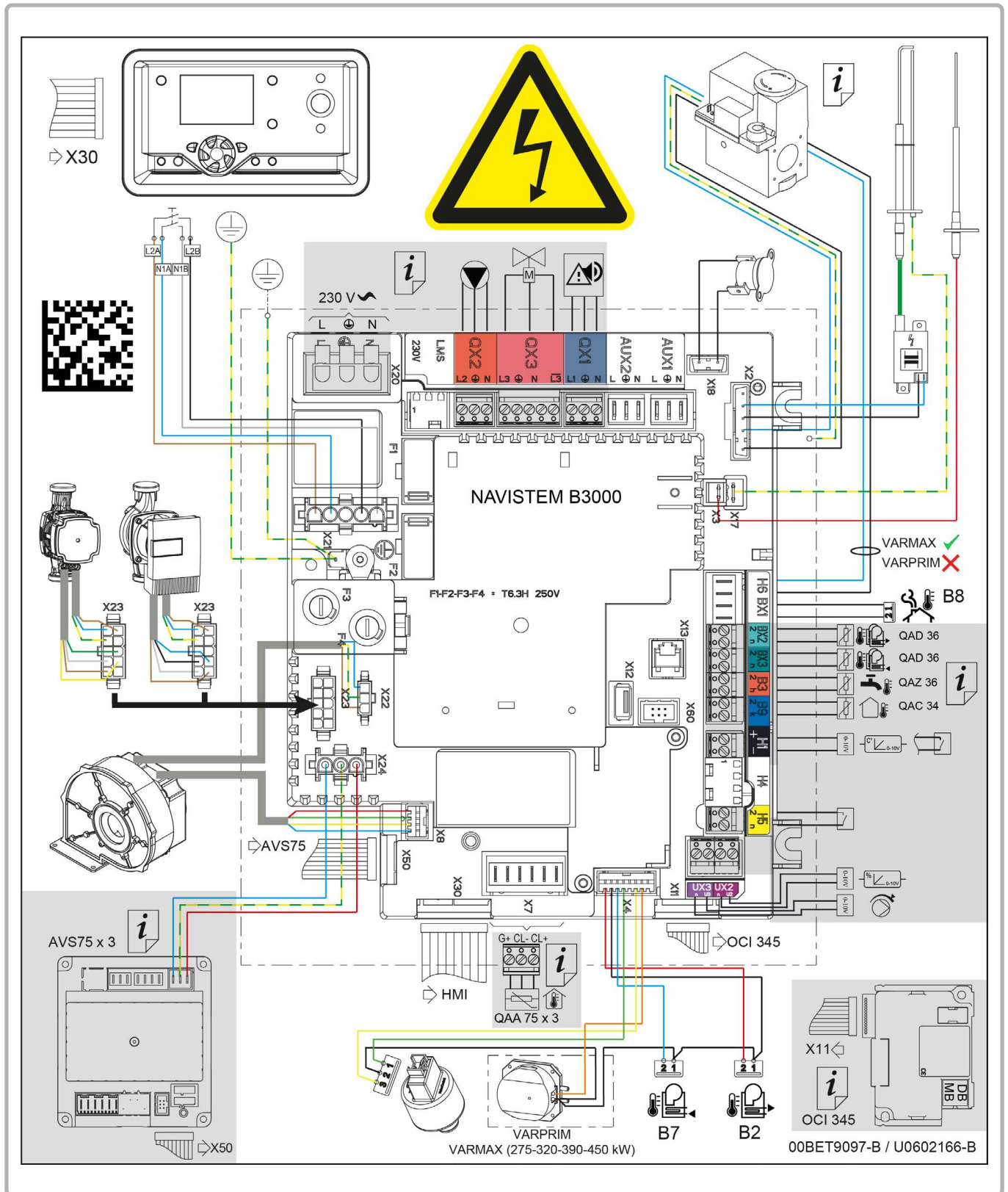


figure 33 - Electrical wiring diagram

5. COMMISSIONING

5.1. Unlocking the boiler



WARNING:

During commissioning, the unlocking of the boiler can only be achieved if the hydraulic system is compliant with the recommendations mentioned in the hydraulic diagrams (see section 9.3). The person in charge of this operation must ensure such compliance.

Unlocking the temperature:

Modify parameter 2212 from 70° C to the desired value (Maximum 85°C).

Unlocking the power:

Increase the value of parameter 9529 up to the value of parameter 9530 (corresponding with the nominal power of the boiler).



WARNING:

Adjusting the boiler to operate using propane results in the modification of parameter 9529; the boiler power locking function is therefore no longer active.

Parameter 9529 value	MODELS									
	120	140	180	225	275	320	390	450	525	600
power locked	4610	5300	3180	3870	3360	3930	3440	3900	2640	3050
power unlocked	6490	7460	4410	5400	4620	5450	4810	5480	3770	4330

5.2. Pre-commissioning checks

For a cascade installation, check the hydraulic balance of the boilers.

Check that pressure when cold is at least 1 bar.

If this is a boiler room renovation, ensure that flushing and if necessary silt removal from the installation have been correctly done (see paragraph 1.5, page 6 of these instructions).

Check the flue-gas connections depending on the type of chimney (refer to paragraph 4.9, page 25).

Check that the gas pressure and type are suitable for the products.



DANGER:

It is forbidden to use water containing glycol.



WARNING:

If connecting CHIMNEY B23 or B23P, it is COMPULSORY to fit the air filter supplied with the boiler.

5.3. Commissioning

Before being packed up, all boilers are tested in the factory operating on group H natural gas (type G20), during which all settings are made.

For commissioning, carry out the following operations:

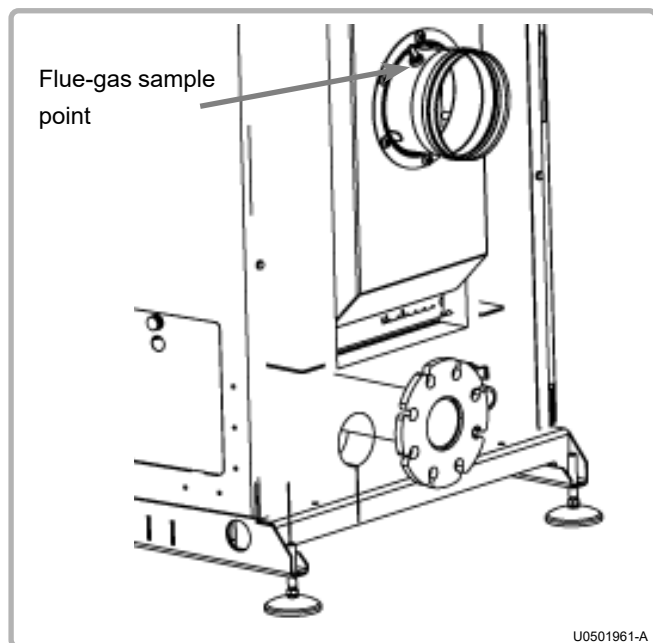


figure 34 - Taking a sample

1. Switch on the main power.
2. Create a request for heat via the comfort mode using the customer interface (see chapter "3 - Interface utilisateur" of the LMS boiler command table instructions).
3. After starting up the burner, check the gas tightness of the gas line connections using a foaming product. Check combustion health using a flue-gas analyser via a sample taken from the flue outlet (see diagram opposite).

CO₂ value range:

G20:

at Qmin: 8,3 % < CO₂ < 8,7 %

at Qmax: 8,8 % < CO₂ < 9,2 %

G31:

at Qmin: 9,8 % < CO₂ < 10,2 %

at Qmax: 10,4 % < CO₂ < 10,8 %

4. Adjust the boiler setting (refer to the table summarising customer parameters at the end of this manual).



WARNING:

Any work on a sealed element leads to loss of warranty.

6. POST-COMMISSIONING CHECK

6.1. Condensate removal

Check that the removal of condensates is not obstructed, on both the boiler side and the pipe side

6.2. Gas supply

Check that the gas pipe diameter is correctly sized:

It is necessary to stop all the boilers together abruptly using the boiler room main circuit breaker to check that the gas pressure regulator safety device is not triggered.

If this is triggered, the gas pipe is undersized. After this operation, reengage the circuit breaker. The boilers must start automatically, if not, consult the supplier of the gas pressure regulator.

6.3. Full power cuts

We draw your attention to the fact that when the burner shuts down at maximum power, a noise phenomenon accompanied by vibrations may occur.

In the event of a maximum power cut detection on your installation, be sure to remove them quickly by checking your installation, including the settings of the boiler regulation, and if present, of the controller controlling the boiler room.

7. MAINTENANCE OPERATIONS

There are two types of maintenance operations:

- yearly maintenance
- in-depth maintenance every 3 years.

The table below shows which actions to undertake depending on the type of maintenance to be performed.

In all events, these operations must be performed by a qualified professional.

Before carrying out the following operations:

- Switch off the main power
- Close the gas supply shut-off valve.



DANGER:

This boiler's earth bonding is ensured with connecting cables (green/yellow) and specific attachment screws. During any dismantling work, make sure you reconnect the cables concerned; it is **IMPERATIVE** to reuse the original attachment screws.

No. of paragraph to consult		Maintenance	
		every year	every three years
7.2	Verification of the boiler's environment	X	
7.3	Replacing the air filter matting	X	
7.4	Verification of ignition and ionisation electrodes	X	
7.5	Siphon cleaning	X	
7.6	Checking the combustion circuit's gas-tightness	X	
7.7	Checking combustion quality	X	
7.9	Gas filter cleaning	X	
7.10	Cleaning exchangers and changing of seals on service doors		X
7.11	Check the condition of the gas manifold coating Cleaning the burner and changing the seals		X

7.1. Boiler draining

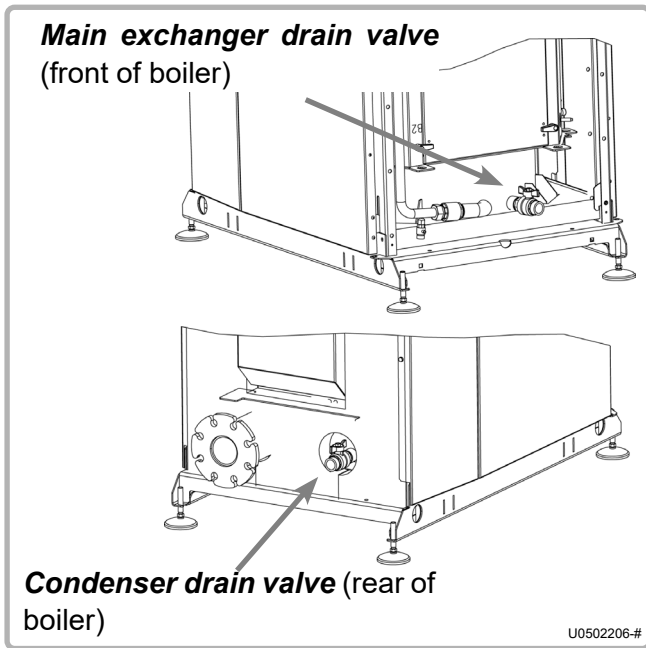


figure 35 - Drain valves

- Close the shut-off valves of the flow and return tappings.
- Connect the drain valves (main exchanger and condenser) to the drain with a suitable hose.
- Create an air intake on the "main exchanger" flow nozzle (open the safety valve).
- Open the drain valve.

7.2. Verification of the boiler's environment

Before carrying out any maintenance work, it is necessary to perform a certain number of checks concerning the installation's use.

- Water pressure: check that the water pressure is higher than 1 bar when cold.
- Read the makeup water meter. This operation helps to identify any hydraulic leaks. If consumption of makeup water changes, seek the cause and repair.

7.3. Replacing the air filter matting



DANGER:

To make sure this task is performed in safety, switch off the boiler and cut off the upstream power.



DANGER:

Use personal protective equipment (mask and gloves) to remove the used air filter.



INFORMATION:

The air filter is only present on boilers connected to a B23 or B23P chimney.



INFORMATION:

The air filter is an important element of the boiler. It limits the burner and the exchangers becoming sooty. Changing it regularly (at least every year) makes burner and exchanger cleaning operations considerably easier.

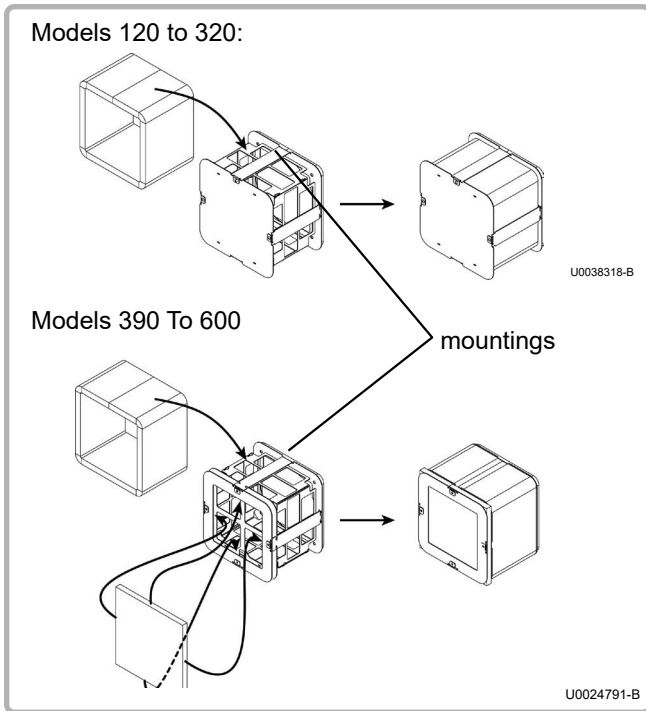


figure 36 - Filter matting

- Remove the used filter matting (no tool required).
- **Be careful not to let any dust or other foreign bodies enter the air duct (see opposite).**
- Insert the new rectangular filter matting between the filter's protective grille and the mountings (see opposite).

Ensure that the link between both ends of the matting is under one of the mountings.

- For models 390 to 600, insert the square filter cloth on the back gate of the filter.

7.4. Verification of ignition and ionisation electrodes

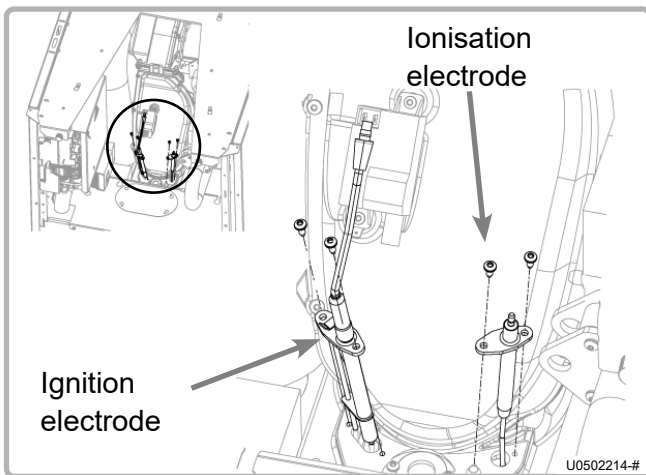


figure 37 - Position of electrodes

Electrode removal

Unscrew the two M4 Torx screws holding the electrode that needs to be removed.

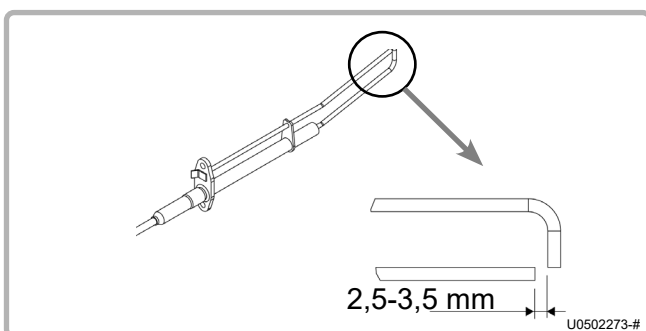


figure 38 - Spacing

If necessary and if there is a large amount of oxidation, clean the electrodes by rubbing them with an emery cloth.

Check the space between the ignition electrode and the ground electrode (see diagram opposite). It must be between 2.5 and 3.5 mm. If this is not the case, replace the electrode.

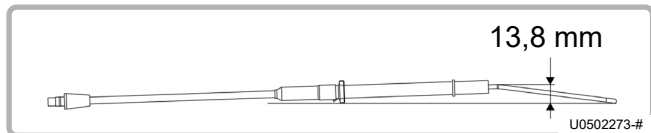


figure 39 - Geometry

Check the geometry of the arc electrode:
If deformed more than ± 3 mm, replace the electrode.

Re-assemble the electrode block(s). Tightening torque of the block fixing screws = 2.5 N.m.

7.5. Siphon cleaning

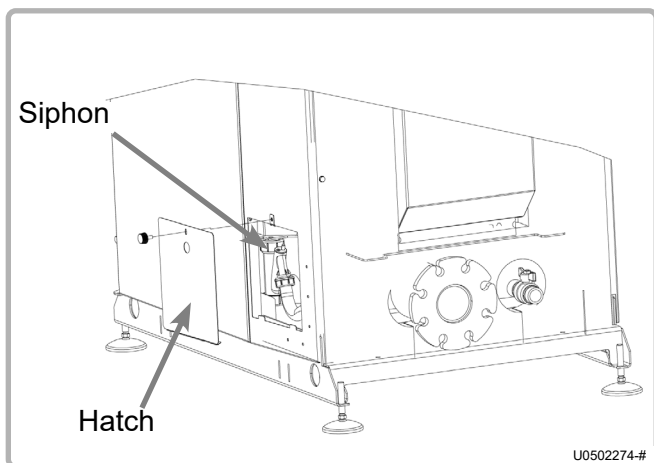


figure 40 - Siphon

Check the siphon and clean if necessary. The siphon must be located between the main exchanger and the condenser on the right-hand side (it can be accessed via the hatch without removing the side panel).

To do this:

- Dislodge the siphon by pulling it downwards.
- Clean with water.
- Re-assemble the siphon after checking the presence and the possibility of free movement of the float (ball). Also check that the seal is not damaged.

7.6. Checking the combustion circuit's gas-tightness

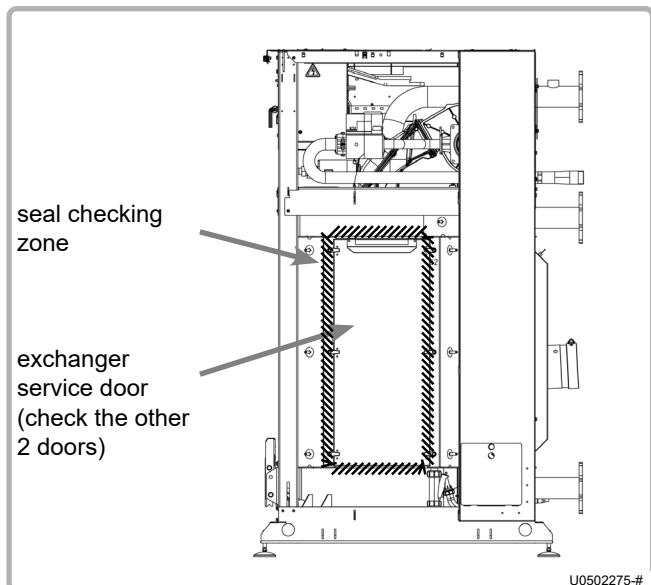


figure 41 - Gas-tightness of the service door

Check the gas-tightness of the 3 service doors using the foaming product. The areas to check are shown on the diagram opposite.

The check must be performed when the boiler is off, but with the ventilator operating at its maximum speed (obtained by disconnecting the PWM signal connector).

If a leak is detected, replace the seal with the appropriate kit.

It is recommended to replace the seals each time the exchanger service doors are removed. If they are not replaced, do not cross the doors when re-assembling.

7.7. Checking combustion quality

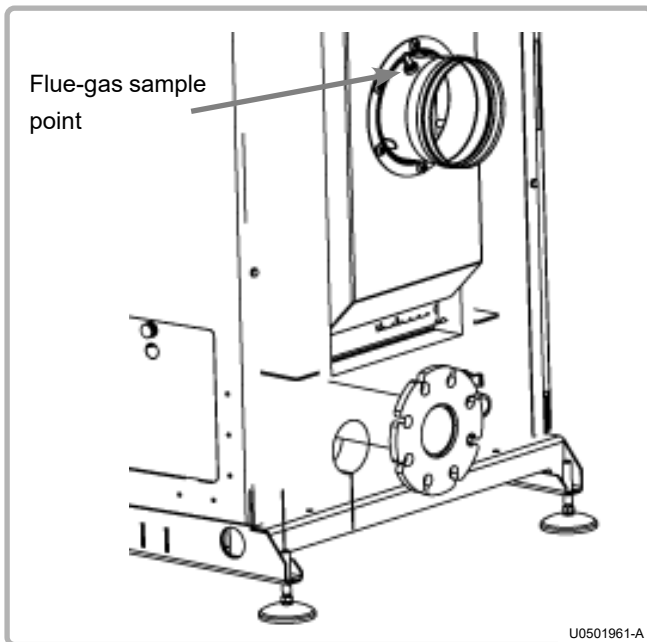


figure 42 - Sample taking

This check is performed using a calibrated combustion case. To do this, insert the measuring stick into the flue outlet (see diagram opposite).

The boiler's starting temperature must be above 70°C.

Do not forget to re-position the stopper on the orifice from where the sample is taken afterwards.

For the G20, the CO₂ content measured in these circumstances must be between 8.3% and 8.7% at Qmini (0% on display) and between 8.8% and 9.2% at Qmaxi (100% on display).

If this is not the case, it is necessary to alter the setting of the gas valve (see next paragraph).

After this check, it is necessary to either take a measurement of the "gas" throughput or the ΔP valve on boilers from 120 to 450 kW. These measurements check the state of soiling of the combustion circuit (burner, body, exchanger(s)).

For the G31 (relevant modls only), the CO₂ content measured in these circumstances must be between 9.8% and 10.2% at Qmini (0% on display) and between 10.4% and 10.8% at Qmaxi (100% on display).

If this is not the case, it is necessary to alter the setting of the gas valve (see next paragraph).

After this check, it is necessary to either take a measurement of the "gas" throughput or the ΔP valve. These measurements check the state of soiling of the combustion circuit (burner, body, exchanger(s)).

For installations with B23 and B23P, we recommend you take this measurement using a new air filter.

The measurement must be done for a duration of more than 3 minutes to obtain a sufficiently precise measurement.

If the gas throughput is less than 20% in relation to the value indicated in paragraph 3.3, page 16, it is necessary to clean the main exchanger and the burner (see § 7.10 and 7.11).

If you choose to take a measurement of the ΔP valve, refer to the next paragraph to find out how to do it. If the value measured is lower than the values defined in the table on page 54, it is necessary to clean the main exchanger and the burner (see § 7.10 and 7.11).

7.8. Setting the gas valve

This VARMAX boiler has been adjusted in the factory to operate with group H natural gas (type G20) with inlet gas pressure of 20 mbar.



WARNING:

Any work on adjusting the gas valve must be performed by a qualified professional.

The valve must be adjusted with the boiler working at maximum and minimum pressure. To do this, use the operating "Manual operating" mode (see § 3.3.4 of the NAVISTEM B3000 boiler command table instructions), which makes it possible to switch directly to the minimum or maximum value (0% or 100%).

7.8.1. For models 120 and 140

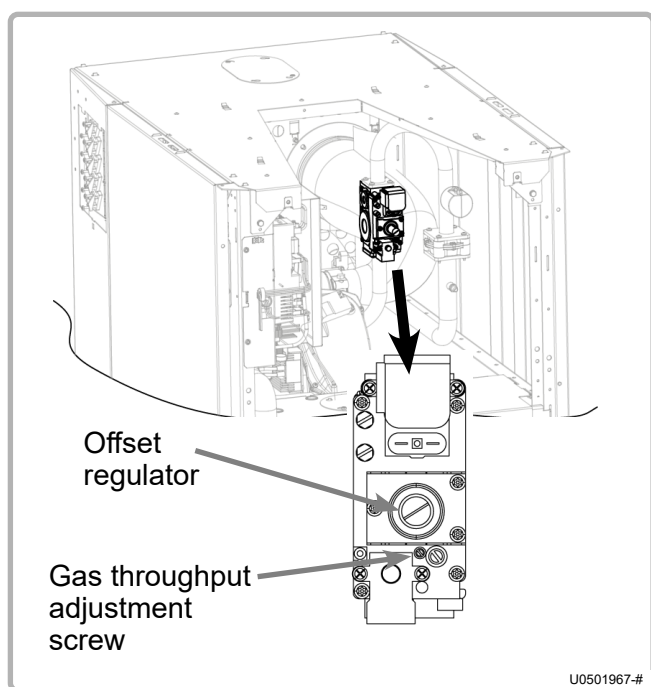


figure 43 - VARMAX gas valve models 120 and 140

Start the burner up at maximum power.

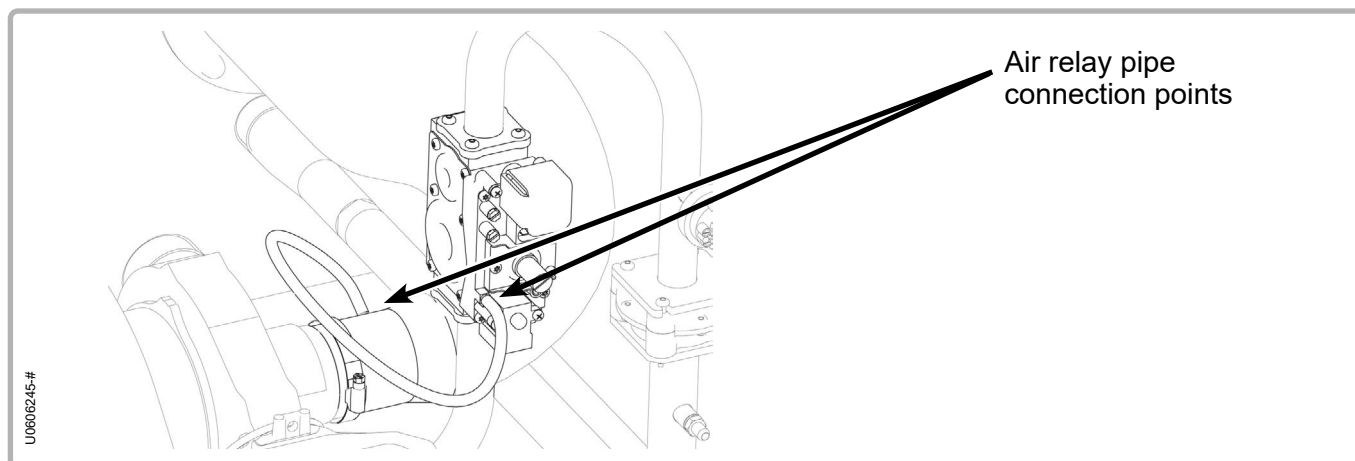
Using the combustion analyser, measure the rate of CO₂ in the flue-gases in the flue outlet (see figure 39).

Check the CO₂ value at Maximum power and, if necessary, manipulate the valve's gas throughput adjustment screw to obtain CO₂ values between 8.8% and 9.2% or between 10,4% and 10,8% (G31).

Move to Minimum power and check that the CO₂ value is between 8.3% and 8.7% (G20) or between 9,8% and 10,2% (G31). If necessary, adjust the Offset regulator by removing the stopper using a flat screwdriver and adjust the screw with a Philips screwdriver.

If changing the setting while on minimum power, switch back to Maximum power and check the CO₂ value again. Repeat until both values conform.

Go back to standard operating mode.



7.8.2. For models 180 to 600

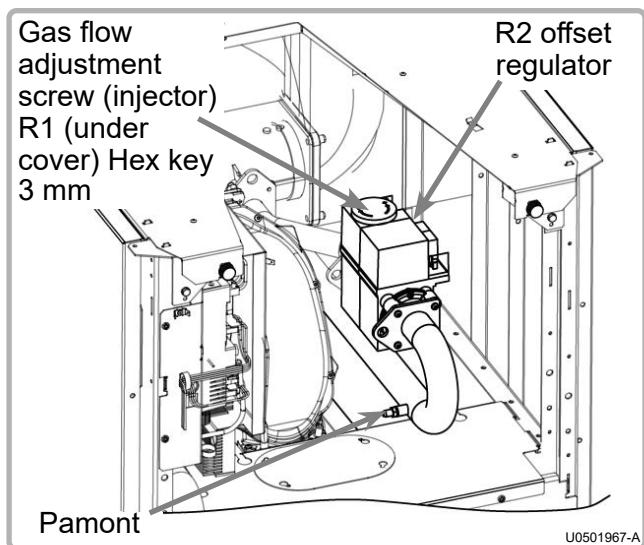


figure 44 - Gas valve models 180 to 450

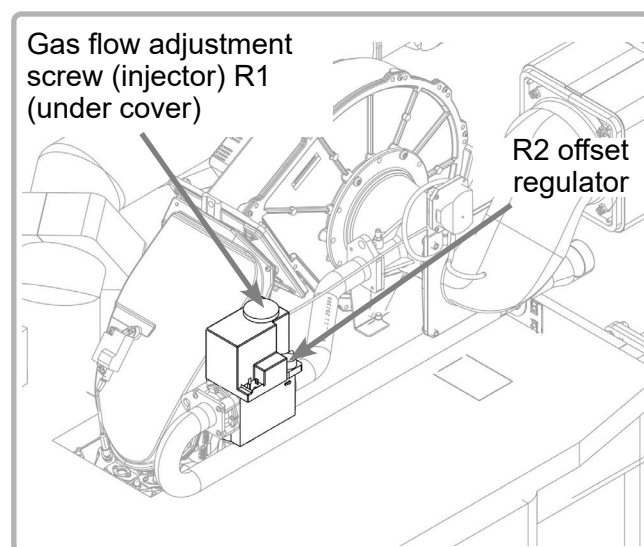


figure 45 - Gas valve models 525 and 600

The measurements for adjusting the valve must be made on the Pamont pressure tap (see figure opposite).

Before starting the burner, on the gas valve, preset the gas flow by acting on the gas flow adjustment screw R1 according to the values given in the table below.

Start the burner at maximum power.

Using a combustion analyzer, measure the rate of CO₂ in the flue gas: on the flue pipe, remove the plug from the opening and introduce the CO₂ measurement probe in the center of the flow in the flue pipe

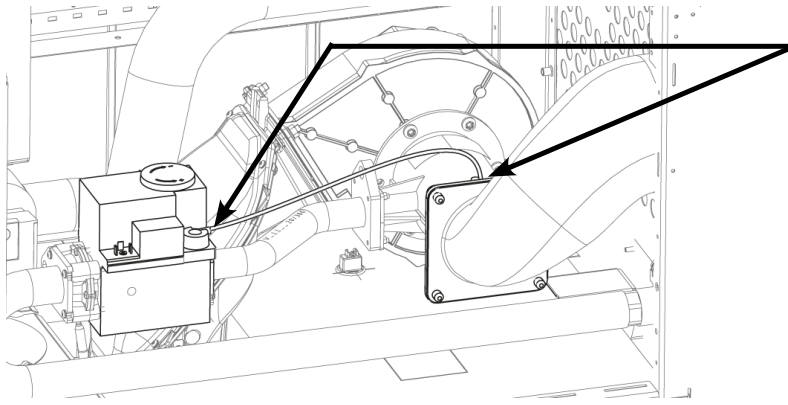
Check the CO₂ value at maximum power and if necessary, use the gas flow adjustment screw R1 on the valve to obtain the CO₂ values in the table below.

Change to minimum power Q_{min} and check that the CO₂ value is within the range of the table below. If necessary, act on the setpoint adjustment screw R2.

If the minimum power setting is changed, return to maximum power Q_{max} and recheck the CO₂ value. Repeat the operation until you obtain the two values in accordance with the table below.

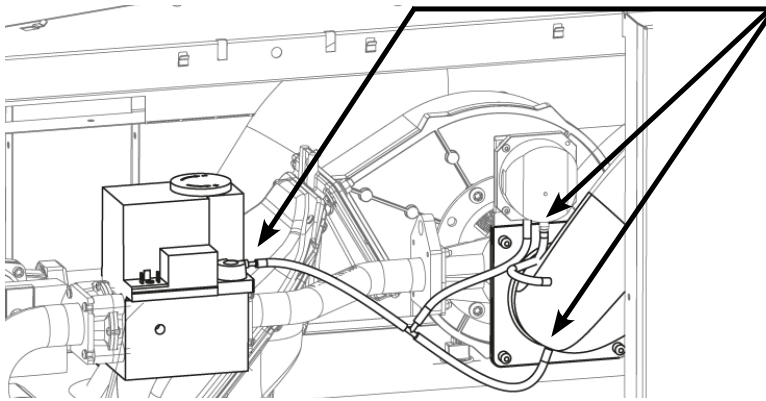
Return to standard operating mode.

U0587807-#

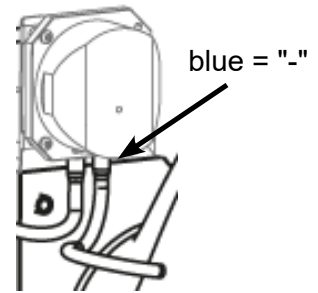


Air relay pipe connection points
(Models 180 and 225)

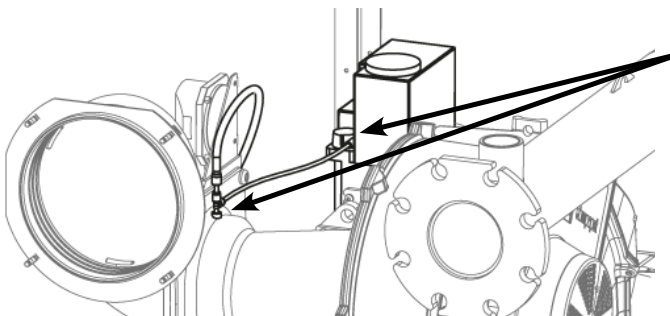
U0587843-A



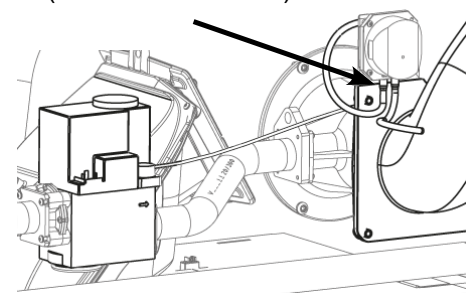
Air relay pipe connection points
(Models 275 and 320)



U0606222-#



Air relay pipe connection points (Models 390 to 600)



- After changing the type of gas:**
- Check the gas line for leaks.
 - Stick the supplied label in place of the original label.

Model	Gas	Gas flow adjustment screw presetting R1 and regulator set screw R2 / G20	CO ₂ Pmax	CO ₂ indicative Pmin
180	G20	Screw R1 fully Unscrew R1 by 2 3/4 turns, adjust R2	8,8 - 9,2	8,3 - 8,7
225	G20	Screw R1 fully Unscrew R1 by 2 3/4 turns, adjust R2		
275	G20	Screw R1 fully Unscrew R1 by 3 turns, adjust R2		
320	G20	Screw R1 fully Unscrew R1 by 3 turns, adjust R2		
390	G20	Screw R1 fully Unscrew R1 by 4 turns, adjust R2		
450	G20	Screw R1 fully Unscrew R1 by 4 turns, adjust R2		
525	G20	Screw R1 fully Unscrew R1 by 2,5 turns, adjust R2		
600	G20	Screw R1 fully Unscrew R1 by 2,5 turns, adjust R2		

7.9. Gas filter cleaning

- Unscrew the 4 screws that hold the gas filter in place.
- Carefully remove the gas filter.
- Clean the gas filter **ONLY** with a blower.
- Refit the filter and tighten the 4 M5 screws (tightening torque = 5 N.m).

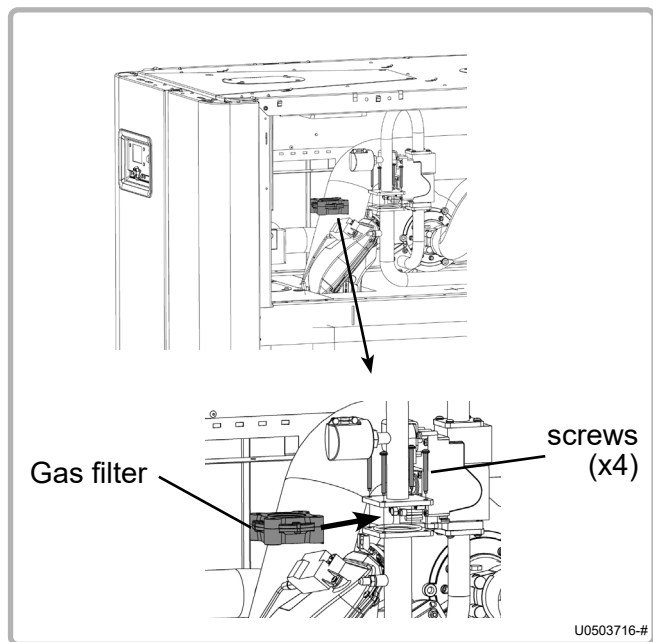


figure 46 - Gas filter on VARMAX 120 and 140

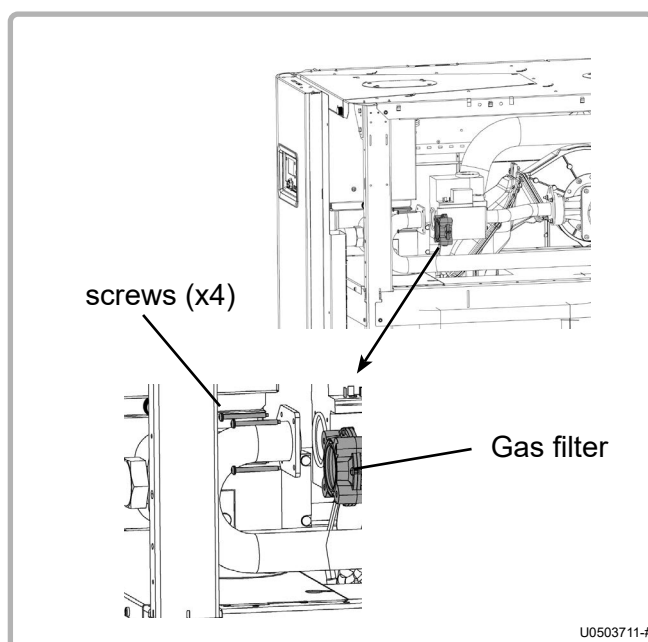


figure 47 - Gas filter on VARMAX 180 to 600



WARNING: Check gas-tightness after refitting.

7.10. Cleaning exchangers and changing seals

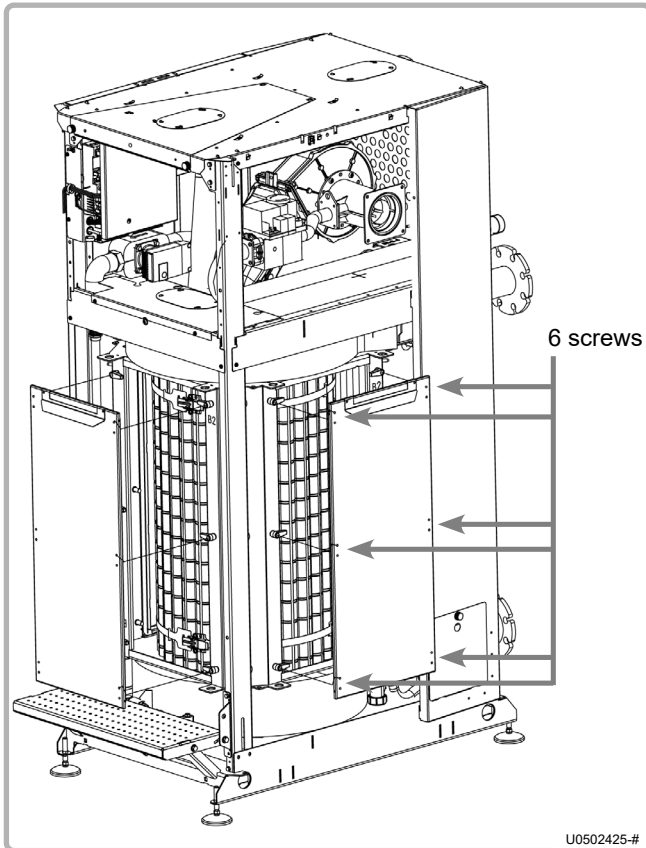


figure 48 - Removal of exchanger doors

Removal of exchanger doors:

- Remove the front and side cladding to access the 3 service doors.
- Using a 13mm wrench, unscrew the service door attachment screws until the tightening bolts turn.
- Then remove the door.
- Repeat for the other 2 service doors.

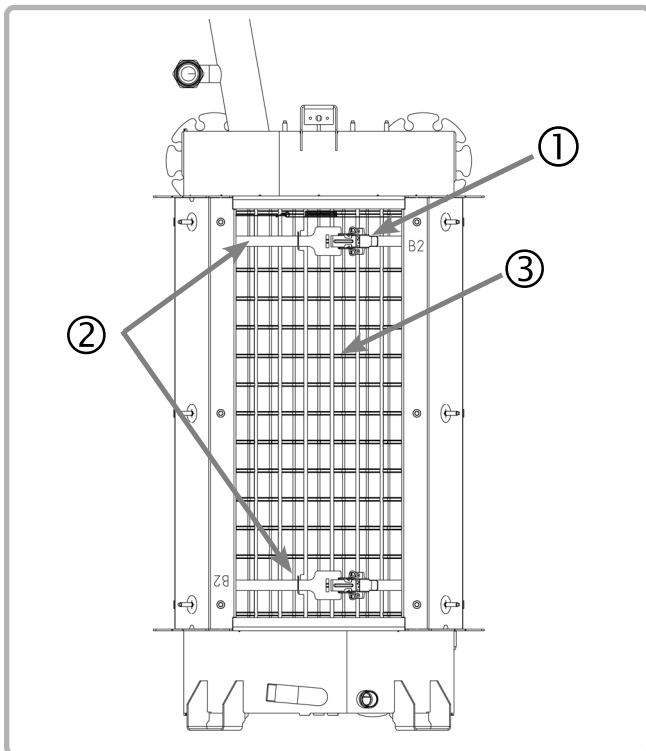


figure 49 - Removal of baffles

Removal of baffles:

- Open the fastenings (mark 1) that close the 2 flue-gas baffle strappings (mark 2).
- Remove the 2 strappings (mark them in some way so that you can refit them in the same order) and then remove the flue-gas baffles (marks 3). Mark these too so that you can refit them in the same position.

Cleaning baffles and exchangers:

- Brush the flue-gas baffles with a stainless steel or plastic brush, **so as not to geometrically deform them.**
- Clean by brushing or if the exchanger is very dirty, wash with water and then dry. If washing with water, be careful of the electrical parts.

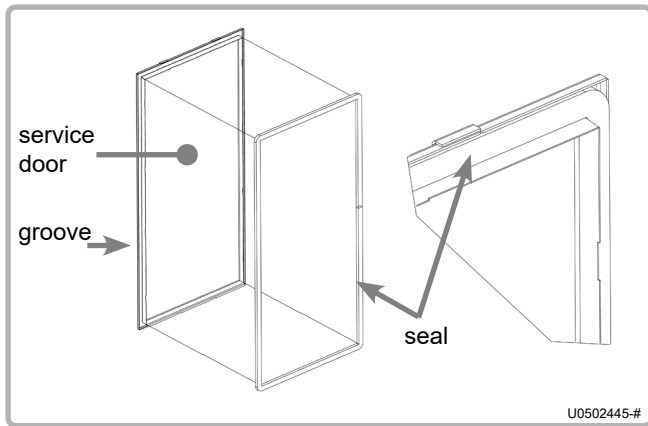


figure 50 - Changing door seals

Changing door seals:

- Remove the seals from their groove and replace with new seals from the maintenance kit (see figure 46).

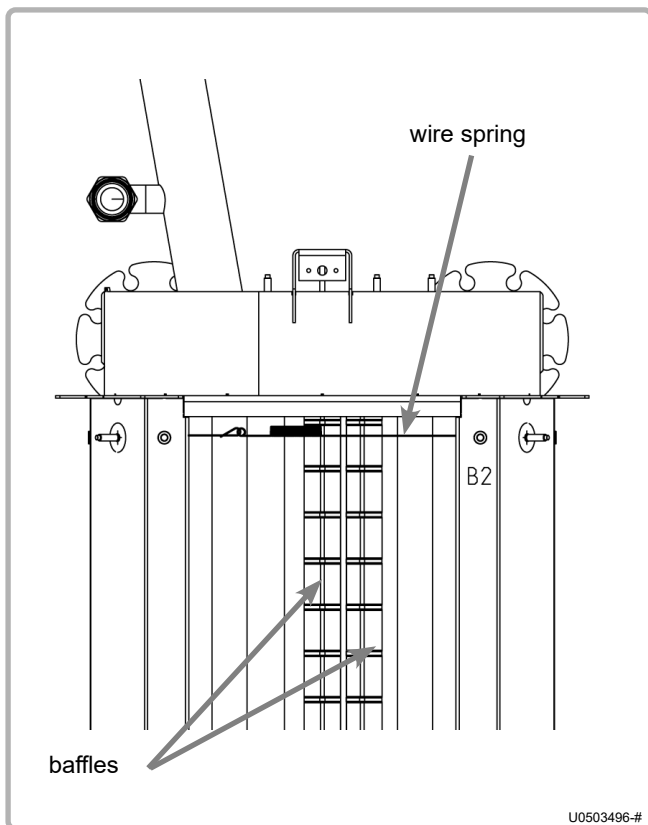


figure 51 - Refitting

Refitting:

- Insert the baffles under the wire spring between the top part of the exchanger tubes (see detail). Replace the baffles holding the strappings (mark 3) as shown on the diagram opposite.
- Position the strappings inside the pins of the baffles holding the strappings.
- Tighten the fastenings and ensure the baffles are correctly fitted to the exchanger tubes and **check that each of the baffles are correctly fitted on the exchanger tubes at their lower and upper ends.**

Note:

It is normal that the baffles are not fitted tightly in the area between the 2 strappings.

Checking gas-tightness:

- After refitting the 3 service doors (tightening torque of screws = 15 N.m), check the gas tightness using the foaming product around the service doors before starting the boiler up again (see chapter 7.6).

7.11. Cleaning the burner and changing the seals

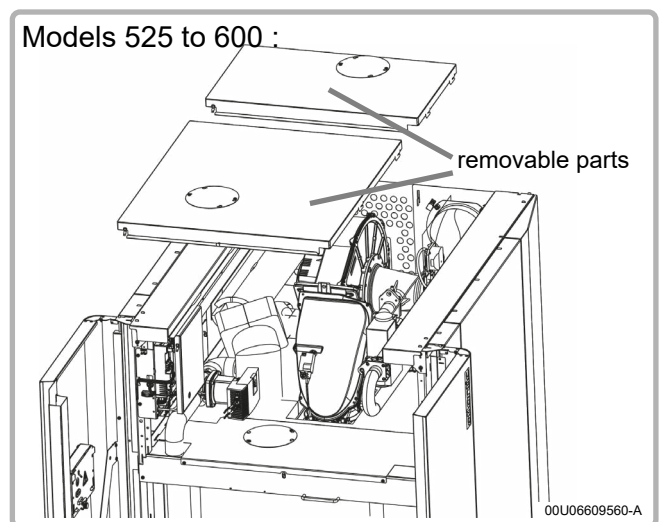
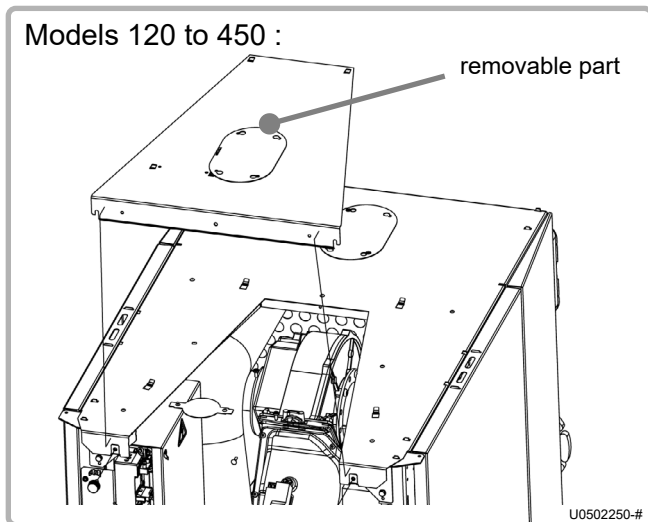


figure 52 - Removable upper doors

To facilitate access to the spool piece and then the gas tube, part of the upper door is removable.(see chapter 4.8).

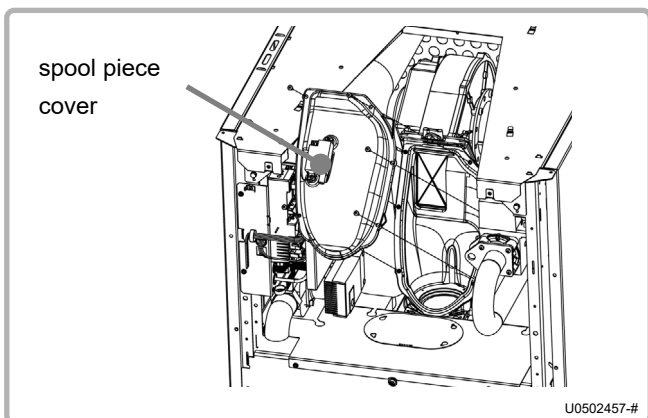


figure 53 - Removal of spool piece cover

Removing the burner tube:

- Remove the 2 electrode blocks before removing the burner tube (see chapter 7.4).
- Unscrew the attachment screws from the spool piece cover to remove it.

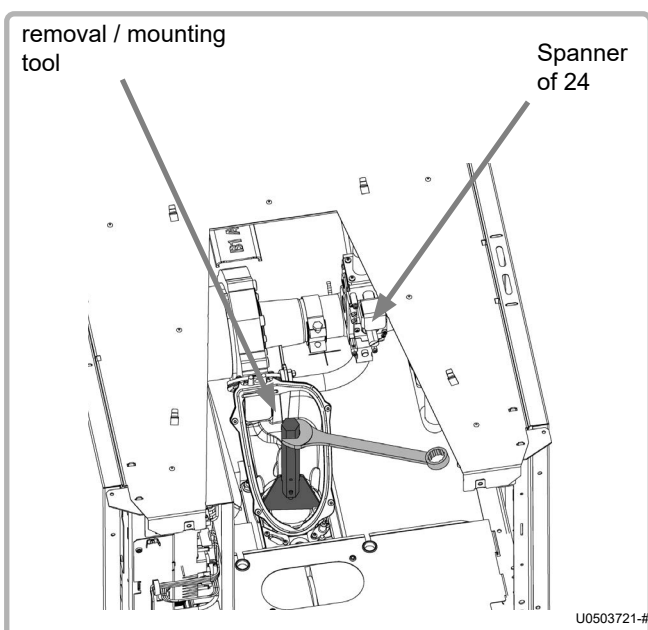


figure 54 - Release the burner tube

- Put the burner tube's removal / mounting tool in position (the tool is located under the gas line to the right of the sleeve cover).
- Position the tool in the slots of the tightening flange and compress on it (by pressing down) .

- Rotate the tool anticlockwise to unlock the ramp.

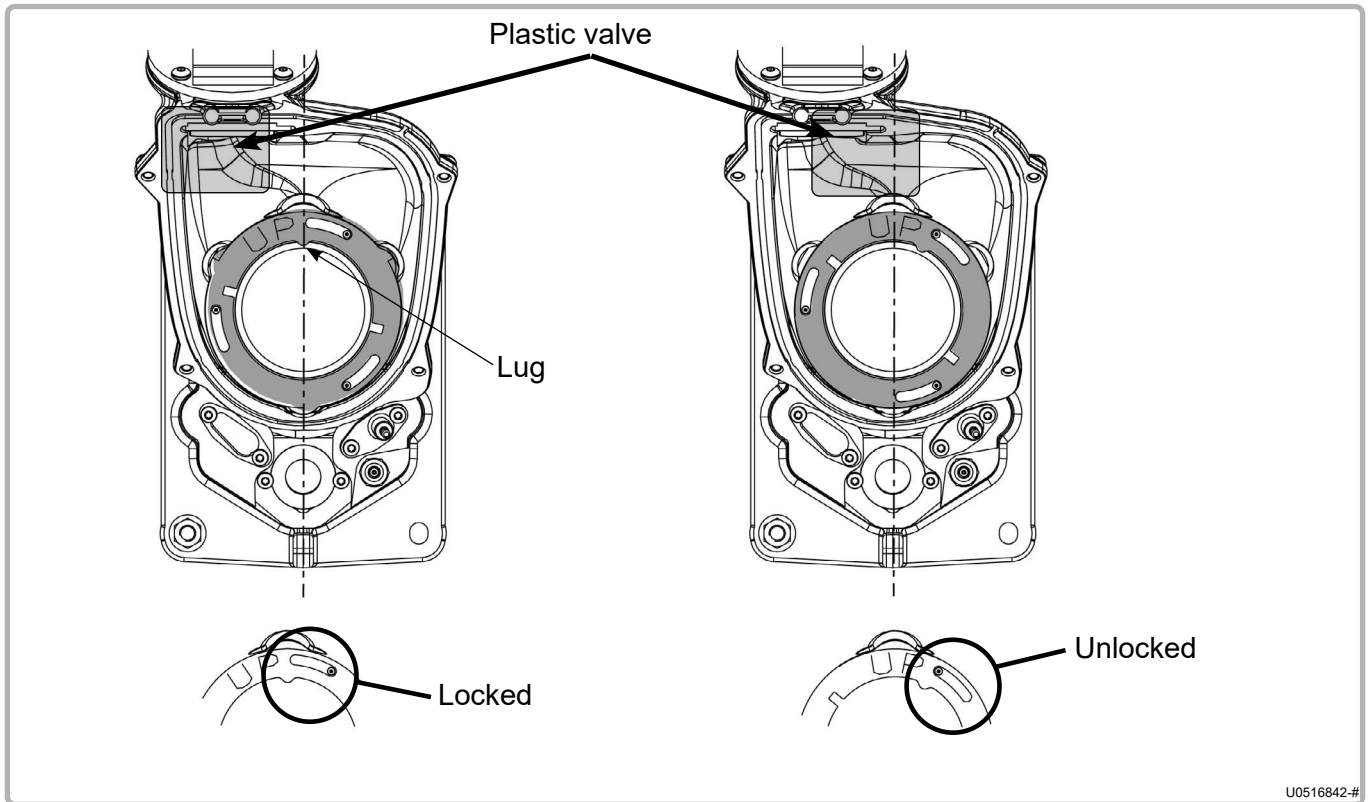


figure 55 - Positions of the fastening clamps

- Remove the clamp from the burner tube.
- Remove the burner tube.



WARNING:

Remove the plastic valve on the spool piece before removing the burner tube. Do not forget to put it back when refitting.



WARNING:

When removing the burner tube, be careful not to rub metal mesh against the spool piece.

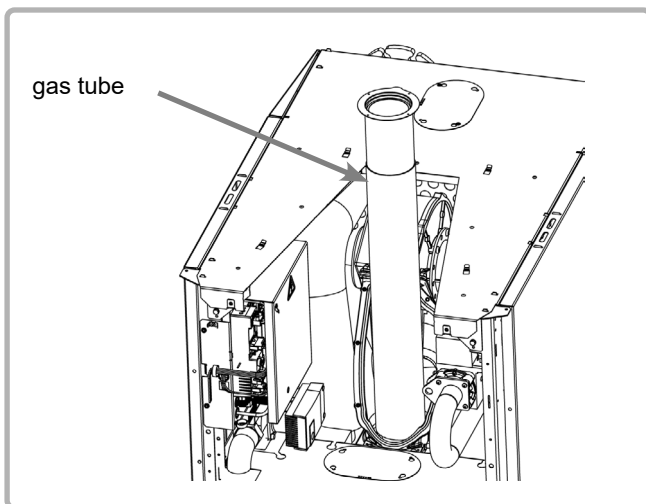


figure 56 - Cleaning the gas tube

Cleaning the burner tube:

- Suck out the entire surface in metal mesh using a vacuum cleaner.

**WARNING:**

**Keep a distance of 10 mm between the suction nozzle and the metal mesh. Any rubbing of the boiler tube may cause damage.
NEVER USE A METAL BRUSH.**

**WARNING:**

Replace the seal under the clamp on the burner tube.

Refitting:

- Put the burner tube into the spool piece (be careful not to rub the metal mesh on the spool piece). A directional pin enables the burner tube to be correctly positioned.
- Position the clamp (the word "UP" must be visible and the inner lug must be positioned on the rear axis of the boiler - see figure 47)
- Position the burner tube's removal / mounting tool in the slots in the clamp.
- Compress by pushing downwards and rotate the tool in a clockwise direction to lock the tube (see figure 47).

- Check the seal on the spool piece's cover and replace if necessary.
- Position the cover over the spool piece.
- Screw the cover onto the spool piece using the screws (tightening torque = 5 N.m).
- Refit the 2 electrode blocks.

**WARNING:**

Check the different seals after mounting. If using a foaming product, be careful of the ionisation electrode's electrical connection.

8. END-OF-LIFE CYCLE OF THE APPARATUS

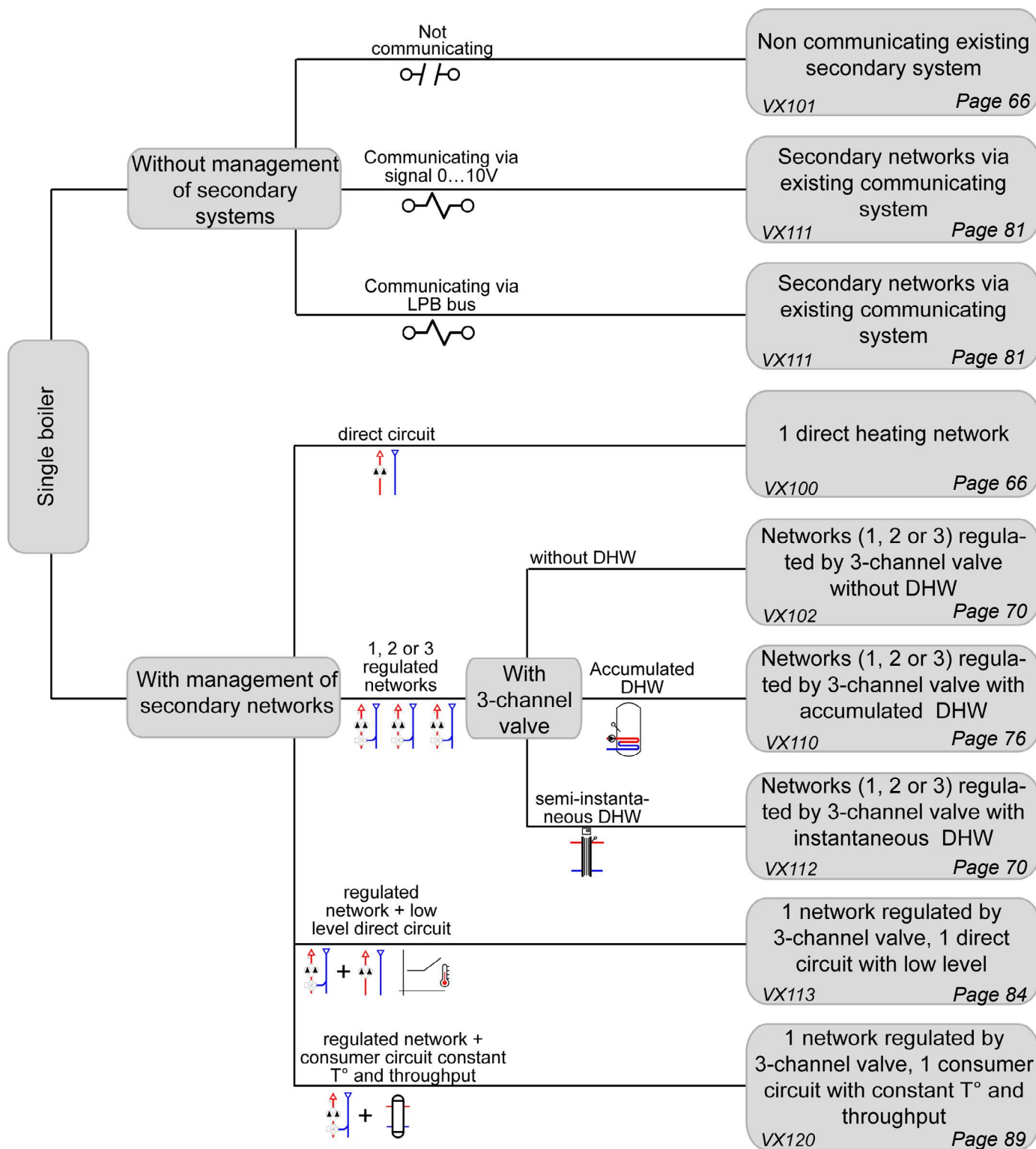
Regulatory disposal and managed recycling of this product can prevent damage to the environment and health risks.

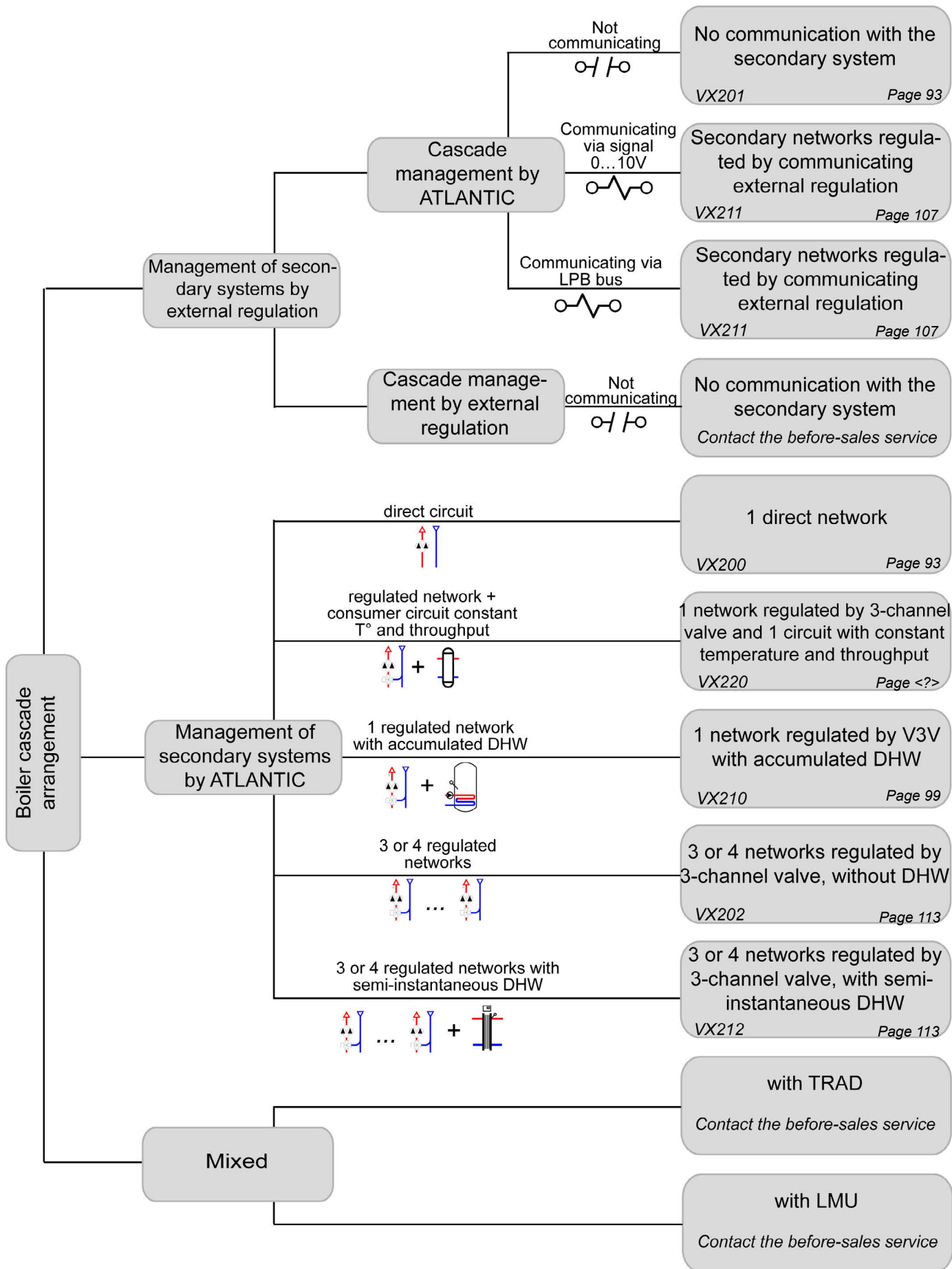
- a) For the disposal of the product and the component parts, the services of an accredited waste disposal company should be used.
- b) For more information on waste disposal/management, contact the Local Authority responsible for waste management or the point of sales where the product was purchased




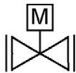
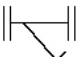
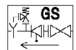


9. HYDRAULIC DIAGRAMS AND SETTINGS


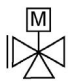




9.1. Selection flow diagram





9.2. Symbols used in the diagrams

Symbol	Function
	Open isolating valve
	Motorised 2 channel valve
	Filter
	Burner control
	Sediment well
	External sensor

Symbol	Function
	Balancing valve
	Motorised 3 channel valve
	Non-return valve
	Pump
	Drain valve
	Temperature sensor

9.3. List of diagrams



WARNING:

Operation at constant temperature with variable flow and immediate DHW production directly on heat plate exchanger without buffer tank forbidden.

SINGLE BOILER	66
1 direct heating network or existing non-communicative secondary system.....	66
VX100 VX101	
3 regulated networks with or without DHW production.....	70
VX102 VX112	
1 network regulated by a 3-channel valve, and DHW production	76
VX110	
Secondary networks with existing regulation communicating by LPB bus or 0...10V	81
VX111	
1 network regulated by a 3-channel valve, 1 direct circuit with 60°C low level	84
VX113	
1 network regulated by a three-channel valve, 1 circulation circuit with constant temperature and throughput	89
VX120	
BOILERS IN A CASCADE CONFIGURATION	93
1 direct network, no communication with the secondary network	93
VX200 VX201	
1 network regulated by a three-channel valve, DHW production or 1 direct circuit with constant temperature and throughput ...	99
VX210 VX220	
Secondary networks regulated by external regulated communicating by LPB bus or 0...10V	107
VX211	
3 or 4 networks regulated by a three-channel valve with or without DHW production	113
VX202 VX212	

SINGLE BOILER

1 direct heating network or existing non-communicative secondary system

Diagrams

VX100

VX101

page 1 / 4

A. MAIN AND ALTERNATIVE HYDRAULIC DIAGRAMS

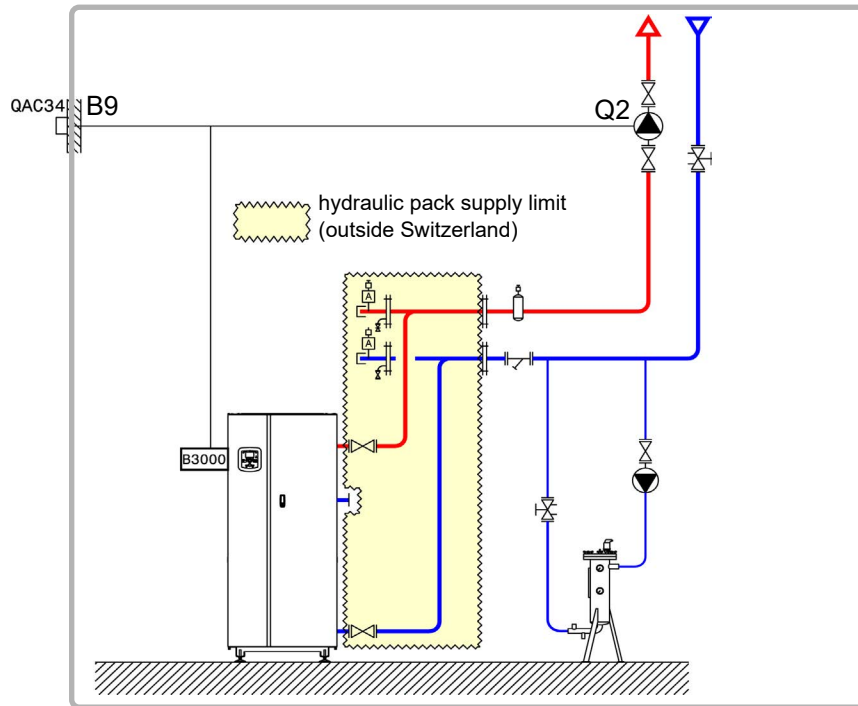


figure 57 - Diagram VX100

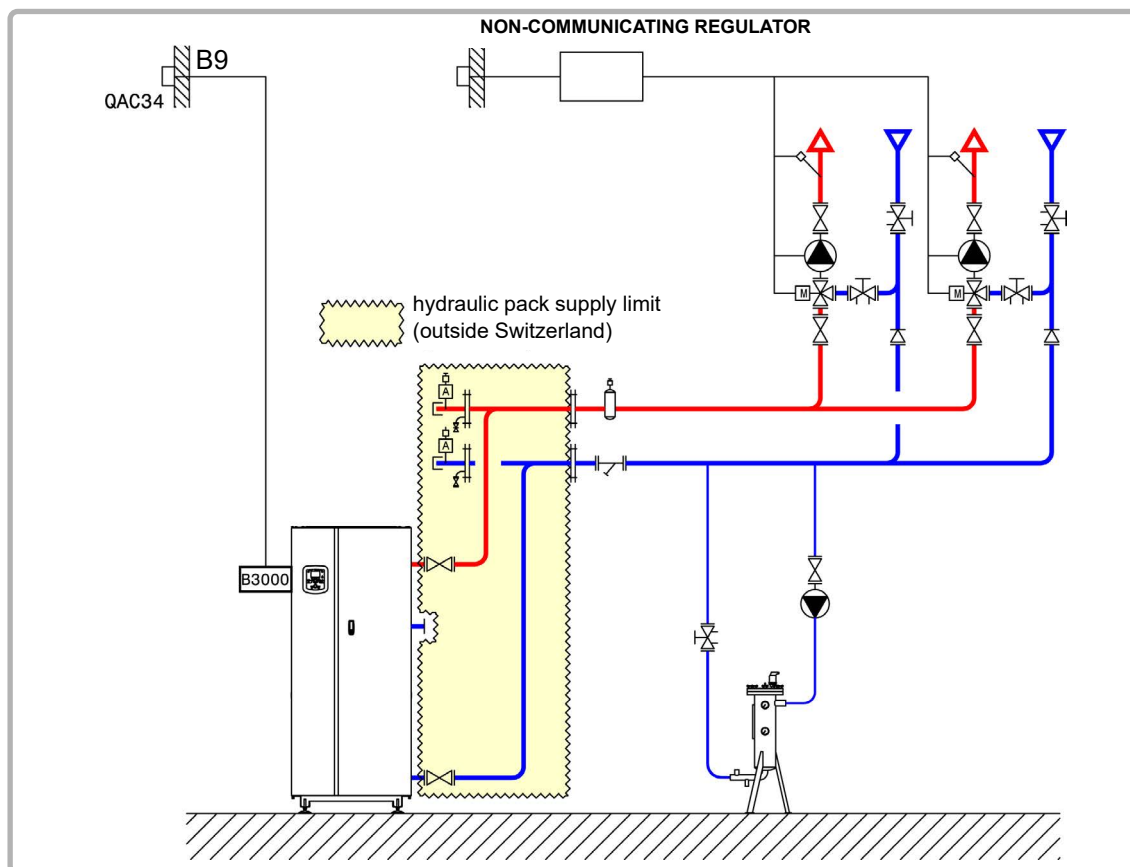
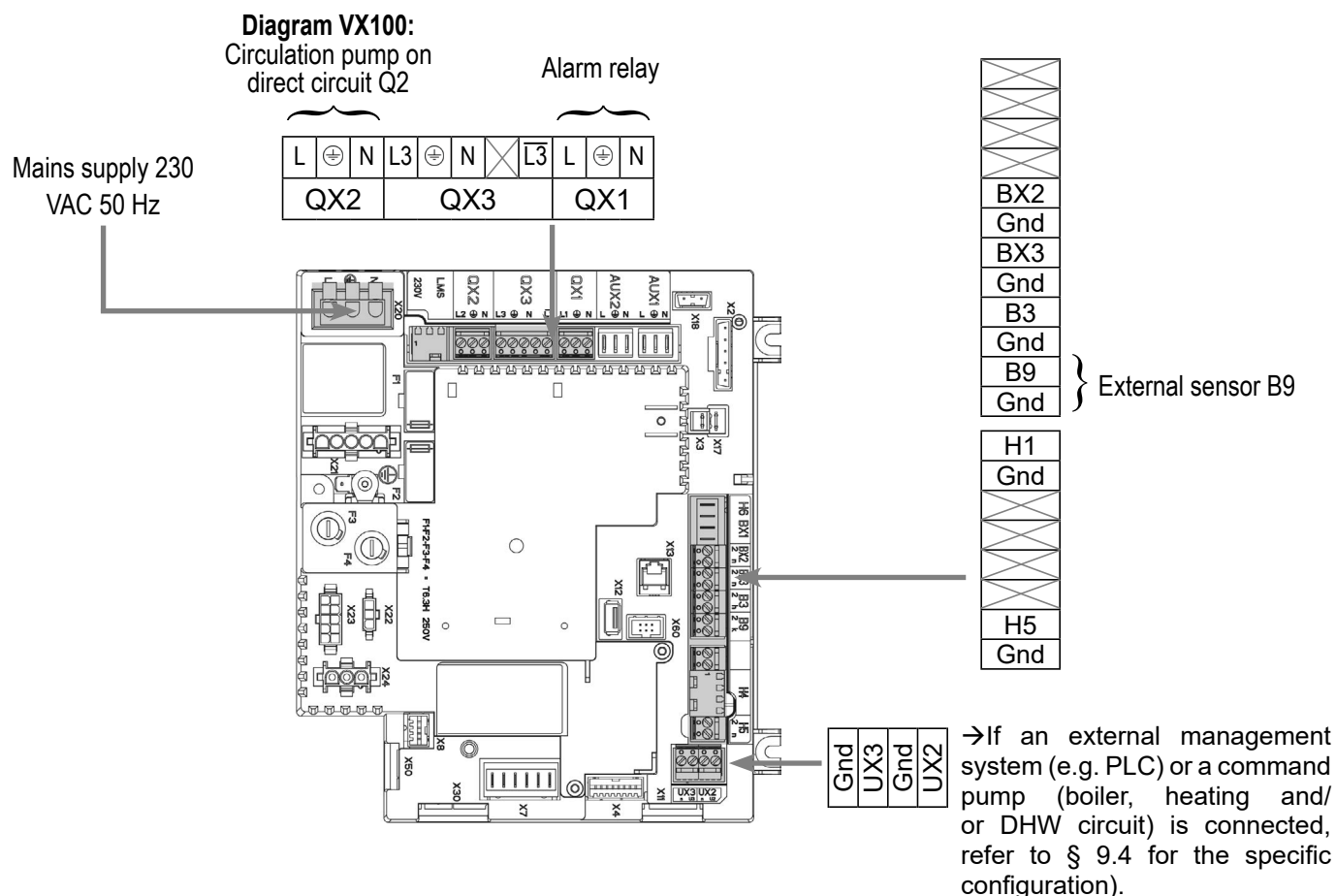


figure 58 - Diagram VX101 (alternative)

B. NECESSARY ADJUSTMENT ACCESSORY

	Quantity	Appliance reference	Order No.
External sensor kit	1	QAC 34	059260

C. CUSTOMER ELECTRICAL CONNECTION



D. SPECIFIC START-UP PROCEDURE

- ☞ Fit the accessories and make their electrical connections.
- ☞ Start up the boiler alone.
- ☞ Make the following settings:

- **Time and date** menu

- Set the time

- Set the date

- Set the year

- **Configuration** menu

- Start up the heating circuit 1

- Define the pump outlet Q2 (**diagram VX100**)

Line No.	Value
Time / minute (1)	HH.MM
Day / month (2)	DD.MM
Year (3)	YYYY
Heating circuit 1 (5710)	On
QX2 relay outlet (5891)	Pump HC1 Q2

	<i>Line No.</i>	<i>Value</i>
• Heating circuit 1 menu		
Set the comfort setting	Comfort setting temperature (710)	---
Set the curve slope	Heating curve slope (720)	---
• Switch the heating mode to permanent comfort		

E. ELECTRICAL AND HYDRAULIC VALIDATION

• Input/output test menu		
Check the outputs		
Alarm relay	Relay test (7700)	Relay output QX1
Heating circuit No. 1 pump (diagram VX100)	Relay test (7700)	Relay output QX2
Reset outputs	Relay test (7700)	No test
Check sensor values		
External sensor B9	External T° B9 (7730)	in °C

F. OPTIMISATION OF SETTINGS

• Heating circuit 1 menu		
Set the reduced setting	Reduced temperature setting (712)	---
• HC1 time programme menu		
Preselection	Preselection (500)	---
Adjust the time programme	On / Off phases (501...506)	---
• Circuit HC1 holiday menu		
Preselection	Preselection (641)	---
Adjust the time programme	On / Off phases (642-643)	---

	<i>Line No.</i>	<i>Value</i>
<ul style="list-style-type: none"> • <i>Configuration</i> menu <ul style="list-style-type: none"> Activate the heating circuits' frost protection mode 	<div style="border-left: 1px solid black; padding-left: 5px;">Frost protection plant (6120)</div>	<div style="border-left: 1px solid black; padding-left: 5px;">On</div>
<ul style="list-style-type: none"> • Switch the heating mode to automatic 		AUTO

Maintenance optimisation:

It is possible to generate a maintenance message without harming the boiler. This maintenance message may appear when the 3 following meters have elapsed:

- Time since last maintenance (or commissioning): set parameter 7044 to 12 months
- Operating hours of the burner (parameter 7040)
- Number of start-ups (parameter 7042)

The last 2 parameters depend on the boiler room's hydraulic installation. It is recommended to use at least parameter 7044 for yearly maintenance.

<h2 style="margin: 0;">SINGLE BOILER</h2> <p style="margin: 0;"><i>3 regulated networks with or without DHW production</i></p>	<p>Diagrams VX102 VX112 page 1 / 6</p>
--	--

A. MAIN AND ALTERNATIVE HYDRAULIC DIAGRAMS

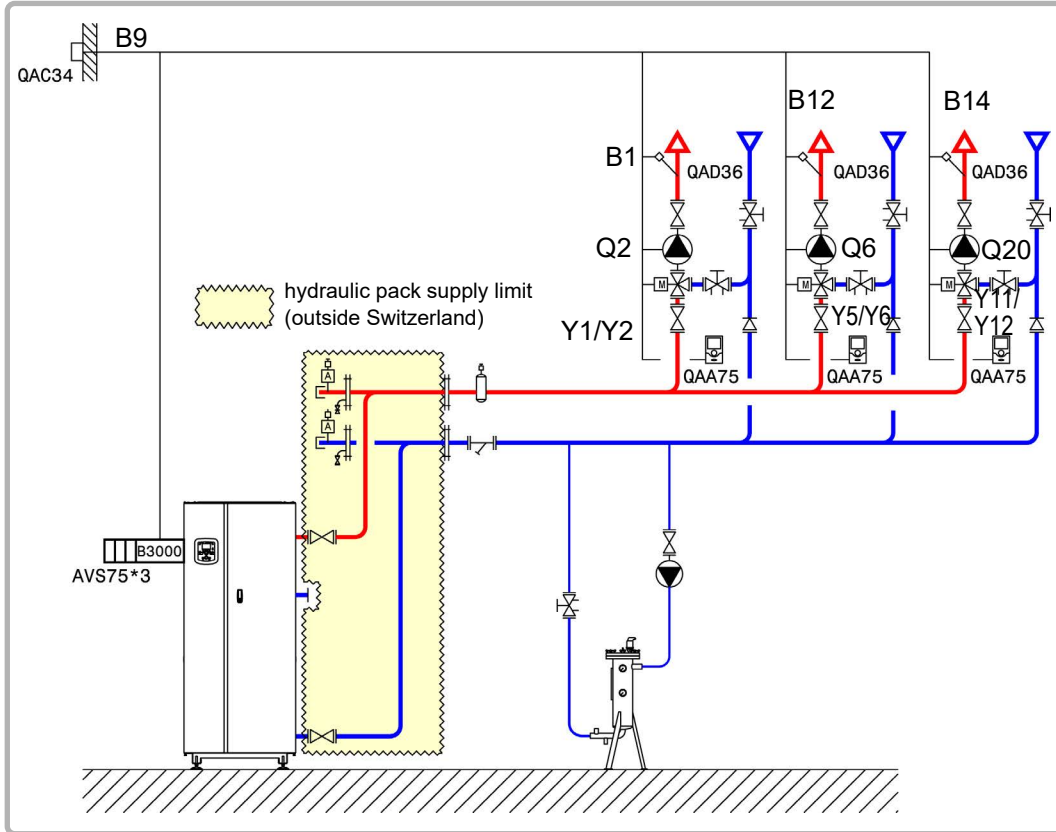


figure 59 - Diagram VX102

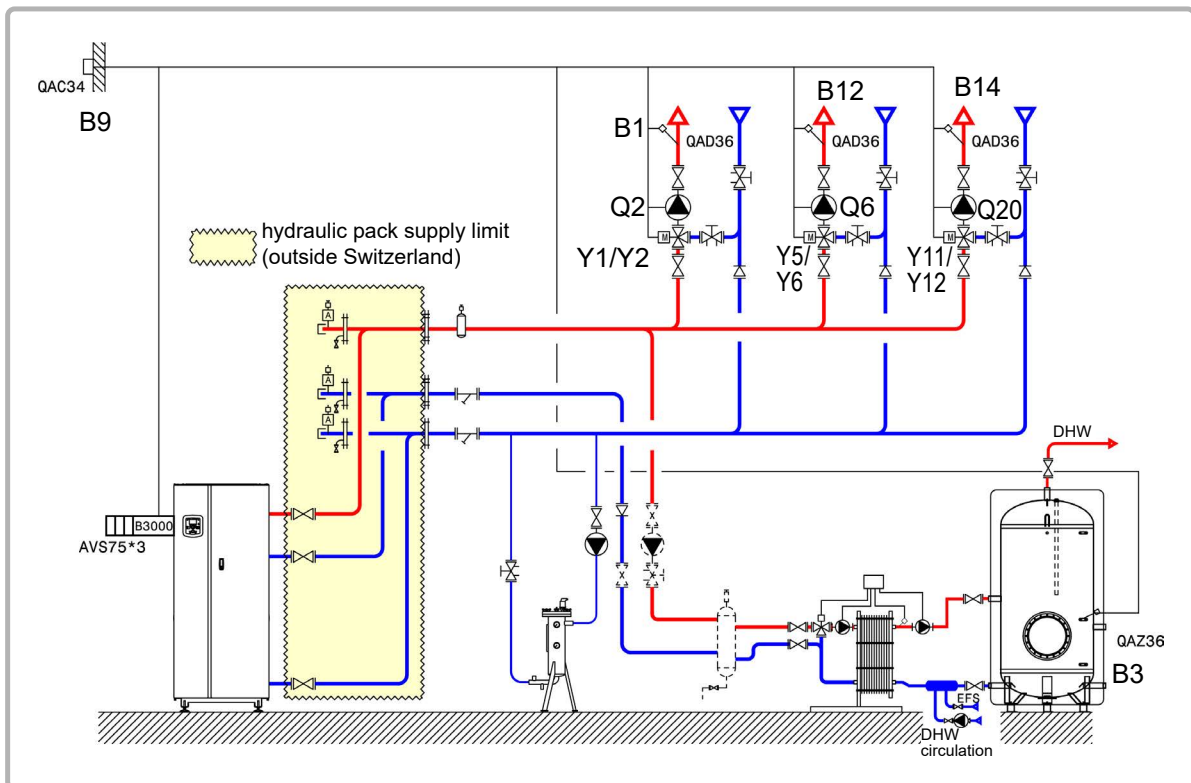
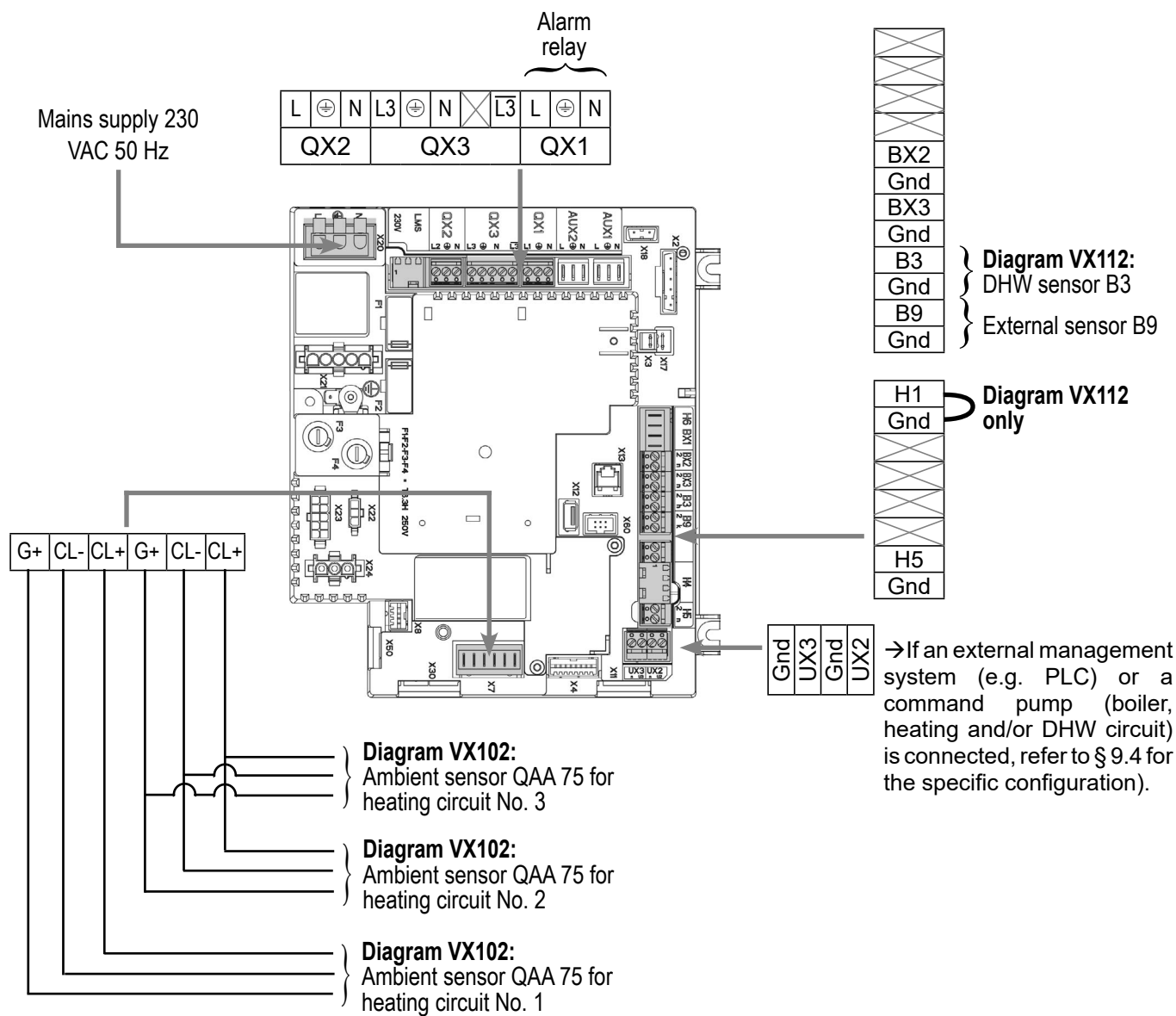


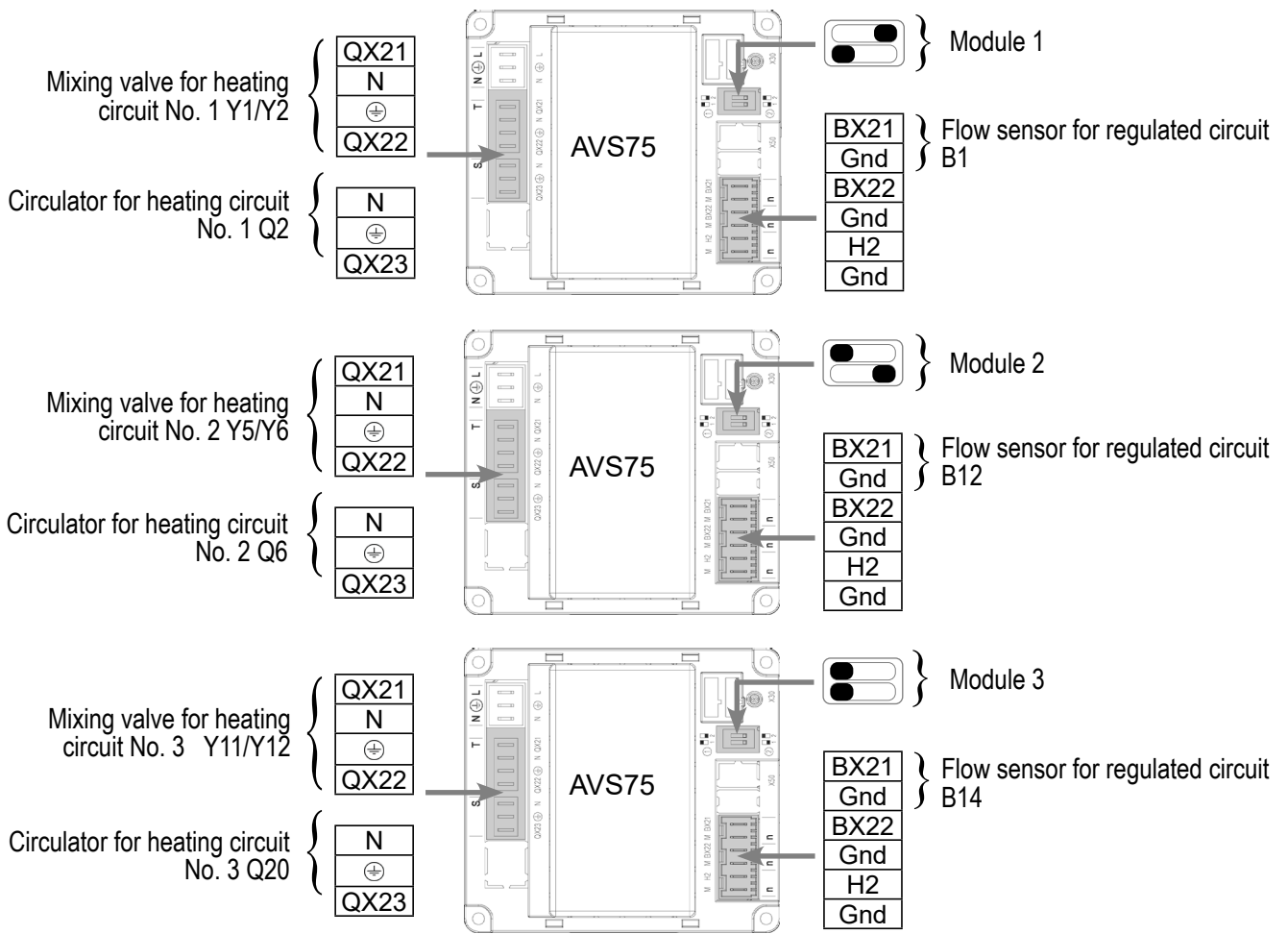
figure 60 - Diagram VX112 (alternative)

B. NECESSARY ADJUSTMENT ACCESSORIES

	Quantity	Appliance reference	Order No.
Extension module kit (delivered with a QAD 36 network sensor)	3	AVS 75	059751
External sensor kit	1	QAC 34	059260
Ambient sensor kit (diagram VX102)	3	QAA 75	040954
DHW sensor kit (diagram VX112)	1	QAZ 36	059261

C. CUSTOMER ELECTRICAL CONNECTION





D. SPECIFIC START-UP PROCEDURE

Fit the accessories and make their electrical connections.

WARNING: Ensure the switches on the extension modules AVS75 are properly configured.

Start up the boiler alone.

Make the following settings:

• **Time and date menu**

Set the time

Line No.	Value
Time / minute (1)	HH.MM

Set the date

Day / month (2)	DD.MM
-----------------	-------

Set the year

Year (3)	YYYY
----------	------

• **Configuration menu**

Start up the heating circuit 1



Heating circuit 1 (5710)	On
--------------------------	----

Start up the heating circuit 2

Heating circuit 2 (5715)	On
--------------------------	----

Start up the heating circuit 3

Heating circuit 3 (5721)	On
--------------------------	----

	<i>Line No.</i>	<i>Value</i>
Diagram VX112 only:		
Define a low level	Input function H1 (5950)	Circulation circuit demand 1
Install a shunt on H1 OR reverse the direction of contact	Type of contact (5951)	Rest contact
For the DHW to be effective, it is necessary to define a trigger, even if it is not connected.	Output via relay QX2 (5891)	Pump/valve ECS Q3
Configure the extension modules	Function of extension module 1 (6020)	Heating circuit 1
	Function of extension module 2 (6021)	Heating circuit 2
	Function of extension module 3 (6022)	Heating circuit 3
<ul style="list-style-type: none"> • Heating circuit 1 / 2 / 3 menu 		
For each circuit		
Set the comfort setting	Temperature of comfort setting (710/1010/1310)	---
Set the curve slope	Slope of the heating curve(720/1020/1320)	---
<ul style="list-style-type: none"> • Switch the heating mode to permanent comfort 		
Diagram VX112 only:		
<ul style="list-style-type: none"> • Circulation circuit 1 menu 		
Set the starting value to use in the event of a demand from the circulation circuit	Starting value in case of circuit demand (1859)	60°C (depends on Rubis setting)
<ul style="list-style-type: none"> • Domestic hot water menu 		
Set the comfort setting	Comfort setpoint (1610)	55 °C
Set the DHW release mode	DHW release (1620)	24/7
<ul style="list-style-type: none"> • Activate DHW mode 		

E. ELECTRICAL AND HYDRAULIC VALIDATION

	<i>Line No.</i>	<i>Value</i>
• <i>Input/output test</i> menu		
Check the outputs		
Alarm relay	Relay test (7700)	Relay output QX1
All relays of extension modules	Relay test (7700)	Relay output QX
Reset outputs	Relay test (7700)	No test
Check sensor values		
External sensor B9	External T° B9 (7730)	in °C
DHW sensor B3	DHW temperature B3/B38 (7750)	in °C
Flow sensor B1	Temperature sensor BX21 module 1 (7830)	in °C
Flow sensor B12	Temperature sensor BX21 module 2 (7832)	in °C
Flow sensor B14	Temperature sensor BX21 module 3 (7834)	in °C
Diagram VX112 only:		
Check the condition of contact H1	Condition of contact H1 (7841)	Closed if the shunt is in place

F. OPTIMISATION OF SETTINGS

Optimisation of the heating circuits:

	<i>Line No.</i>	<i>Value</i>
• <i>Heating circuit 1 / 2 / 3</i> menu		
Set the reduced setting	Reduced temperature setting (712/1012/1312)	---
• <i>Time programme HC1 / HC2 / HC3</i> menu		
Preselection	Preselection (500/520/540)	---
Adjust the time programme	On / Off phases (501...506) (521...526) (541...546)	---
• <i>Holiday circuit HC1 / HC2 / HC3</i> menu		
Preselection	Preselection (641/651/661)	---
Adjust the time programme	On / Off phases (642-643) (652-653) (662-663)	---

	<i>Line No.</i>	<i>Value</i>
<ul style="list-style-type: none"> • <u>Configuration</u> menu 		
Activate the heating circuits' frost protection mode	Frost protection plant (6120)	On
Switch the heating mode to automatic		AUTO

Optimisation of DHW:

	<i>Line No.</i>	<i>Value</i>
<ul style="list-style-type: none"> • <u>DHW storage tank</u> menu 		
Adjust the boost	Starting value of boost temperature (5020)	16 °C

Maintenance optimisation:

It is possible to generate a maintenance message without harming the boiler. This maintenance message may appear when the 3 following meters have elapsed:

- Time since last maintenance (or commissioning): set parameter 7044 to 12 months
- Operating hours of the burner (parameter 7040)
- Number of start-ups (parameter 7042)

The last 2 parameters depend on the boiler room's hydraulic installation. It is recommended to use at least parameter 7044 for yearly maintenance.

G. SETTING AMBIENT SENSORS

Connect each sensor to a heating circuit:

	<i>Line No.</i>	<i>Value</i>
<ul style="list-style-type: none"> • <u>User interface</u> menu of each ambient sensor 		
Configure the ambient sensor with a heating circuit	Use (40)	Ambient appliance 1 or 2 or 3

Each ambient sensor allows its heating circuit to be configured. Ambient sensors 1, 2 and 3 respectively set parameters 712 (heating circuit 1), 1012 (heating circuit 2) and 1312 (heating circuit 3).

SINGLE BOILER

1 network regulated by a 3-channel valve, and DHW production

Diagram

VX110

page 1 / 5

A. HYDRAULIC DIAGRAM

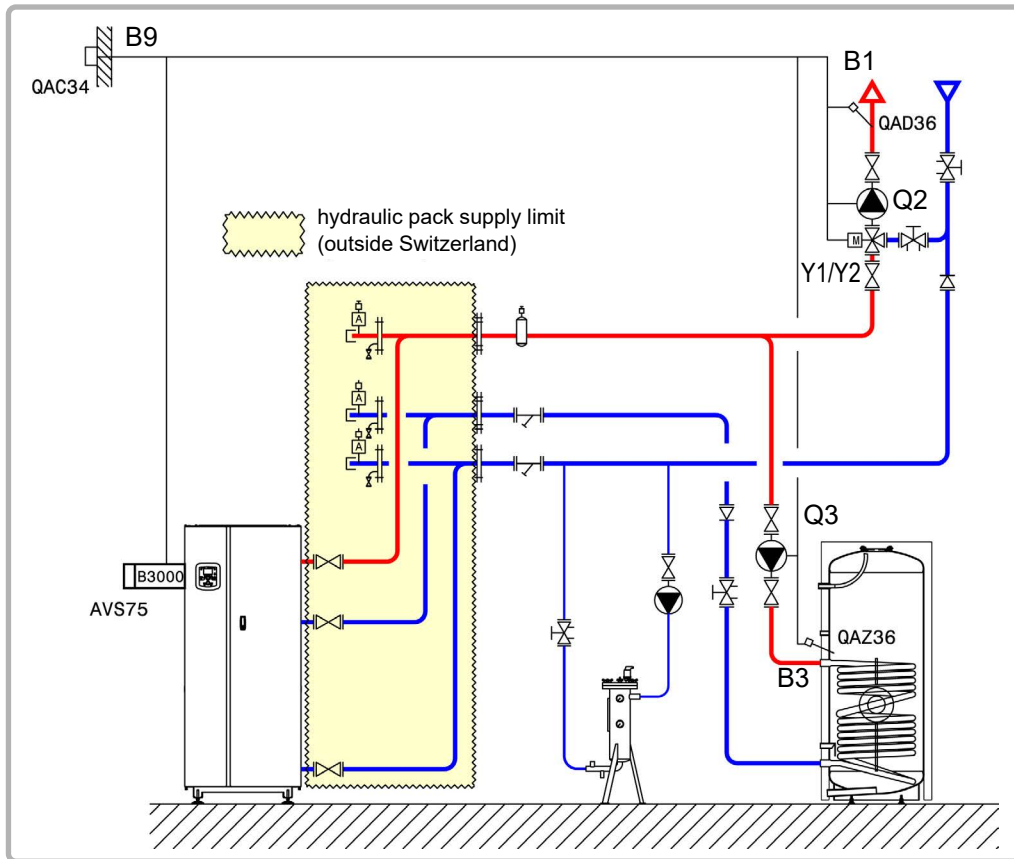




figure 61 - VX110 diagram

B. NECESSARY ADJUSTMENT ACCESSORIES

	Quantity	Appliance reference	Order No.
Extension module kit (delivered with a QAD 36 network sensor)	1	AVS 75	059751
DHW sensor kit	1	QAZ 36	059261
External sensor kit	1	QAC 34	059260

	<i>Line No.</i>	<i>Value</i>
• Time and date menu		
Set the time	Time / minute (1)	HH.MM
Set the date	Day / month (2)	DD.MM
Set the year	Year (3)	YYYY
• Configuration menu		
Start up the heating circuit 1	Heating circuit 1 (5710)	On
Configure the DHW pump	Output via relay QX2 (5891)	Pump/valve ECS Q3
Configure extension module 1	Function of extension module 1 (6020)	Heating circuit 1
• Heating circuit 1 menu		
Set the comfort setting	Comfort setting temperature (710)	---
Set the curve slope	Heating curve slope (720)	---
• Switch the heating mode to permanent comfort		
• Domestic hot water menu		
Set the comfort setting	Comfort setpoint (1610)	---
• Activate DHW mode		

E. ELECTRICAL AND HYDRAULIC VALIDATION

	<i>Line No.</i>	<i>Value</i>
• Input/output test menu		
Check the outputs		
Alarm relay	Relay test (7700)	Relay output QX1
DHW pump Q3	Relay test (7700)	Relay output QX2
Opening V3V HC	Relay test (7700)	Relay output QX21 module 1
Closing V3V HC	Relay test (7700)	Relay output QX22 module 1
HC pump	Relay test (7700)	Relay output QX23 module 1

Diagram VX110

	Line No.	Value
Reset outputs...module...	Relay test (7700)	No test
Check sensor values		
External sensor B9	External T° B9 (7730)	in °C
DHW sensor B3	DHW temperature B3/B38 (7750)	in °C
Flow sensor B1	Temperature sensor BX21 module 1 (7830)	in °C

F. OPTIMISATION OF SETTINGS

Optimisation of heating circuit:

	Line No.	Value
<ul style="list-style-type: none"> • Heating circuit 1 menu 		
Set the reduced setting	Reduced temperature setting (712)	---
<ul style="list-style-type: none"> • HC1 time programme menu 		
Preselection	Preselection (500)	---
Adjust the time programme	On / Off phases (501...506)	---
<ul style="list-style-type: none"> • Circuit HC1 holiday menu 		
Preselection	Preselection (641)	---
Adjust the time programme	On / Off phases (642-643)	---
<ul style="list-style-type: none"> • Configuration menu 		
Activate the heating circuits' frost protection mode	Frost protection plant (6120)	On
<ul style="list-style-type: none"> • Switch the heating mode to automatic 		AUTO

Optimisation of DHW:

	Line No.	Value
• Domestic hot water menu		
Set the reduced setting	Reduced setting (1612)	---
Set the DHW release mode	DHW release (1620)	Time programme 4/ DHW
• Time programme 4 / ECS menu		
Preselection	Preselection (560)	---
Adjust the time programme	On / Off phases (561...566)	---
• DHW storage tank menu		
Adjust the boost	Starting value of boost temperature (5020)	---
• Domestic hot water menu		
Configure an anti-legionella function	Anti-legionella function (1640)	---
	Periodic anti-legionella function (1641)	---
	Day week anti-legionella function (1642)	---
	Anti-legionella temperature setting (1645)	---
	Duration of anti-legionella function (1646)	---

Maintenance optimisation:

It is possible to generate a maintenance message without harming the boiler. This maintenance message may appear when the 3 following meters have elapsed:

- Time since last maintenance (or commissioning): set parameter 7044 to 12 months
- Operating hours of the burner (parameter 7040)
- Number of start-ups (parameter 7042)

The last 2 parameters depend on the boiler room's hydraulic installation. It is recommended to use at least parameter 7044 for yearly maintenance.

<h2 style="margin: 0;">SINGLE BOILER</h2> <p style="margin: 0;"><i>Secondary networks with existing regulation communicating by LPB bus or 0...10V</i></p>	<p style="margin: 0;">Diagram VX111 page 1 / 3</p>
--	---

A. HYDRAULIC DIAGRAM

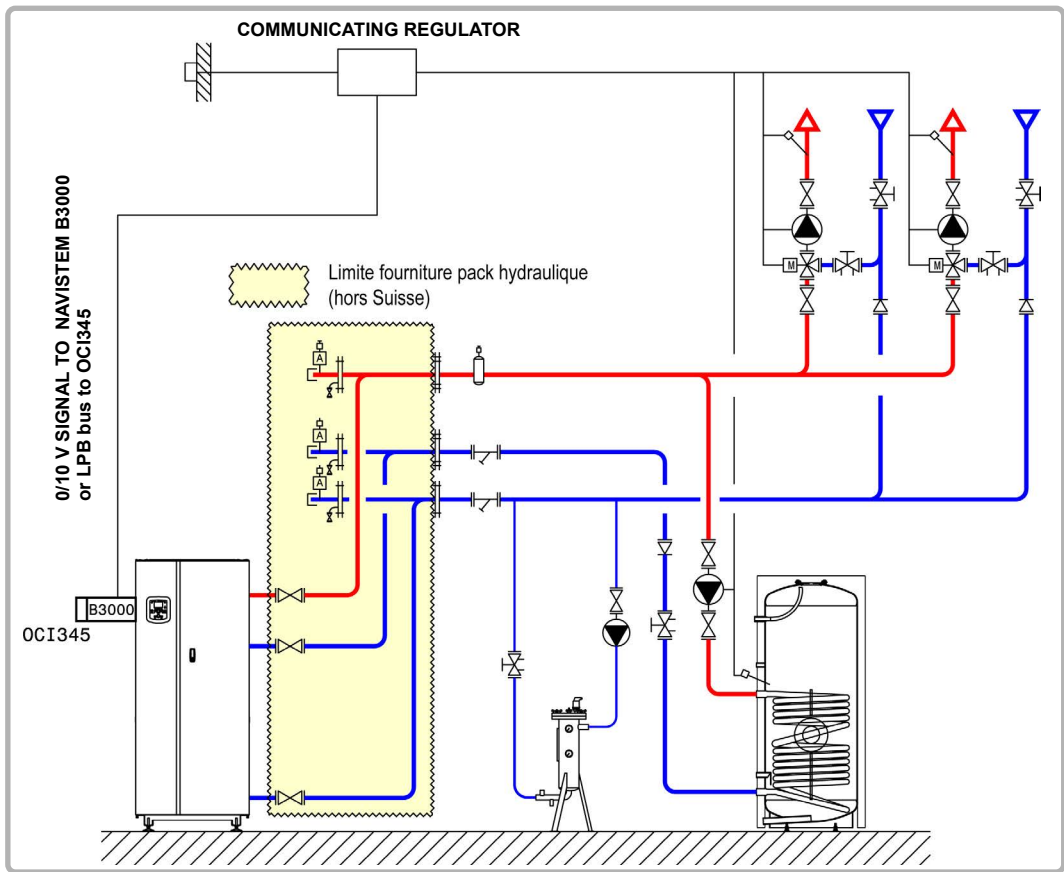
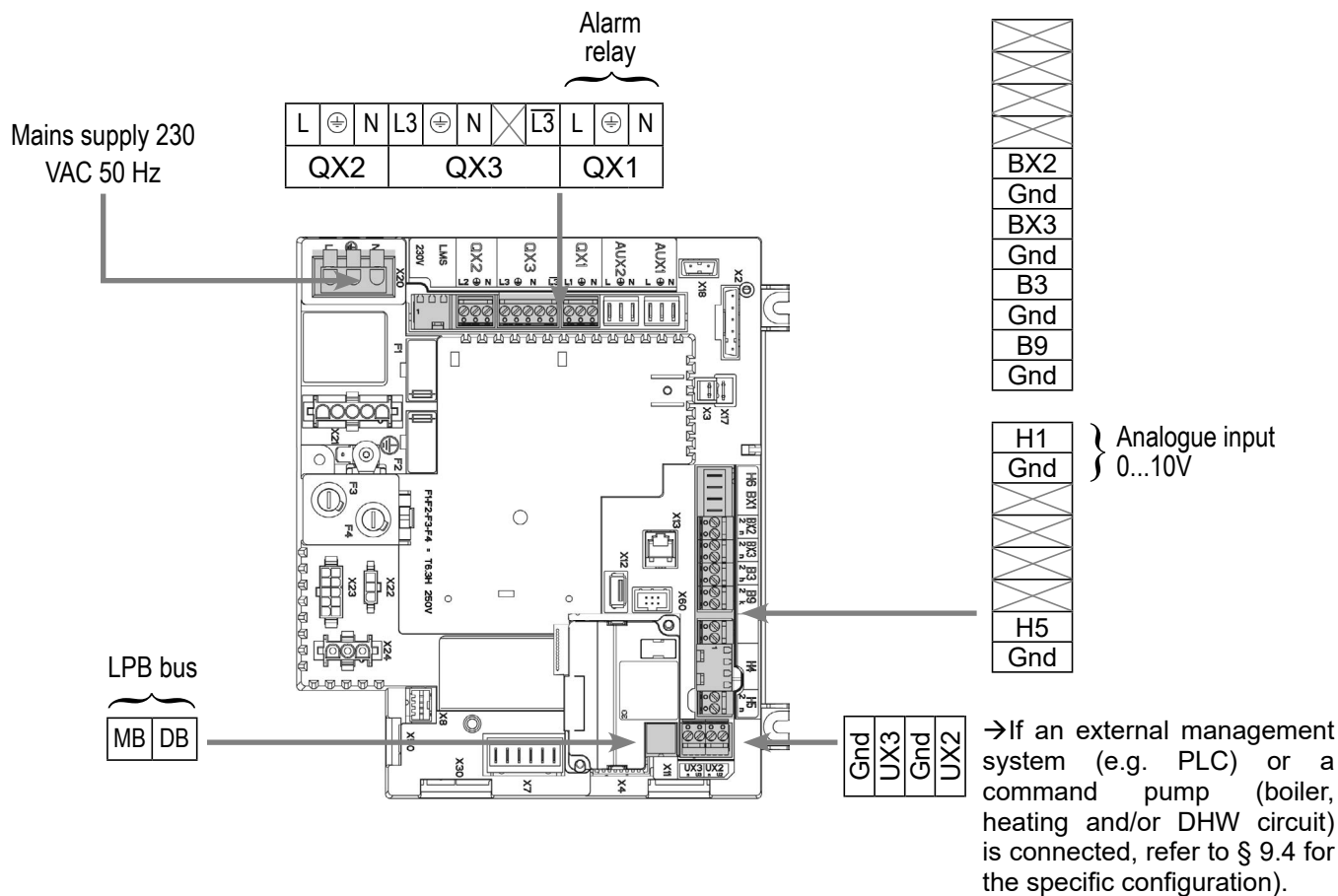


figure 62 - Diagram VX111

B. NECESSARY ADJUSTMENT ACCESSORY

	Quantity	Appliance reference	Order No.
Communication kit for LPB bus	1	OCI 345	059752

C. CUSTOMER ELECTRICAL CONNECTION



D. SPECIFIC START-UP PROCEDURE

- ☞ Fit the accessories and make their electrical connections.
- ☞ Start up the boiler alone.
- ☞ Make the following settings:

• **Time and date** menu

- Set the time
- Set the date
- Set the year

Line No.	Value
Time / minute (1)	HH.MM
Day / month (2)	DD.MM
Year (3)	YYYY

For a demand via input 0...10V

• **Configuration** menu

- Configure input H1

Input function H1 (5950)	Demand from circulation circuit
Voltage value 1 H1 (5953)	1 10V
Function value H1 (5954)	0.0
Voltage value 2 H1 (5955)	0
Function value 2 H1 (5956)	10.0
	1000 (for 10 V = 100 °C equivalence)

Warning the boiler considers a heat demand for a voltage $H1 > 0.2 V$ and a resulting setpoint $> 6 ° C$ *.

The boiler no longer considers a heat demand for a voltage $H1 < 0.2V$ or a resulting setpoint $< 4 ° C$ *.

In this second case, the boiler isolation valve will close. If the installation does not include a hydraulic decoupling bottle, all the network pumps must be stopped at the risk of causing them to cavitate.

* : according to scale given in parameter "5956"

	Line No.	Value
For a demand via LPB (LPB network menu)		
• LPB network menu		
Check that the boiler has been defined as the master generator	Appliance address (6600)	1
	Segment address (6601)	0
	Bus supply function (6604)	Automatic
	Clock function (6640)	Slave with adjustment

E. ELECTRICAL AND HYDRAULIC VALIDATION

For a demand via input 0...10V

• **Input/output test menu**

Voltage in H1	Voltage signal H1 (7840)	To validate with the voltage sent by the boiler room machine
---------------	--------------------------	--

For a demand via LPB

If the boiler room regulator is configured as the master clock, the boiler command table must recover the date and time.

In both cases

F. OPTIMISATION OF SETTINGS

Maintenance optimisation:

It is possible to generate a maintenance message without harming the boiler. This maintenance message may appear when the 3 following meters have elapsed:

- Time since last maintenance (or commissioning): set parameter 7044 to 12 months
- Operating hours of the burner (parameter 7040)
- Number of start-ups (parameter 7042)

The last 2 parameters depend on the boiler room's hydraulic installation. It is recommended to use at least parameter 7044 for yearly maintenance.

<h2 style="margin: 0;">SINGLE BOILER</h2> <p style="margin: 0;"><i>1 network regulated by a 3-channel valve, 1 direct circuit with 60°C low level</i></p>	<p>Diagram VX113</p> <p>page 1 / 5</p>
---	---

A. HYDRAULIC DIAGRAM

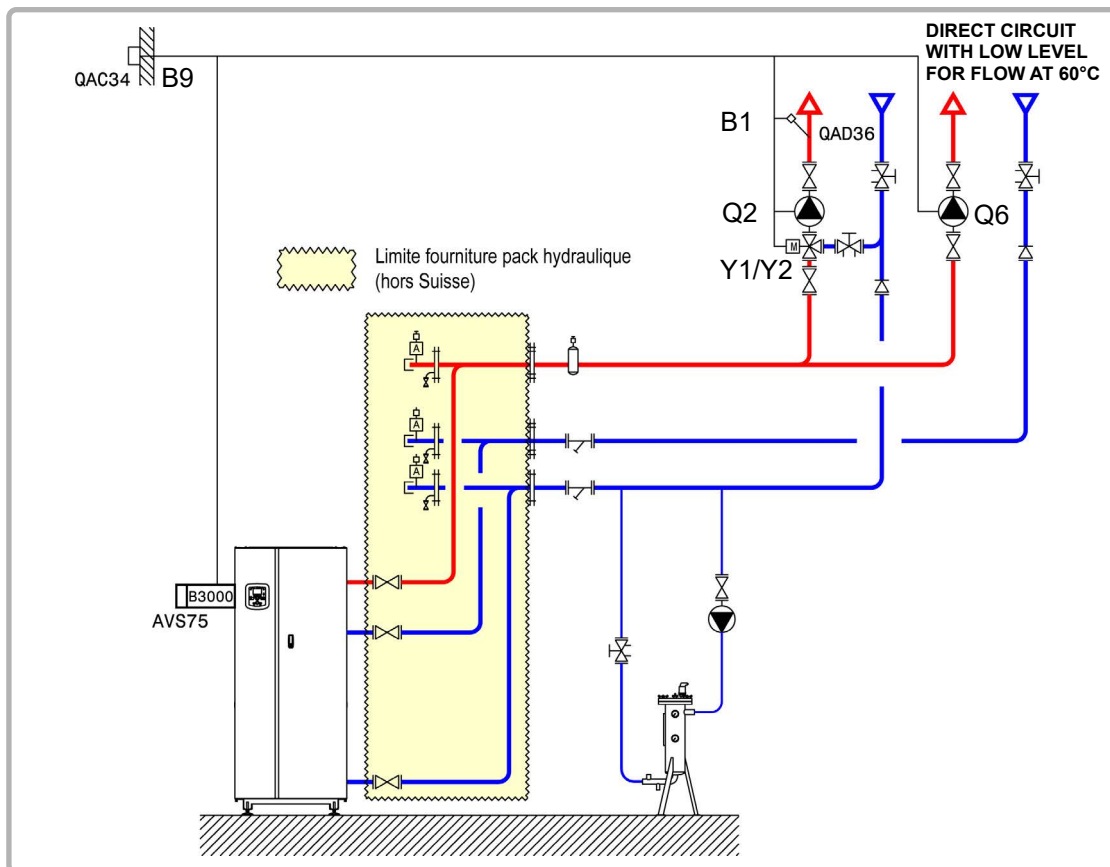
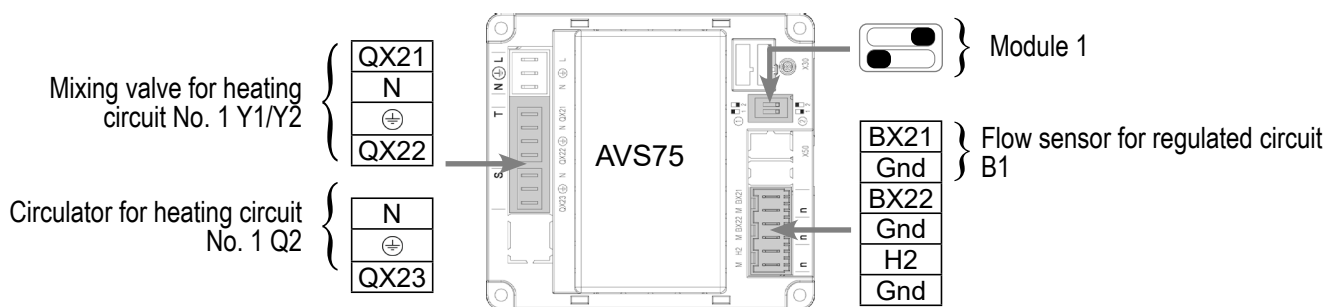
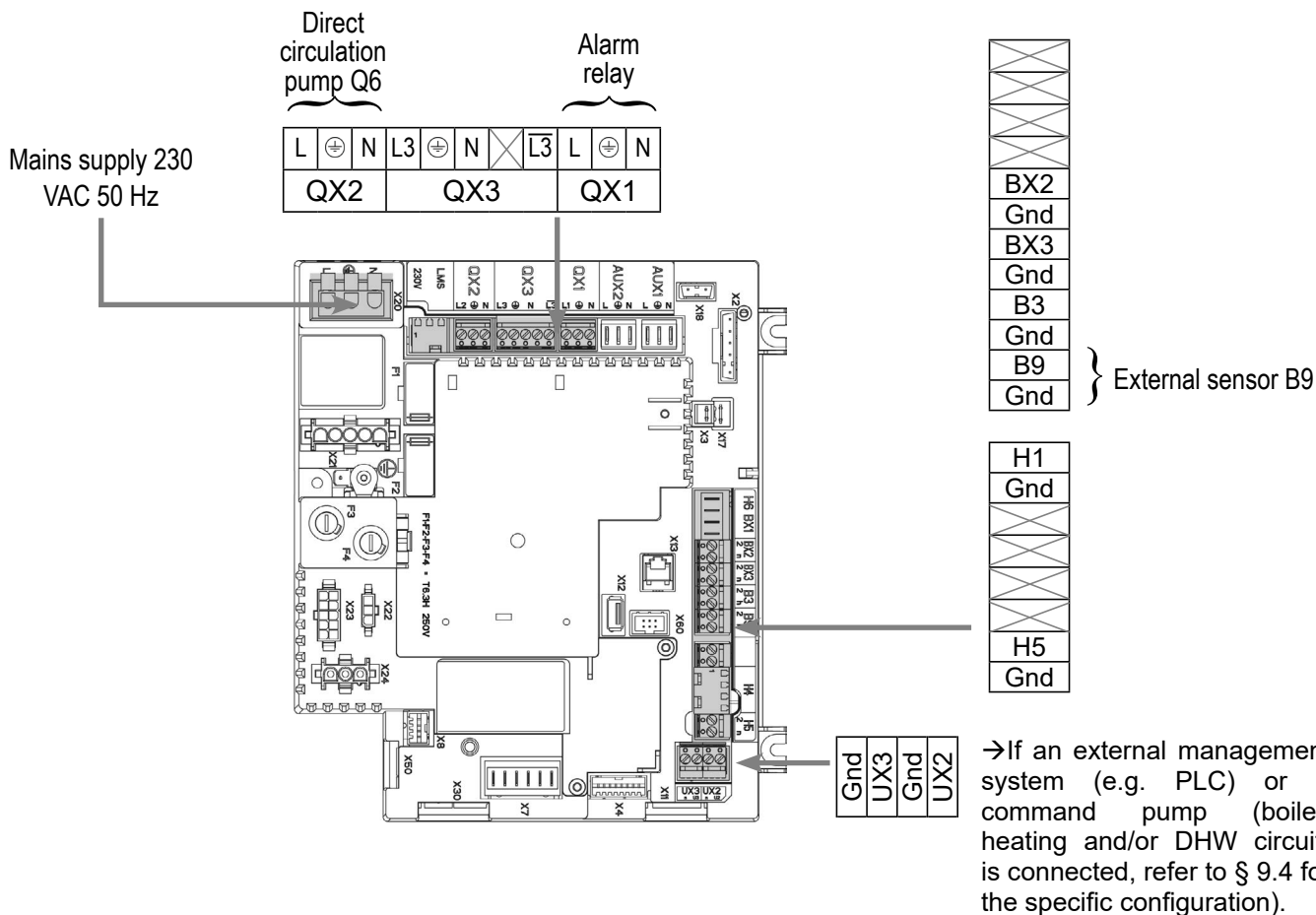


figure 63 - Diagram VX113

B. NECESSARY ADJUSTMENT ACCESSORIES

	Quantity	Appliance reference	Order No.
Extension module kit (delivered with a QAD 36 network sensor)	1	AVS 75	059751
External sensor kit	1	QAC 34	059260

C. CUSTOMER ELECTRICAL CONNECTION




D. SPECIFIC START-UP PROCEDURE

☞ Fit the accessories and make their electrical connections.

WARNING: **Ensure the switches on extension module AVS75 are correctly configured.**

☞ Start up the boiler alone.

☞ Make the following settings.

	Line No.	Value
• Time and date menu		
Set the time	Time / minute (1)	HH.MM
Set the date	Day / month (2)	DD.MM
Set the year	Year (3)	YYYY
• Configuration menu		
Start up the heating circuit 1	Heating circuit 1 (5710)	On
Start up the heating circuit 2	Heating circuit 2 (5715)	On
Configure the pump HC2	Output via relay QX2 (5891)	Pump HC2 Q6
Configure extension module 1	Function of extension module 1 (6020)	Heating circuit 1
• Heating circuit 1 menu		
Set the comfort setting	Comfort setting temperature (710)	---
Set the curve slope	Heating curve slope (720)	---
• Heating circuit 2 menu		
Set the comfort setting	Comfort setting temperature (1010)	---
Set the curve slope	Heating curve slope (1020)	---
Set the minimum starting temperature	Minimum starting T° value (1040)	60°C (adjust depending on low level)
• Switch the heating mode to permanent comfort		

E. ELECTRICAL AND HYDRAULIC VALIDATION

	Line No.	Value
• Input/output test menu		
Check the outputs		
Alarm relay	Relay test (7700)	Relay output QX1
HC2 pump	Relay test (7700)	Relay output QX2
Opening V3V HC	Relay test (7700)	Relay output QX21 module 1
Closing V3V HC	Relay test (7700)	Relay output QX22 module 1

Diagram VX113

page 4 / 5

	Line No.	Value
HC pump	Relay test (7700)	Relay output QX23 module 1
Reset outputs	Relay test (7700)	No test
Check sensor values		
External sensor B9	External T° B9 (7730)	in °C
Flow sensor B1	Temperature sensor BX21 module 1 (7830)	in °C

F. OPTIMISATION OF SETTINGS

	Line No.	Value
• <i>Heating circuit 1 / 2</i> menu		
Set the reduced setting	Temperature of reduced setting (712/1012)	---
• <i>Time programme HC1 / HC2</i> menu		
Preselection	Preselection (500/520)	---
Adjust the time programme	On / Off phases (501...506) (521...526)	---
• <i>Holiday circuit HC1 / HC2</i> menu		
Preselection	Preselection (641/651)	---
Adjust the time programme	On / Off phases (642-643) (652-653)	---
• <i>Configuration</i> menu		
Activate the heating circuits' frost protection mode	Frost protection plant (6120)	On
• Switch the heating mode to automatic		AUTO

Maintenance optimisation:

It is possible to generate a maintenance message without harming the boiler. This maintenance message may appear when the 3 following meters have elapsed:

- Time since last maintenance (or commissioning): set parameter 7044 to 12 months
- Operating hours of the burner (parameter 7040)
- Number of start-ups (parameter 7042)

The last 2 parameters depend on the boiler room's hydraulic installation. It is recommended to use at least parameter 7044 for yearly maintenance.

<h2 style="margin: 0;">SINGLE BOILER</h2> <p style="margin: 0;"><i>1 network regulated by a three-channel valve, 1 circulation circuit with constant temperature and throughput</i></p>	<p>Diagram VX120 page 1 / 4</p>
---	--

A. HYDRAULIC DIAGRAM

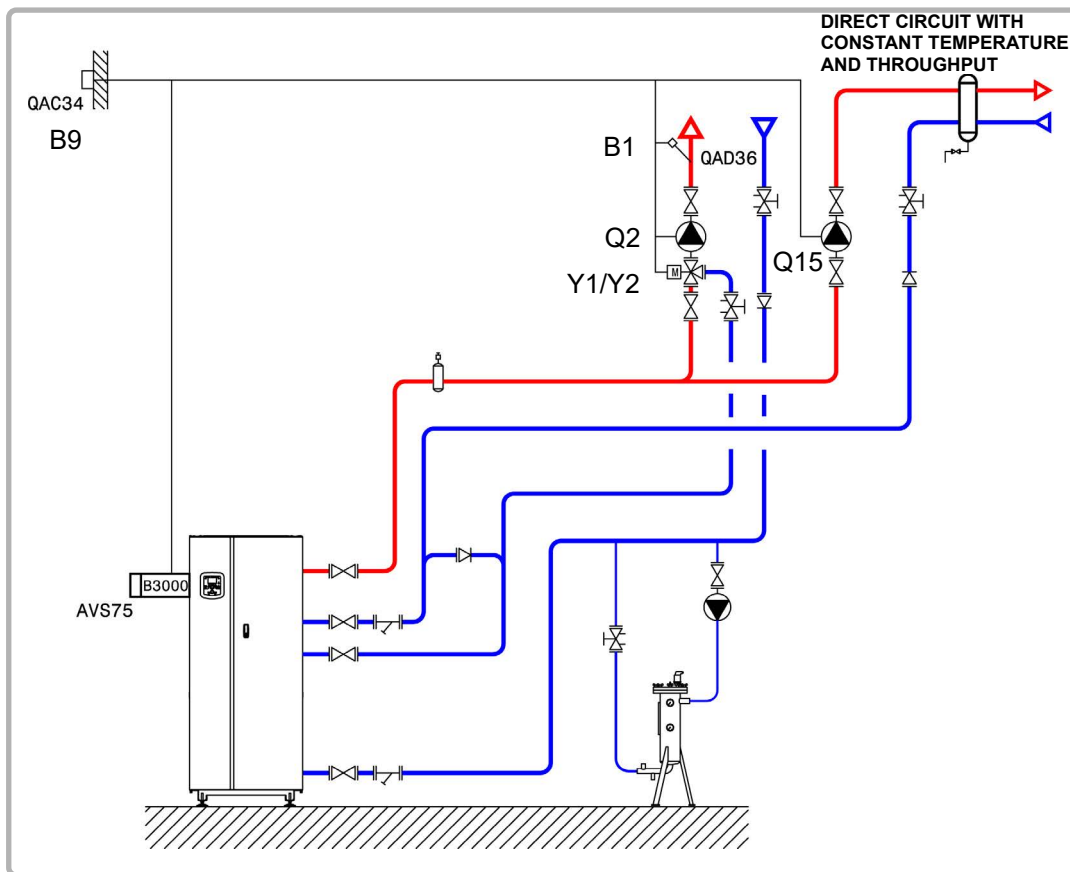
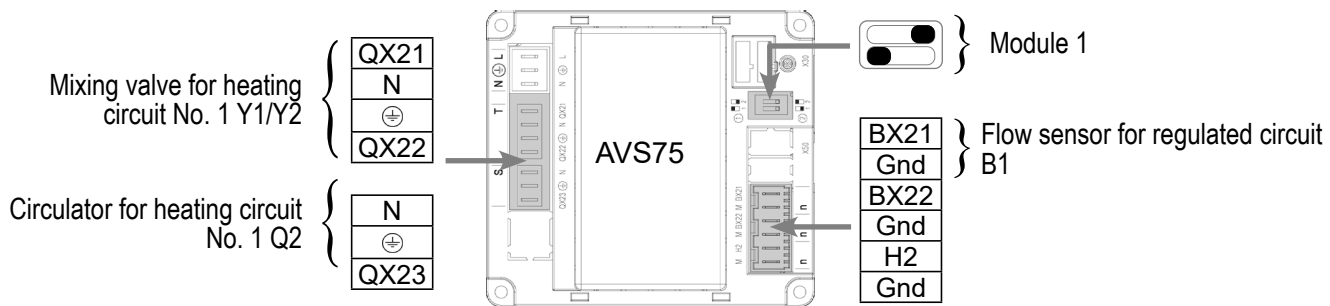
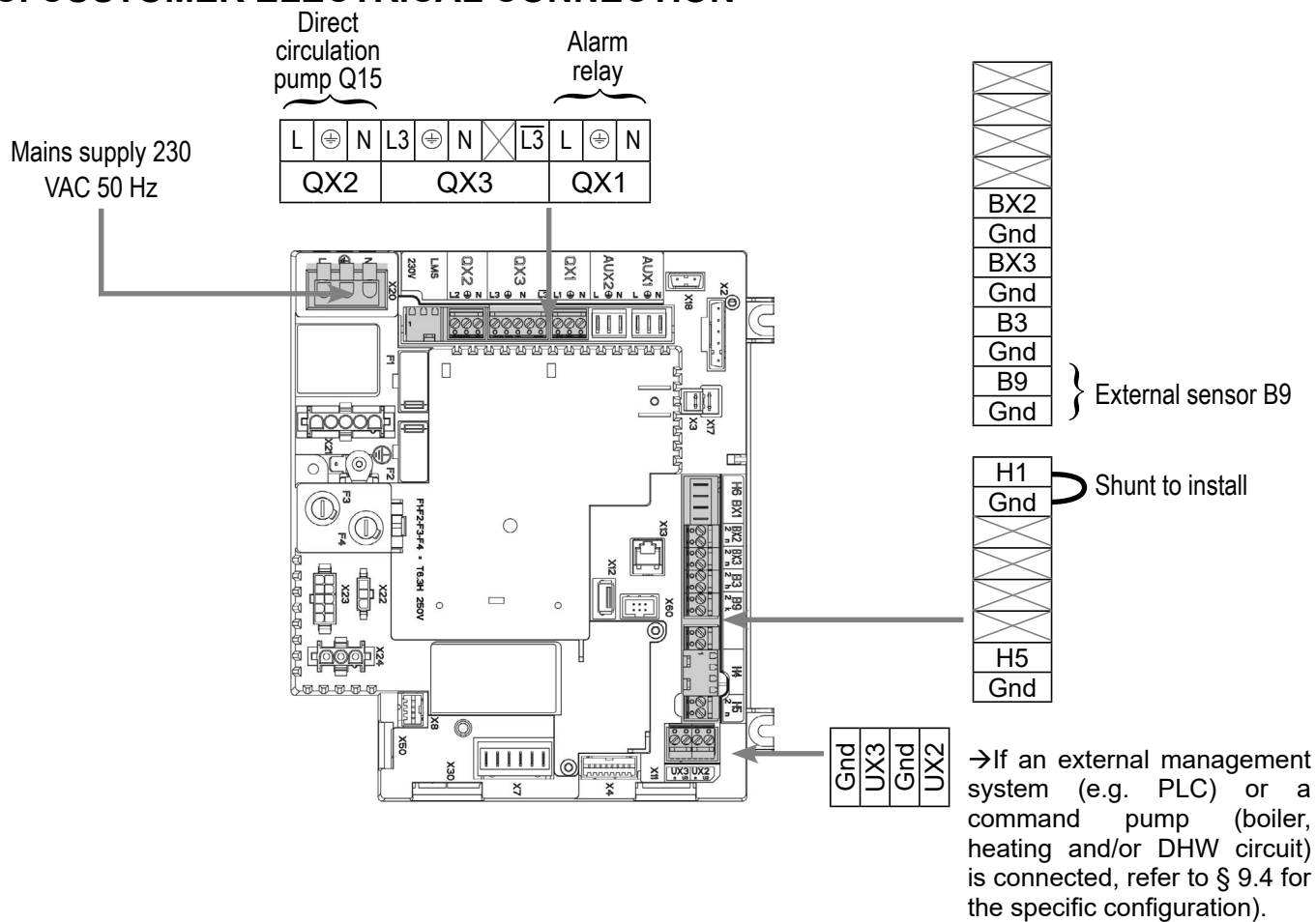


figure 64 - Diagram VX120

B. NECESSARY ADJUSTMENT ACCESSORIES

	Quantity	Appliance reference	Order No.
Extension module kit (delivered with a QAD 36 network sensor)	1	AVS 75	059751
External sensor kit	1	QAC 34	059260

C. CUSTOMER ELECTRICAL CONNECTION




D. SPECIFIC START-UP PROCEDURE

Fit the accessories and make their electrical connections.

	WARNING:	Ensure the switches on extension module AVS75 are correctly configured.
--	-----------------	--

- Start up the boiler alone.
- Make the following settings.

Diagram VX120

	Line No.	Value
• Time and date menu		
Set the time	Time / minute (1)	HH.MM
Set the date	Day / month (2)	DD.MM
Set the year	Year (3)	YYYY
• Configuration menu		
Start up the heating circuit 1	Heating circuit 1 (5710)	On
Configure pump Q15	Output via relay QX2 (5891)	Pump for circulation circuit 1 Q15
Configure input H1	Input function H1 (5891)	Demand for circulation circuit 1
Configure extension module 1	Function of extension module 1 (6020)	Heating circuit 1
• Heating circuit 1 menu		
Set the comfort setting	Comfort setting temperature (710)	---
Set the curve slope	Heating curve slope (720)	---
• Circulation circuit 1 menu		
Set the starting value to use in the event of demand from the circulation circuit	Value of starting temperature for circulation circuit demand (1859)	---
• Switch the heating mode to permanent comfort		

E. ELECTRICAL AND HYDRAULIC VALIDATION

	Line No.	Value
• Input/output test menu		
Check the outputs		
Alarm relay	Relay test (7700)	Relay output QX1
Constant circuit pump	Relay test (7700)	Relay output QX2
Opening V3V HC	Relay test (7700)	Relay output QX21 module 1
Closing V3V HC	Relay test (7700)	Relay output QX22 module 1
HC pump	Relay test (7700)	Relay output QX23 module 1
Reset outputs	Relay test (7700)	No test

	Line No.	Value
Check sensor values		
External sensor B9	External T° B9 (7730)	in °C
Flow sensor B1	Temperature sensor BX21 module 1 (7830)	in °C

F. OPTIMISATION OF SETTINGS

	Line No.	Value
• Heating circuit 1 menu		
Set the reduced setting	Reduced temperature setting (712)	---
• HC1 time programme menu		
Preselection	Preselection (500)	---
Adjust the time programme	On / Off phases (501...506)	---
• Circuit HC1 holiday menu		
Preselection	Preselection (641)	---
Adjust the time programme	On / Off phases (642-643)	---
• Configuration menu		
Activate the heating circuits' frost protection mode	Frost protection plant (6120)	On
• Switch the heating mode to automatic		AUTO

Maintenance optimisation:

It is possible to generate a maintenance message without harming the boiler. This maintenance message may appear when the 3 following meters have elapsed:

- Time since last maintenance (or commissioning): set parameter 7044 to 12 months
- Operating hours of the burner (parameter 7040)
- Number of start-ups (parameter 7042)

The last 2 parameters depend on the boiler room's hydraulic installation. It is recommended to use at least parameter 7044 for yearly maintenance.

<h2 style="margin: 0;">BOILERS IN A CASCADE CONFIGURATION</h2> <p style="margin: 0;"><i>1 direct network, no communication with the secondary network</i></p>	<p>Diagram VX200 VX201 page 1 / 6</p>
---	---

A. MAIN AND ALTERNATIVE HYDRAULIC DIAGRAMS

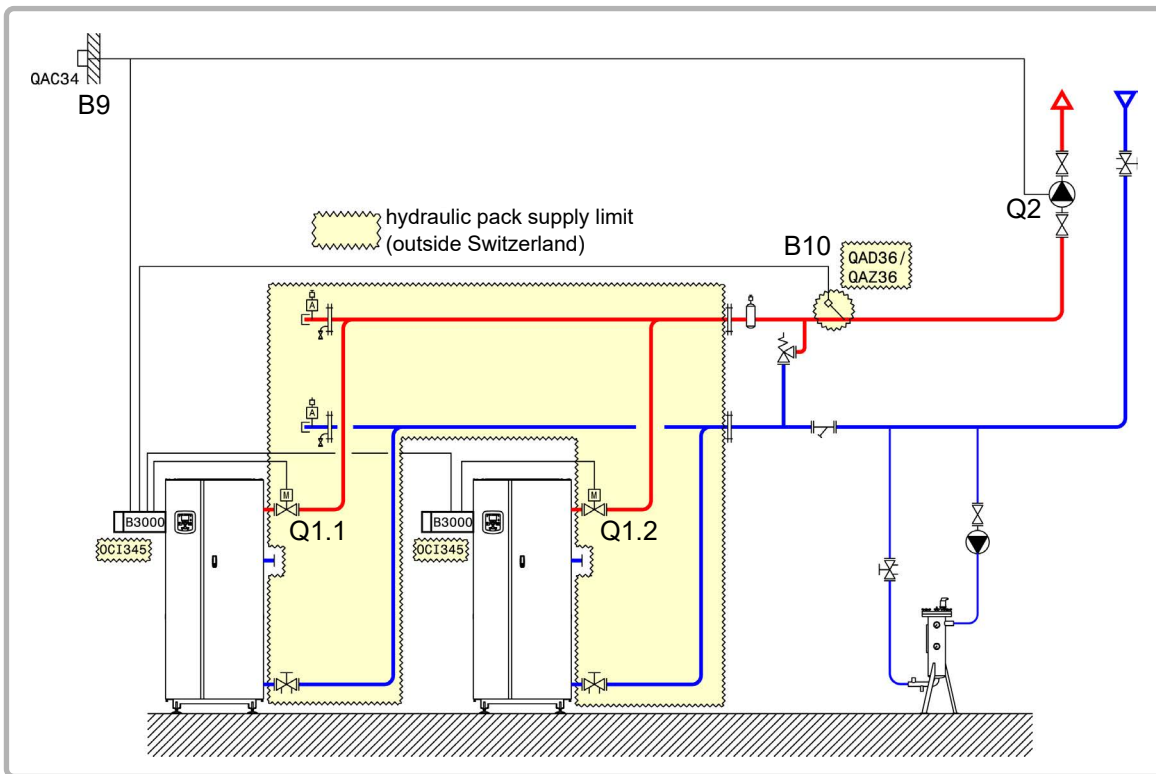


figure 65 - Diagram VX200

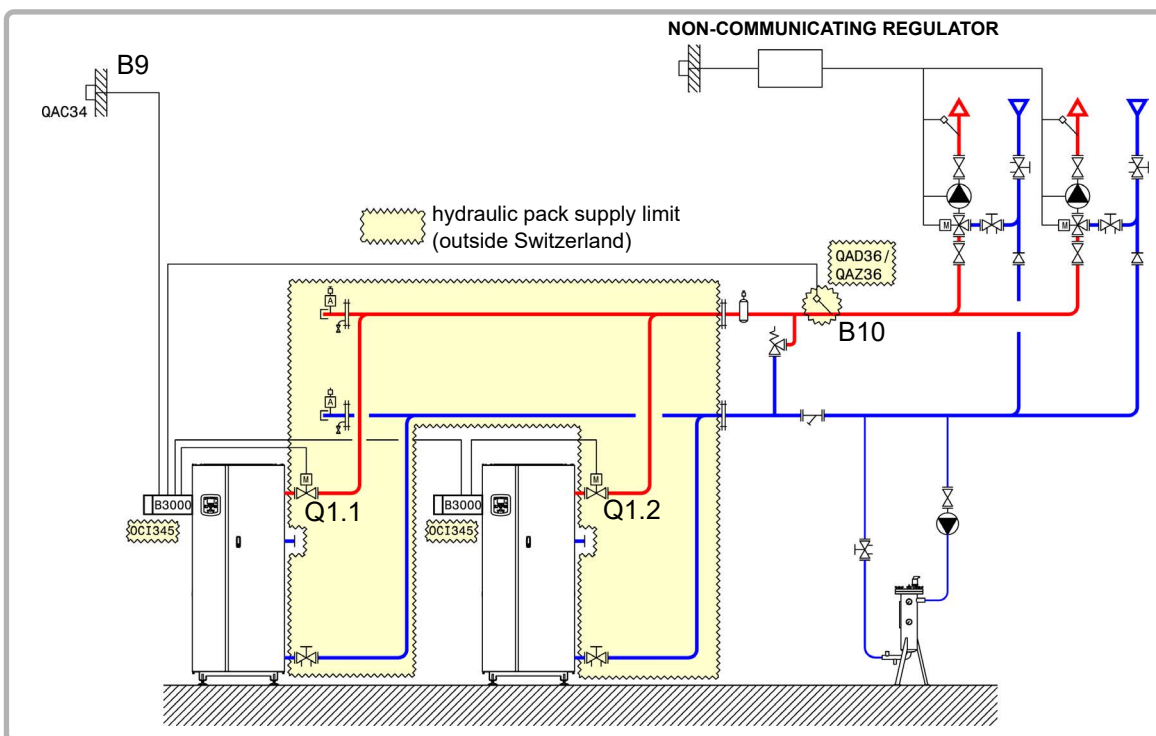


figure 66 - Diagram VX201 (alternative)

B. NECESSARY ADJUSTMENT ACCESSORIES

	Quantity	Appliance reference	Order No.
Communication kit	2	OCI 345	059752
Network sensor kit	1	QAx 36	059261 (QAZ 36) 059592 (QAD 36)
External sensor kit	1	QAC 34	059260

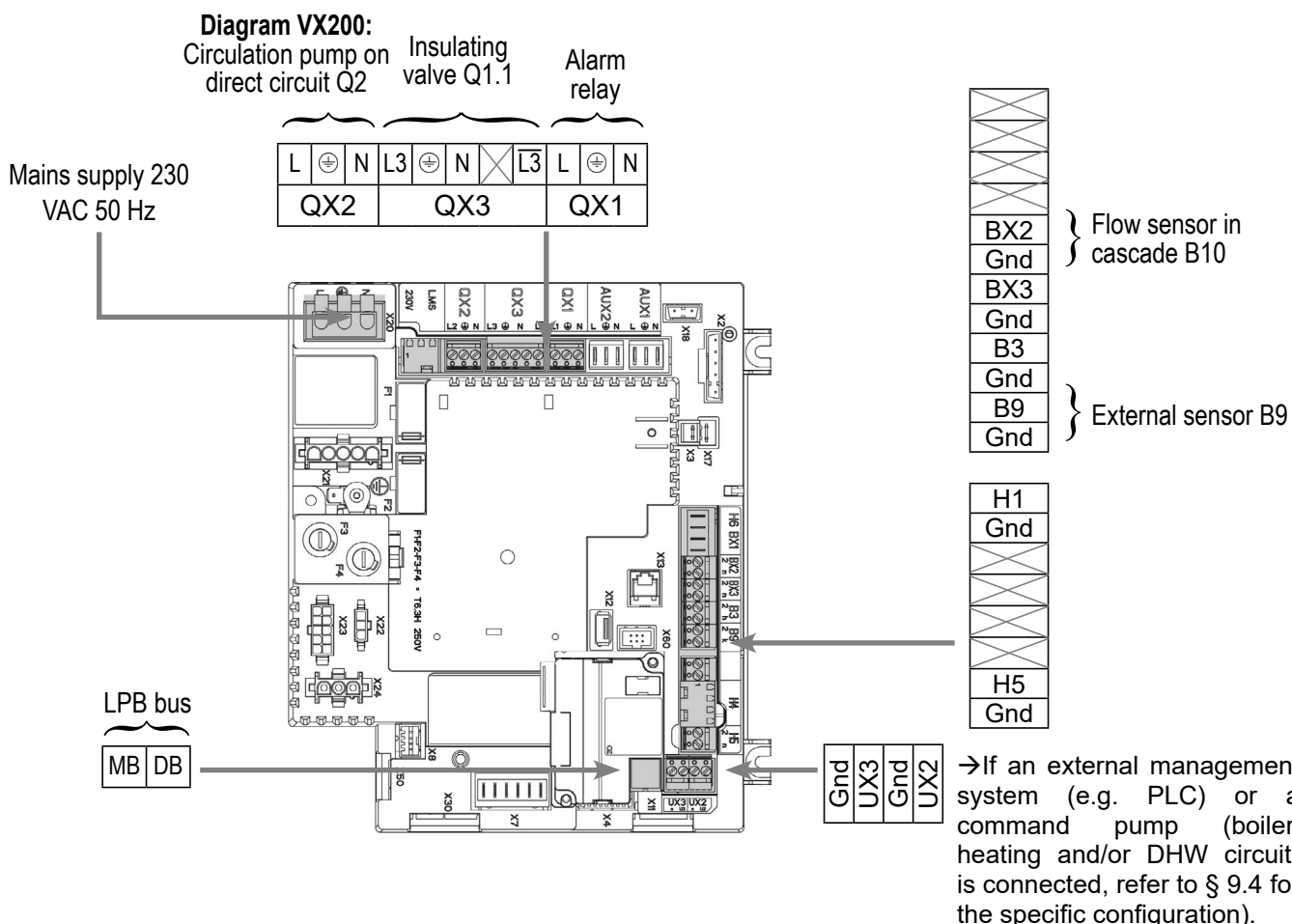
C. CUSTOMER ELECTRICAL CONNECTION

Boiler No. 1:



INFORMATION:

If the insulating valve is not fitted with an automatic reset, reconnect the Q1.1 insulating valve closing contact on Y2.

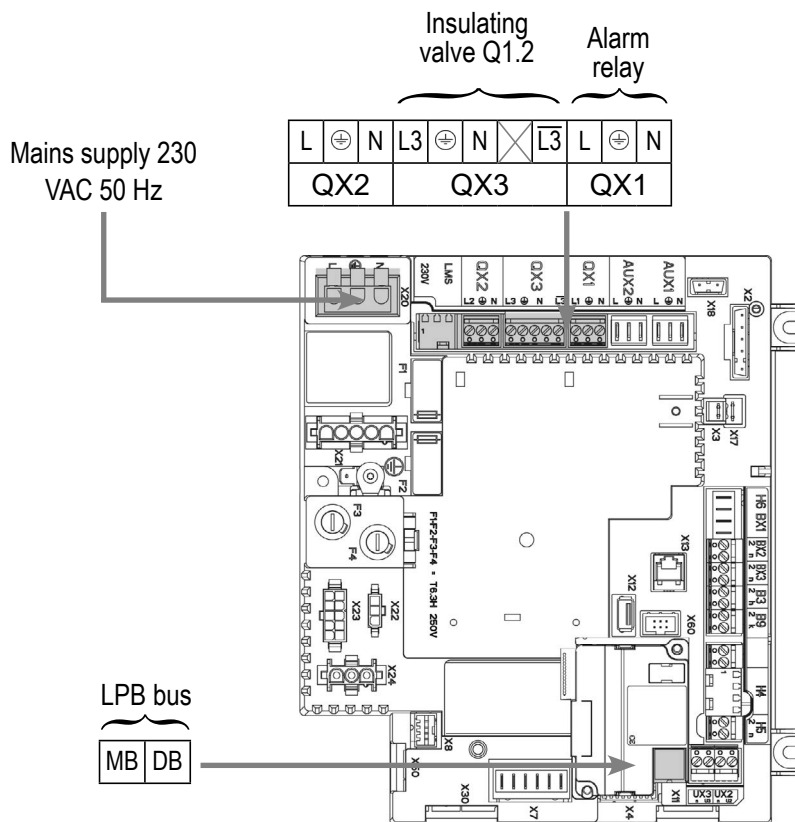


Boiler No. 2:



INFORMATION:

If the insulating valve is not fitted with an automatic reset, reconnect the Q1.2 insulating valve closing contact on Y2.



D. SPECIFIC START-UP PROCEDURE

- 👉 Fit the accessories and make their electrical connections.
- 👉 Start up the boiler alone.
- 👉 Make the following settings:

On boiler No. 1: master

	<i>Line No.</i>	<i>Value</i>
• Set the time and date: <i>Time and date</i> menu		
Set the time	Time / minute (1)	HH.MM
Set the date	Day / month (2)	DD.MM
Set the year	Year (3)	YYYY
• <i>Configuration</i> menu		
Start up the heating circuit 1	Heating circuit 1 (5710)	On
<i>Diagram VX200 only:</i>		
Configure the pump Q2	QX2 relay outlet (5891)	Pump HC1 Q2
<i>All diagrams:</i>		
Configure flow sensor in cascade B10	Sensor input BX2 (5931)	Common flow sensor B10

	<i>Line No.</i>	<i>Value</i>
• Configure as master in the cascade: <i>LPB network</i> menu		
Appliance number	Appliance address (6600)	1
Segment number	Segment address (6601)	0
Set the bus power supply.	Bus supply function (6604)	Automatic
Set the clock mode	Clock function (6640)	Master
• Set the heating circuit: <i>Heating circuit 1</i> menu		
Set the comfort setting	Comfort setting temperature (710)	---
Set the curve slope	Heating curve slope (720)	---

- Switch the heating mode to permanent comfort



On boiler(s) No. 2 (and later): slave

	<i>Line No.</i>	<i>Value</i>
• Configure as slave in the cascade: <i>LPB network</i> menu		
Appliance number	Appliance address (6600)	2 (or later for the other slaves)
Segment number	Segment address (6601)	0
Set the bus power supply.	Bus supply function (6604)	Automatic
Set the clock mode	Clock function (6640)	Slave without adjustment

- Connect the bus between the boilers (⚠ respect the polarity).
- Turn off the slave boiler(s) and then turn on again. If communication is successful, the clock is correctly updated.

E. ELECTRICAL AND HYDRAULIC VALIDATION

On boiler No. 1: master

• <i>Cascade diagnostic</i> menu		
Check that all boilers are present in the cascade		
	Status of generator 1 (8100)	Released / not released
	Status of generator 2 (8101)	Released / not released
	

• **Input/output test** menu

Check the outputs

Alarm relay

Relay test (7700)

Relay output QX1

Pump Q2 (*diagram VX200*)

Relay test (7700)

Relay output QX2

Insulating valve Q1.1

Relay test (7700)

Relay output QX3

Reset outputs

Relay test (7700)

No test

Check sensor values

External sensor B9

External T° B9 (7730)

in °C

Flow sensor in cascade B10

Sensor T° BX2 (7821)

in °C

On boiler(s) No. 2 (and later): slave

Line No. Value

• **Input/output test** menu

Check the outputs

Alarm relay

Relay test (7700)

Relay output QX1

Insulating valve Q1.2

Relay test (7700)

Relay output QX3

Reset outputs

Relay test (7700)

No test

F. OPTIMISATION OF SETTINGS

On boiler No. 1: master

Optimisation of heating circuit:

Line No. Value

• **Heating circuit 1** menu

Set the reduced setting

Reduced temperature setting (712)

• **HC1 time programme** menu

Preselection

Preselection (500)

Adjust the time programme

On / Off phases (501...506)

• **Circuit HC1 holiday** menu

Preselection

Preselection (641)

Adjust the time programme

On / Off phases (642-643)

• Switch the heating mode to automatic

AUTO

Optimisation of the cascade:

The cascade may be optimised as required with the parameters of the **Cascade** menu. Refer to the LMS boiler command table instructions for more details.

Maintenance optimisation:

It is possible to generate a maintenance message without harming the boiler. This maintenance message may appear when the 3 following meters have elapsed:

- Time since last maintenance (or commissioning): set parameter 7044 to 12 months
- Operating hours of the burner (parameter 7040)
- Number of start-ups (parameter 7042)

The last 2 parameters depend on the boiler room's hydraulic installation. It is recommended to use at least parameter 7044 for yearly maintenance.

<h2 style="margin: 0;">BOILERS IN A CASCADE CONFIGURATION</h2> <p style="margin: 0;"><i>1 network regulated by a three-channel valve, DHW production or 1 direct circuit with constant temperature and throughput</i></p>	<p>Diagram VX210 VX220 page 1 / 8</p>
---	---

A. HYDRAULIC DIAGRAM

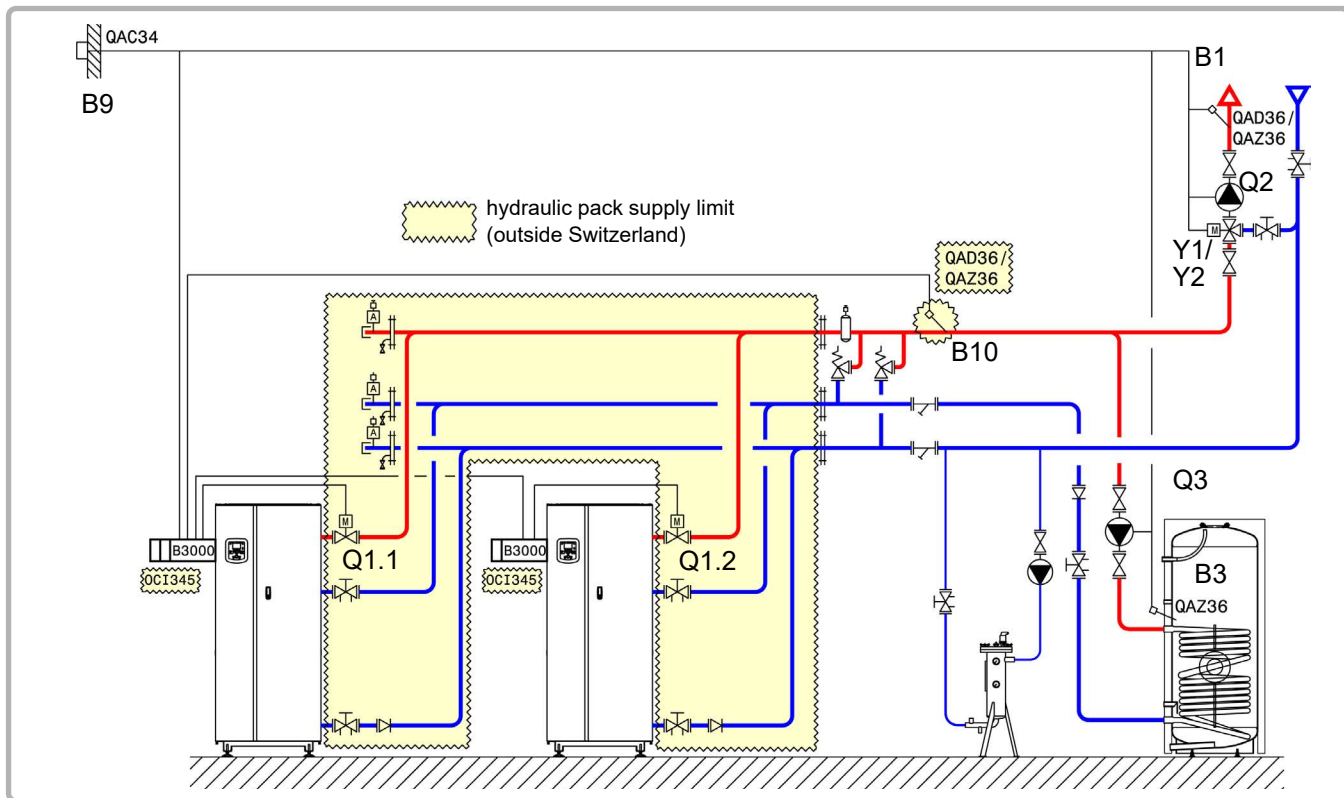


figure 67 - Diagram VX210

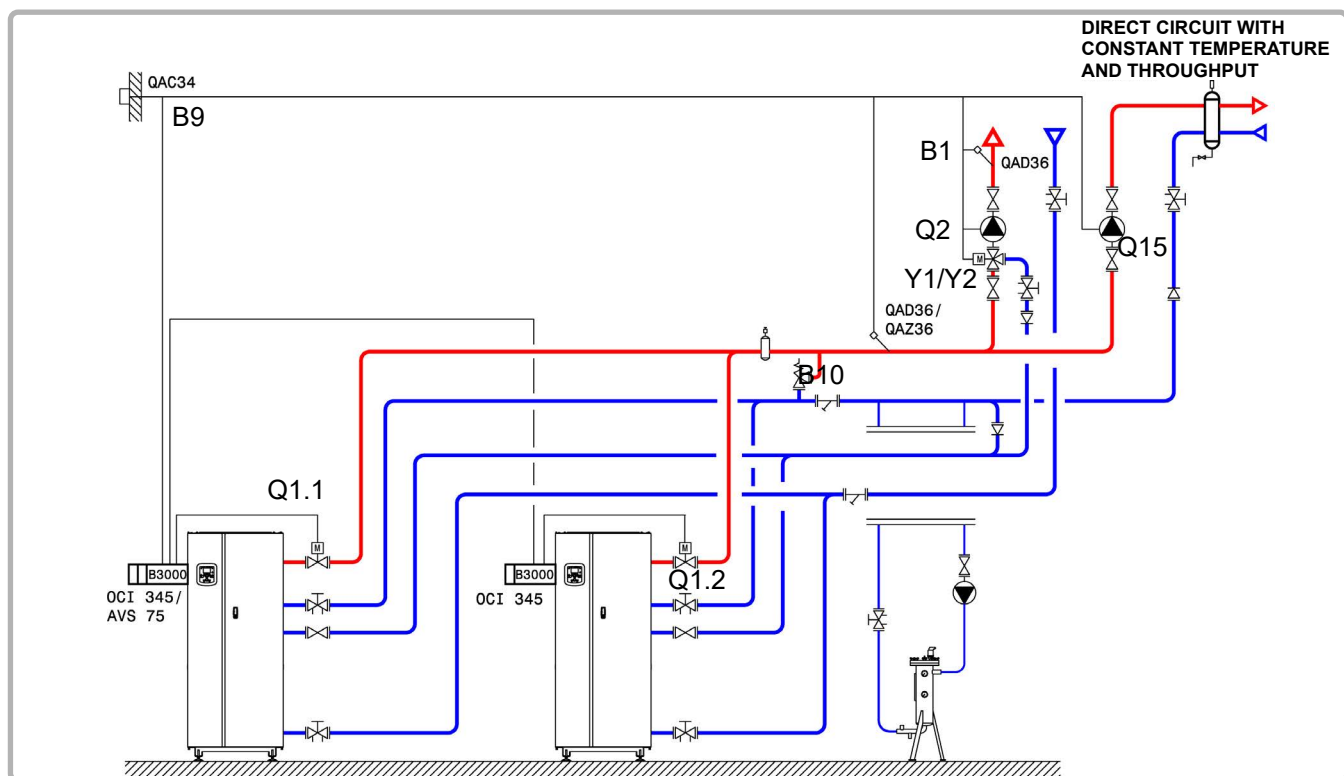


figure 68 - Diagram VX220

B. NECESSARY ADJUSTMENT ACCESSORIES

	Quantity	Appliance reference	Order No.
Extension module kit (delivered with a QAD 36 network sensor)	1	AVS 75	059751
Communication kit	2	OCI 345	059752
Network sensor kit	1	QAx 36	059261 (QAZ 36) 059592 (QAD 36)
DHW sensor kit (diagram VX210)	1	QAZ 36	059261
External sensor kit	1	QAC 34	059260

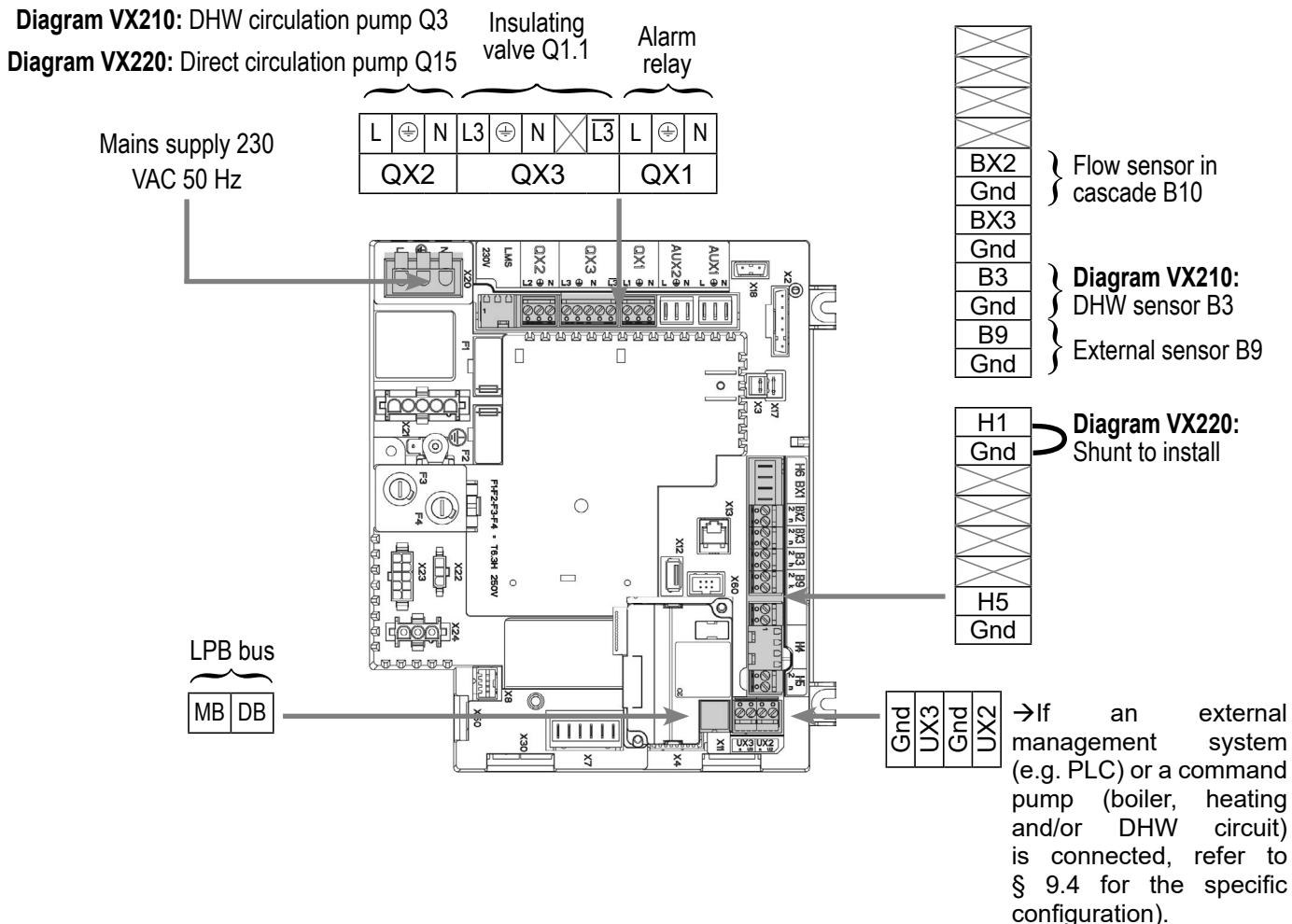
C. CUSTOMER ELECTRICAL CONNECTION

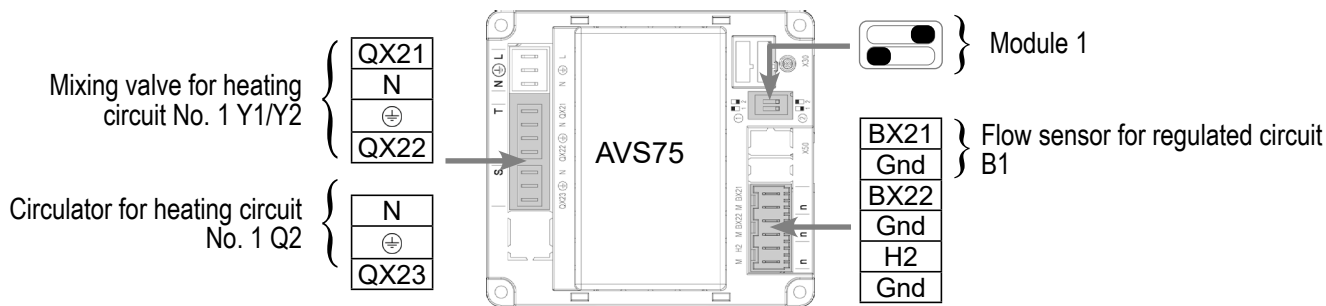
Boiler No. 1:



INFORMATION:

If the insulating valve is not fitted with an automatic reset, reconnect the Q1.1 insulating valve closing contact on Y2.



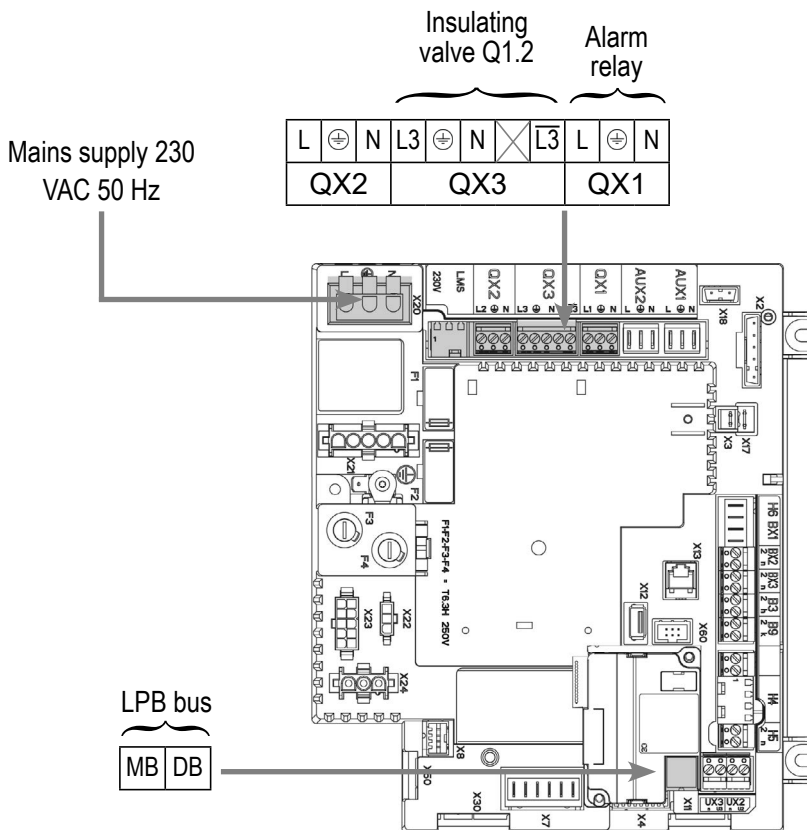


Boiler No. 2:



INFORMATION:

If the insulating valve is not fitted with an automatic reset, reconnect the Q1.2 insulating valve closing contact on Y2.



D. SPECIFIC START-UP PROCEDURE

☞ Fit the accessories and make their electrical connections.



WARNING:

Ensure the switches on extension module AVS75 are correctly configured.

☞ Start up the boiler alone.

☞ Make the following settings:

On boiler No. 1: master

	<i>Line No.</i>	<i>Value</i>
• Time and date menu		
Set the time	Time / minute (1)	HH.MM
Set the date	Day / month (2)	DD.MM
Set the year	Year (3)	YYYY
• Configuration menu		
Configure the DHW pump (<i>diagram VX210</i>)	QX2 relay outlet (5891)	Pump/valve ECS Q3
Configure pump Q15 (<i>diagram VX220</i>)	QX2 relay outlet (5891)	Pump for circulation circuit 1 Q15
Configure the flow sensor in cascade B10	Sensor input BX2 (5931)	Common flow sensor B10
Configure input H1 (<i>diagram VX220</i>)	Input function H1 (5977)	Demand for circulation circuit 1
Configure the extension module	Function of extension module 1 (6020)	Heating circuit 1
• Configure as master in the cascade: <u>LPB network</u> menu		
Appliance number	Appliance address (6600)	1
Segment number	Segment address (6601)	0
Set the bus power supply.	Bus supply function (6604)	Automatic
Set the clock mode	Clock function (6640)	Master
• Heating circuit 1 menu		
Set the comfort setting	Comfort setting temperature (710)	---
Set the curve slope	Heating curve slope (720)	---

• Switch the heating mode to permanent comfort



	<i>Line No.</i>	<i>Value</i>
Diagram VX210 only:		
• Domestic hot water menu		
Set the comfort setting	Comfort setpoint (1610)	---
• Activate DHW mode		

Diagram VX220 only:		
• Circulation circuit 1 menu		
Set the starting value to use in the event of a demand from the circulation circuit	Value of starting temperature for circulation circuit demand (1859)	---

On boiler(s) No. 2 (and later): slave

• Configure as slave in the cascade: <u>LPB network</u> menu		
Appliance number	Appliance address (6600)	2 (or later for the other slaves)
Segment number	Segment address (6601)	0
Set the bus power supply.	Bus supply function (6604)	Automatic
Set the clock mode	Clock function (6640)	Slave without adjustment

- Connect the bus between the boilers (⚠ respect the polarity).
- Turn off the slave boiler(s) and then turn on again. If communication is successful, the clock is correctly updated.

E. ELECTRICAL AND HYDRAULIC VALIDATION

On boiler No. 1: master

• Cascade diagnostic menu		
Check that all boilers are present in the cascade	Status of generator 1 (8100)	Released / not released
	Status of generator 2 (8101)	Released / not released

	<i>Line No.</i>	<i>Value</i>
• <i>Input/output test</i> menu		
Check the outputs		
Alarm relay	Relay test (7700)	Relay output QX1
DHW pump Q3 (<i>diagram VX210</i>)	Relay test (7700)	Relay output QX2
Constant circuit pump Q15 (<i>diagram VX220</i>)	Relay test (7700)	Relay output QX2
Opening V3V HC	Relay test (7700)	Relay output QX21 module 1
Closing V3V HC	Relay test (7700)	Relay output QX22 module 1
HC pump	Relay test (7700)	Relay output QX23 module 1
Reset outputs	Relay test (7700)	No test
Check sensor values		
External sensor B9	External T° B9 (7730)	in °C
DHW sensor B3	DHW temperature B3/B38 (7750)	in °C
Flow sensor B1	Temperature sensor BX21 module 1 (7830)	in °C

On boiler No. 2: slave

• <i>Input/output test</i> menu		
Check the outputs		
Alarm relay	Relay test (7700)	Relay output QX1
Insulating valve Q1.2	Relay test (7700)	Relay output QX3
Reset outputs	Relay test (7700)	No test

F. OPTIMISATION OF SETTINGS

Optimisation of heating circuit:

• Heating circuit 1 menu			
Set the reduced setting	Reduced temperature setting (712)	---	
• HC1 time programme menu			
Preselection	Preselection (500)	---	
Adjust the time programme	On / Off phases (501...506)	---	
• Circuit HC1 holiday menu			
Preselection	Preselection (641)	---	
Adjust the time programme	On / Off phases (642-643)	---	
• Configuration menu			
Activate the heating circuits' frost protection mode	Frost protection plant (6120)	On	
• Switch the heating mode to automatic			AUTO

Optimisation of DHW:

• Domestic hot water menu			
Set the comfort setting	Reduced setting (1612)	---	
Set the DHW release mode	DHW release (1620)	Time programme 4/ DHW	
• Time programme 4 / DHW menu			
Preselection	Preselection (560)	---	
Adjust the time programme	On / Off phases (561...566)	---	
• DHW storage tank menu			
Adjust the boost	Starting value of boost temperature (5020)	---	
	Line No.	Value	

Diagram VX210 only:

• Domestic hot water menu			
Configure an anti-legionella function	Anti-legionella function (1640)	---	
	Periodic anti-legionella function (1641)	---	
	Day week anti-legionella function (1642)	---	
	Anti-legionella temperature setting (1645)	---	
	Duration of anti-legionella function (1646)	---	

Optimisation of the cascade:

The cascade may be optimised as required with the parameters of the **Cascade** menu. Refer to the LMS boiler command table instructions for more details.

Maintenance optimisation:

It is possible to generate a maintenance message without harming the boiler. This maintenance message may appear when the 3 following meters have elapsed:

- Time since last maintenance (or commissioning): set parameter 7044 to 12 months
- Operating hours of the burner (parameter 7040)
- Number of start-ups (parameter 7042)

The last 2 parameters depend on the boiler room's hydraulic installation. It is recommended to use at least parameter 7044 for yearly maintenance.

<h2 style="margin: 0;">BOILERS IN A CASCADE CONFIGURATION</h2> <p style="margin: 0;"><i>Secondary networks regulated by external regulated communicating by LPB bus or 0...10V</i></p>	<p>Diagram VX211 page 1 / 6</p>
--	--

A. HYDRAULIC DIAGRAM

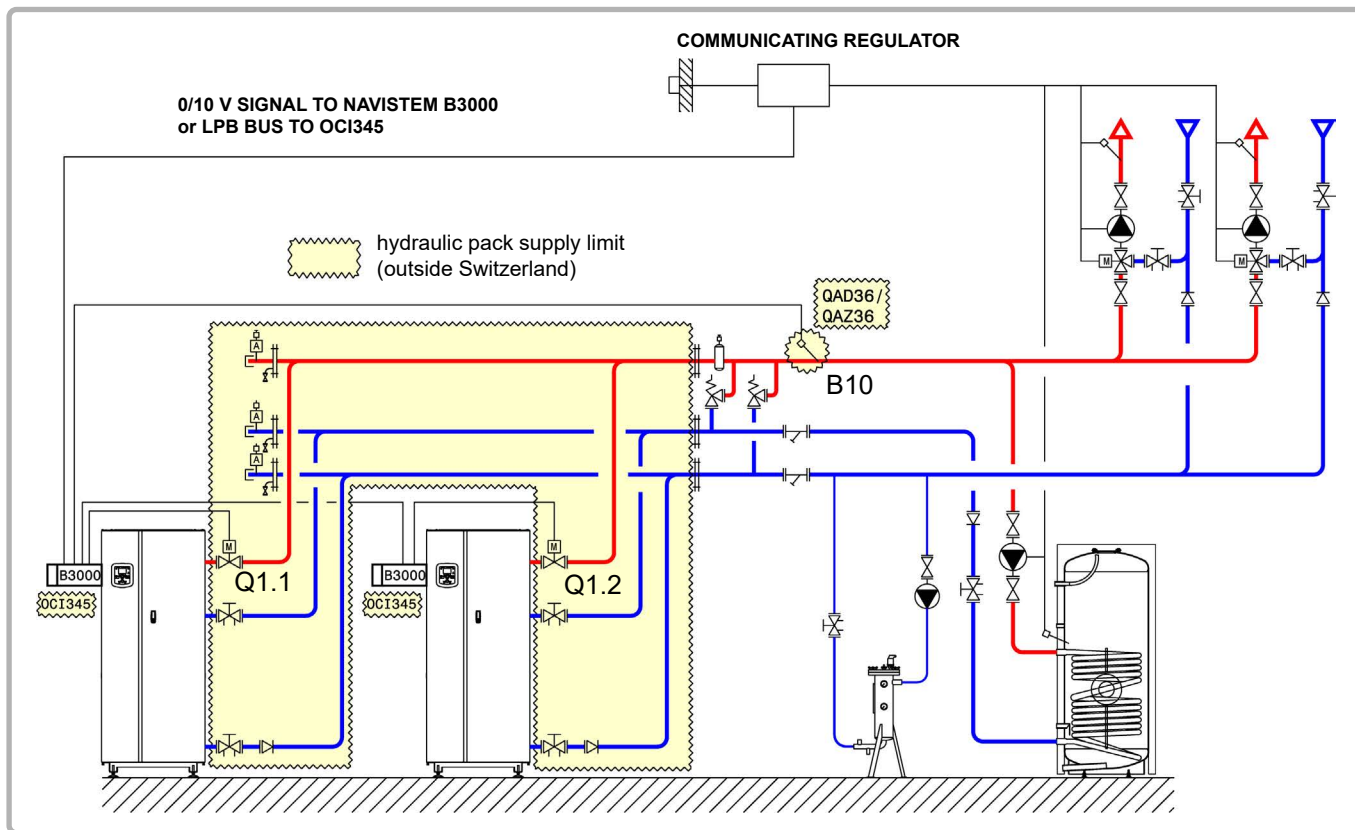


figure 69 - Diagram VX211

B. NECESSARY ADJUSTMENT ACCESSORIES

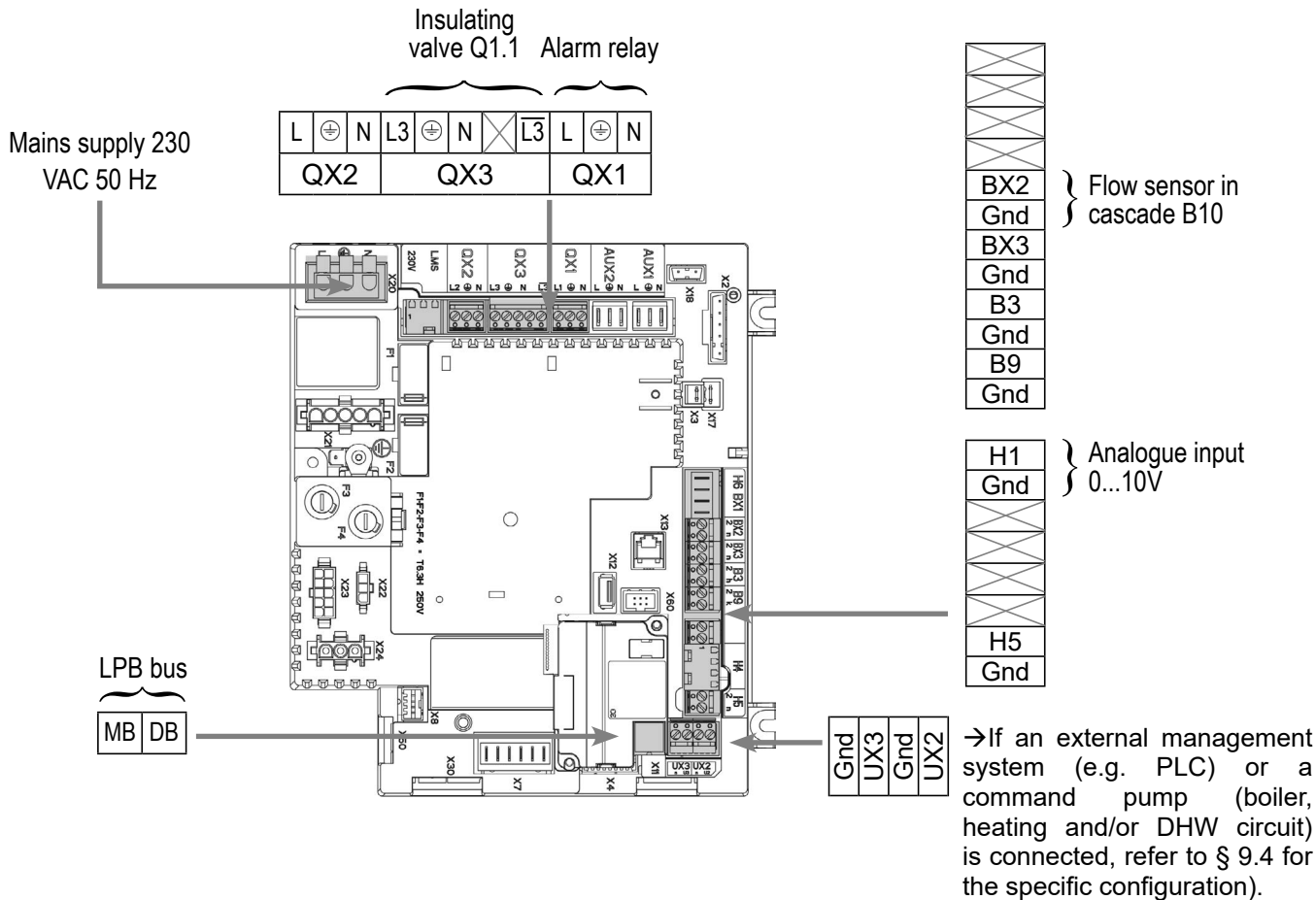
	Quantity	Appliance reference	Order No.
Communication kit	2	OCI 345	059752
Network sensor kit	1	QAx 36	059261 (QAZ 36) 059592 (QAD 36)

C. CUSTOMER ELECTRICAL CONNECTION

Boiler No. 1:

i

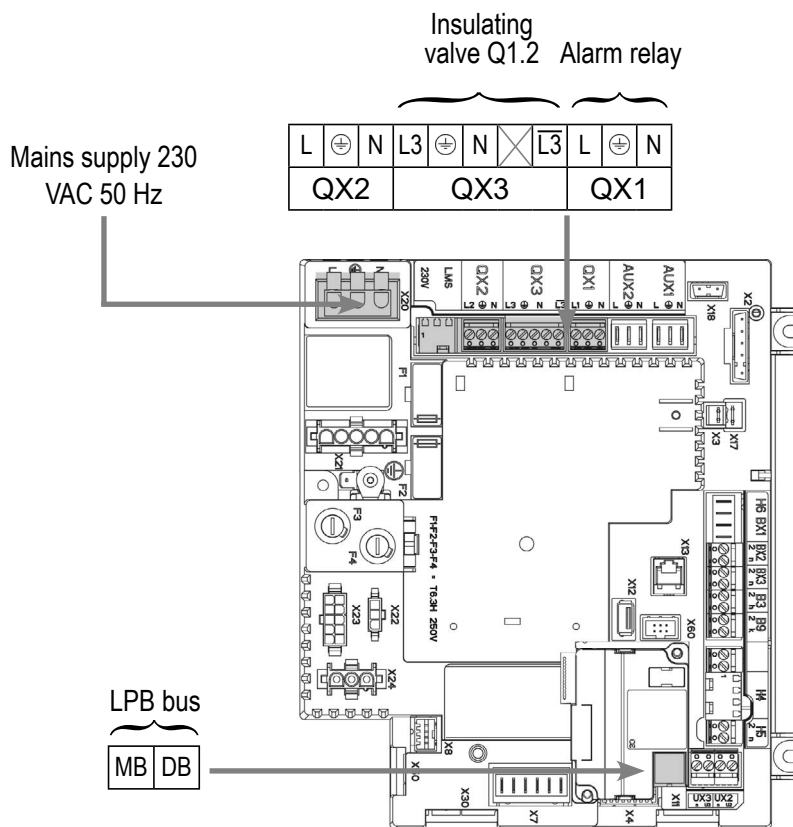
INFORMATION: If the insulating valve is not fitted with an automatic reset, reconnect the Q1.1 insulating valve closing contact on Y2.



Boiler No. 2:

i

INFORMATION: If the insulating valve is not fitted with an automatic reset, reconnect the Q1.2 insulating valve closing contact on Y2.



D. SPECIFIC START-UP PROCEDURE

- ☞ Fit the accessories and make their electrical connections.
- ☞ Start up the boiler alone.
- ☞ Make the following settings:

On boiler No. 1: master

• **Time and date menu**

- Set the time
- Set the date
- Set the year

Line No.	Value
Time / minute (1)	HH.MM
Day / month (2)	DD.MM
Year (3)	YYYY

• **Configuration menu**

Configure the flow sensor in cascade B10

Sensor input BX2 (5931)	Common flow sensor B10
-------------------------	------------------------

For a demand via input 0...10V

Configure input H1

Input function H1 (5950)	Demand from circulation circuit 1 10V
Voltage value 1 H1 (5953)	0.0

Line No.	Value
Function value H1 (5954)	0
Voltage value 2 H1 (5955)	10.0
Function value 2 H1 (5956)	1000 (for 10 V = 100 °C equivalence)

Warning the boiler considers a heat demand for a voltage $H1 > 0.2 V$ and a resulting setpoint $> 6 ° C$ *.
 The boiler no longer considers a heat demand for a voltage $H1 < 0.2V$ or a resulting setpoint $< 4 ° C$ *.
 In this second case, the boiler isolation valve will close. If the installation does not include a hydraulic decoupling bottle, all the network pumps must be stopped at the risk of causing them to cavitate.

* : according to scale given in parameter "5956"

	Line No.	Value
For a demand via LPB		
Check that the secondary regulator is defined on a LPB segment other than 0 (reserved for generators)		
In all events (LPB network menu)		
Configure the boiler as master in the cascade	Appliance address (6600)	1
	Segment address (6601)	0
	Bus supply function (6604)	Automatic
	Clock function (6640)	Master
On boiler(s) No. 2 (and later): slave		
• LPB network menu		
Configure the boiler as slave in the cascade	Appliance address (6600)	2 (or later for the other slaves)
	Segment address (6601)	0
	Bus supply function (6604)	Automatic
	Clock function (6640)	Slave without adjustment

- Connect the bus between the boilers (⚠ respect the polarity).
- Turn off the slave boiler(s) and then turn on again. If communication is successful, the clock is correctly updated.

E. ELECTRICAL AND HYDRAULIC VALIDATION

On boiler No. 1: master

- *Cascade diagnostic* menu

Check that all boilers are present in the cascade

Status of generator 1 (8100)	Released / not released
Status of generator 2 (8101)	Released / not released
.....	

Line No. Value

For a demand via input 0...10V

- *Input/output test* menu

Voltage in H1

Voltage signal H1 (7840)	To validate with the voltage sent by the boiler room machine
--------------------------	--

For a demand via LPB

If the boiler room regulator is configured as the slave clock, it must recover the date and time.

- *Input/output test* menu

Check the outputs

Alarm relay

Relay test (7700)	Relay output QX1
-------------------	------------------

Insulating valve Q1.1

Relay test (7700)	Relay output QX3
-------------------	------------------

Reset outputs

Relay test (7700)	No test
-------------------	---------

Check sensor values

External sensor B9

External T° B9 (7730)	in °C
-----------------------	-------

Flow sensor B1

Sensor T° BX2 (7821)	in °C
----------------------	-------

On boiler No. 2: slave

- *Input/output test* menu

Check the outputs

Alarm relay

Insulating valve Q1.2

Reset outputs

Relay test (7700)	Relay output QX1
Relay test (7700)	Relay output QX3
Relay test (7700)	No test

Line No. Value

F. OPTIMISATION OF SETTINGS

Optimisation of the cascade:

The cascade may be optimised as required with the parameters of the *Cascade* menu. Refer to the LMS boiler command table instructions for more details.

Maintenance optimisation:

It is possible to generate a maintenance message without harming the boiler. This maintenance message may appear when the 3 following meters have elapsed:

- Time since last maintenance (or commissioning): set parameter 7044 to 12 months
- Operating hours of the burner (parameter 7040)
- Number of start-ups (parameter 7042)

The last 2 parameters depend on the boiler room's hydraulic installation. It is recommended to use at least parameter 7044 for yearly maintenance.

<h2 style="margin: 0;">BOILERS IN A CASCADE CONFIGURATION</h2> <p style="margin: 0;"><i>3 or 4 networks regulated by a three-channel valve with or without DHW production</i></p>	<p>Diagram VX202 VX212 page 1 / 9</p>
---	---

A. MAIN AND ALTERNATIVE HYDRAULIC DIAGRAMS

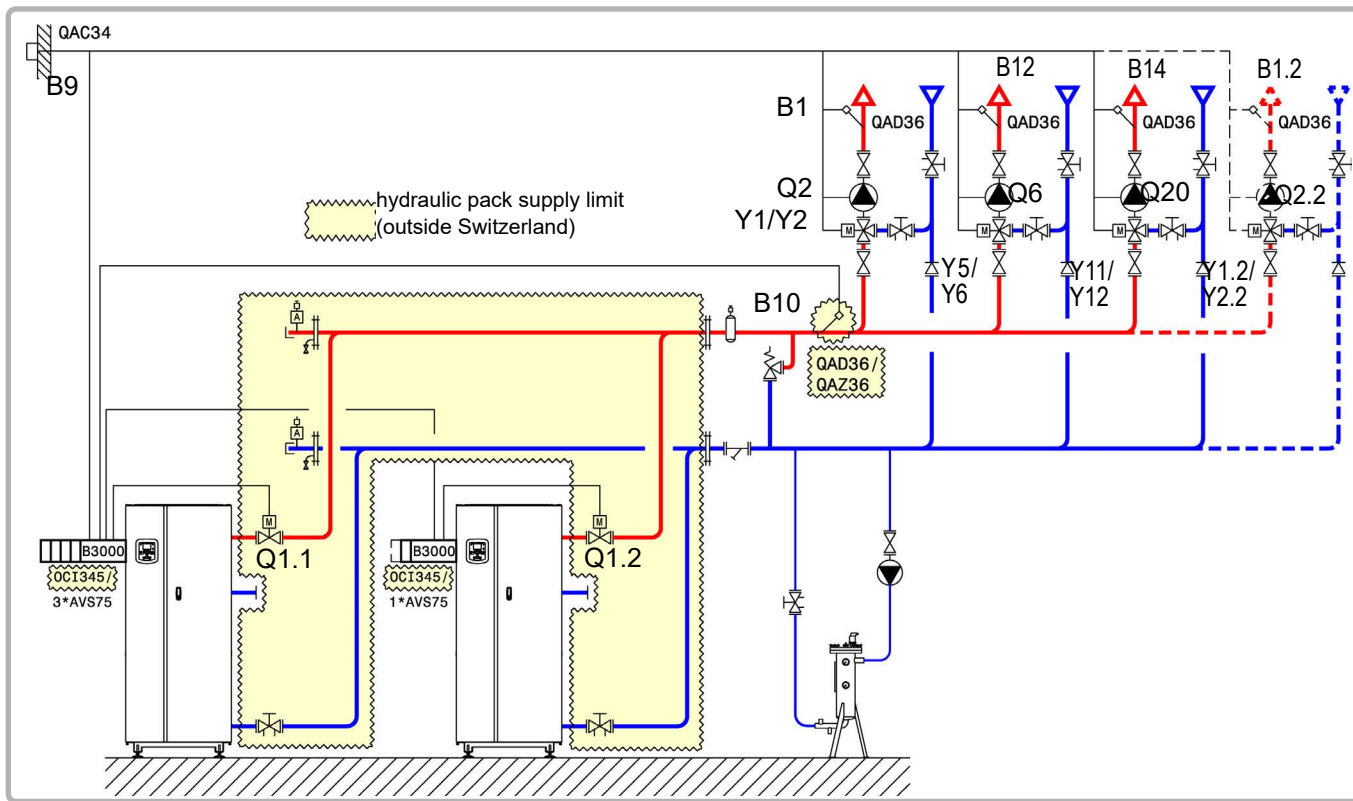


figure 70 - Diagram VX202

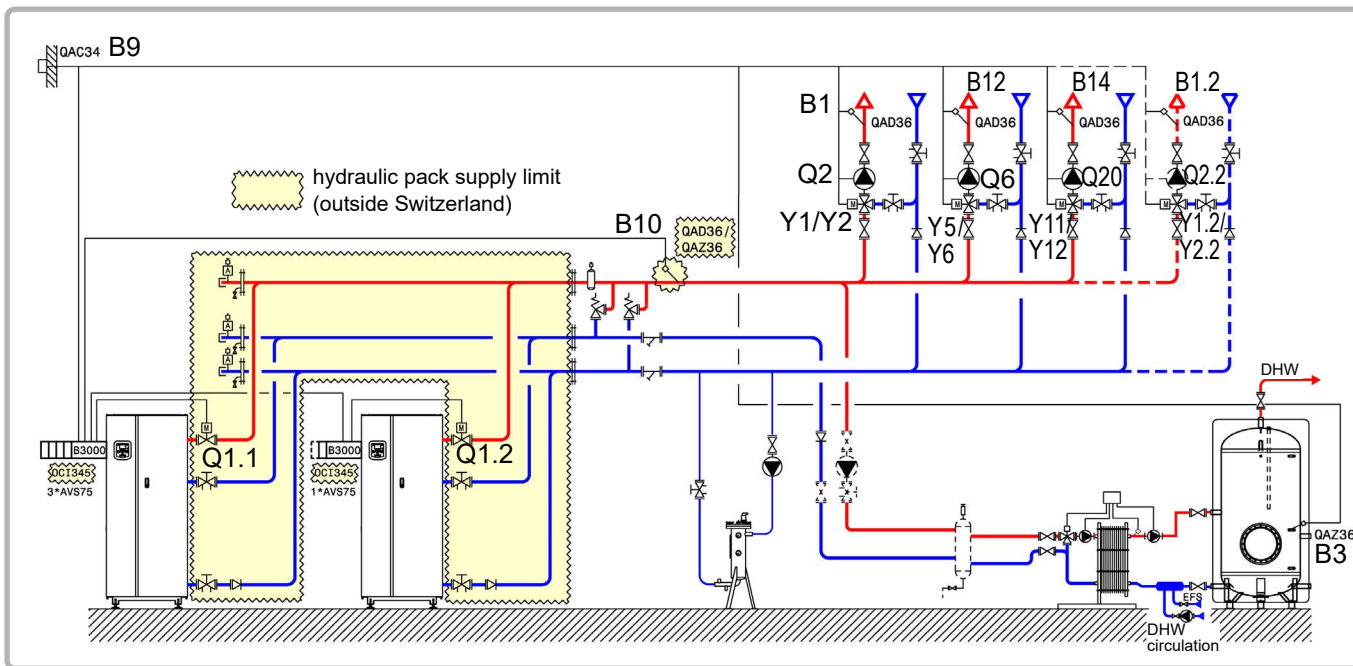


figure 71 - Diagram VX212 (alternative)

B. NECESSARY ADJUSTMENT ACCESSORIES

	Quantity	Appliance reference	Order No.
Extension module kit (delivered with a QAD 36 network sensor)	3 (4)	AVS 75	059751
Communication kit	2	OCI 345	059752
Network sensor kit	1	QAx 36	059261 (QAZ 36) 059592 (QAD 36)
External sensor kit	1	QAC 34	059260
DHW sensor kit (diagram VX212)	1	QAZ 36	059261

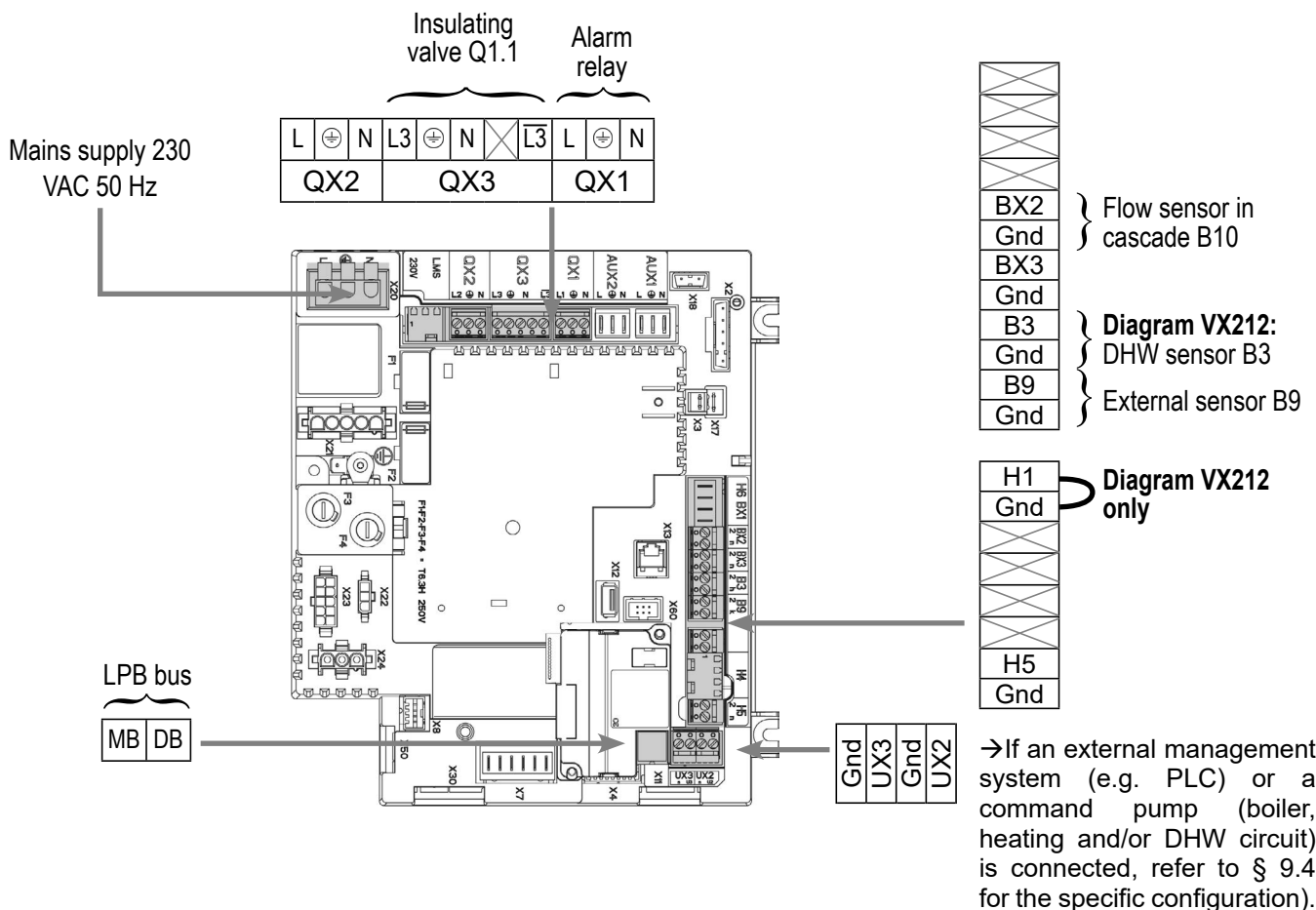
C. CUSTOMER ELECTRICAL CONNECTION

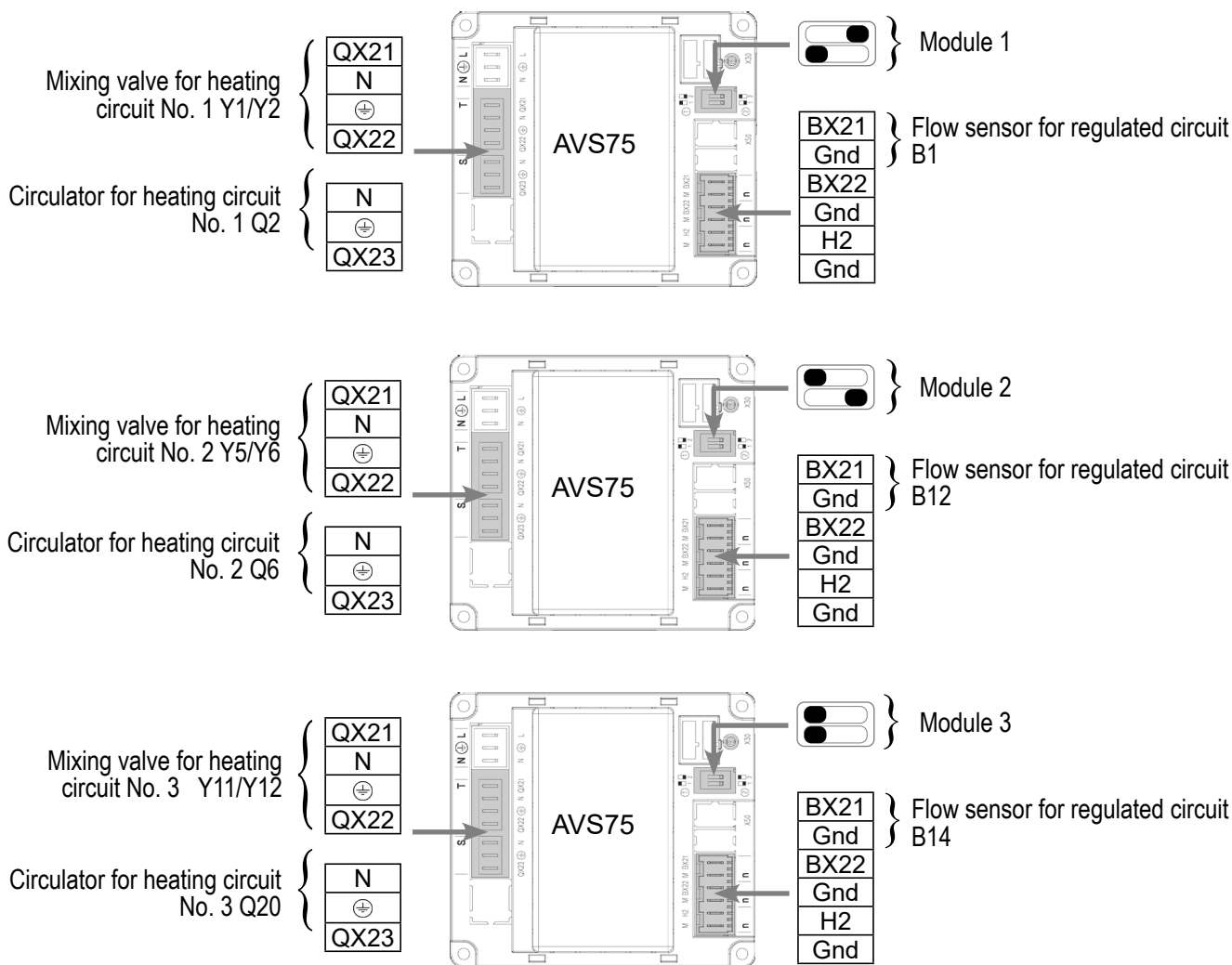
Boiler No. 1:



INFORMATION:

If the insulating valve is not fitted with an automatic reset, reconnect the Q1.1 insulating valve closing contact on Y2.



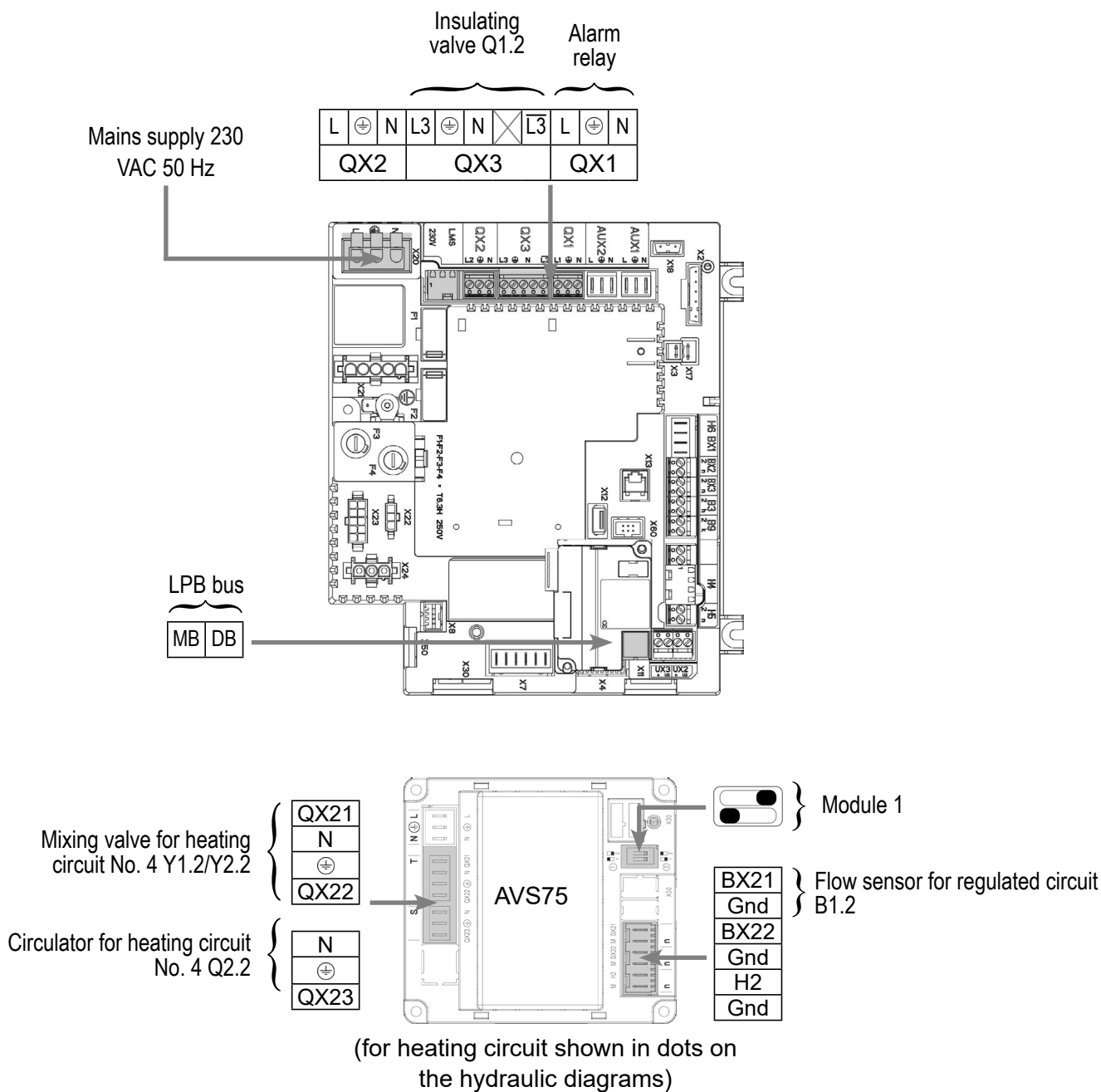


Boiler No. 2:



INFORMATION:

If the insulating valve is not fitted with an automatic reset, reconnect the Q1.2 insulating valve closing contact on Y2.



D. SPECIFIC START-UP PROCEDURE

☞ Fit the accessories and make their electrical connections.

WARNING: **Ensure the switches on the extension modules AVS75 are properly configured.**

☞ Start up the boiler alone.


☞ Make the following settings.

On boiler No. 1: master


	<i>Line No.</i>	<i>Value</i>
• Time and date menu		
Set the time	Time / minute (1)	HH.MM
Set the date	Day / month (2)	DD.MM
Set the year	Year (3)	YYYY
• Configuration menu		
Start up the heating circuit 1	Heating circuit 2 (5710)	On
Start up the heating circuit 2	Heating circuit 2 (5715)	On
Start up the heating circuit 3	Heating circuit 3 (5721)	On
Diagram VX212 only:		
Define a low level	Input function H1 (5950)	Circulation circuit demand 1
Install a shunt on H1 OR reverse the direction of contact	Type of contact (5951)	Rest contact
For the DHW to be effective, it is necessary to define a trigger, even if it is not connected.	QX2 relay outlet (5891)	Pump/valve ECS Q3
Configure pump Q1	Relay output QX3 (5892)	Boiler pump Q1
Configure flow sensor in cascade B10	Sensor input BX2 (5931)	Common flow sensor B10
Configure the extension modules	Function of extension module 1 (6020)	Heating circuit 1
	Function of extension module 2 (6021)	Heating circuit 2
	Function of extension module 3 (6022)	Heating circuit 3
• Configure as master in the cascade: LPB network menu		
Appliance number	Appliance address (6600)	1
Segment number	Segment address (6601)	0
Set the bus power supply.	Bus supply function (6604)	Automatic
Set the clock mode	Clock function (6640)	Master
• Heating circuit 1 / 2 / 3 menu		
Set the comfort setting	Temperature of comfort setting (710/1010/1310)	---
Set the curve slope	Slope of the heating curve (720/1020/1320)	---

- Switch the heating mode to permanent comfort



	Line No.	Value
Diagram VX212 only:		
<ul style="list-style-type: none"> • Circulation circuit 1 menu <p>Set the starting value to use in the event of a demand from the circulation circuit</p>	<p>Starting value in case of circuit demand (1859)</p>	<p>60°C (depends on Rubis setting)</p>
<ul style="list-style-type: none"> • Domestic hot water menu <p>Set the comfort setting</p> <p>Set the DHW release mode</p>	<p>Comfort setpoint (1610)</p> <p>DHW release (1620)</p>	<p>55 °C</p> <p>24/7</p>
<ul style="list-style-type: none"> • Activate DHW mode 		

On boiler(s) No. 2 (and later): slave

<ul style="list-style-type: none"> • Configuration menu <p>If there is a 4th heating circuit: Start up the heating circuit 1</p> <p>Configure the extension module</p>	<p>Heating circuit 1 (5710)</p> <p>Function of extension module 1 (6020)</p>	<p>On</p> <p>Heating circuit 1</p>
<ul style="list-style-type: none"> • Configure as slave in the cascade: LPB network menu <p>Appliance number</p> <p>Segment number</p> <p>Set the bus power supply.</p> <p>Set the clock mode</p>	<p>Appliance address (6600)</p> <p>Segment address (6601)</p> <p>Bus supply function (6604)</p> <p>Clock function (6640)</p>	<p>2 (or later for the other slaves)</p> <p>0</p> <p>Automatic</p> <p>Slave without adjustment</p>
<p>If there is a 4th heating circuit:</p> <ul style="list-style-type: none"> • Set the heating circuit: Heating circuit 1 menu <p>Set the comfort setting</p> <p>Set the curve slope</p>	<p>Comfort setting temperature (710)</p> <p>Heating curve slope (720)</p>	<p>---</p> <p>---</p>
<ul style="list-style-type: none"> • Switch the heating mode to permanent comfort 		

- Connect the bus between the boilers (⚠ respect the polarity).
- Turn off the slave boiler(s) and then turn on again. If communication is successful, the clock is correctly updated.

E. ELECTRICAL AND HYDRAULIC VALIDATION

On boiler No. 1: master

	<i>Line No.</i>	<i>Value</i>
• <i>Cascade diagnostic</i> menu		
Check that all boilers are present in the cascade		
	Status of generator 1 (8100)	Released / not released
	Status of generator 2 (8101)	Released / not released
.....		
• <i>Input/output test</i> menu		
Check the outputs		
Alarm relay	Relay test (7700)	Relay output QX1
Insulating valve Q1.1	Relay test (7700)	Relay output QX3
All relays of extension modules	Relay test (7700)	Relay output QX2... module...
Reset outputs	Relay test (7700)	No test
Check sensor values		
External sensor B9	External T° B9 (7730)	in °C
DHW sensor B3 (<i>diagram VX212</i>)	DHW temperature B3/B8 (7750)	in °C
Flow sensor in cascade B10	Sensor T° BX2 (7821)	in °C
Flow sensor B1	Temperature sensor BX21 module 1 (7830)	in °C
Flow sensor B12	Temperature sensor BX21 module 2 (7832)	in °C
Flow sensor B14	Temperature sensor BX21 module 3 (7834)	in °C
Diagram VX212 only:		
Check the status of contact H1	Status of contact H1 (7841)	Closed if the shunt is in place

On boiler(s) No. 2 (and later): slave

	<i>Line No.</i>	<i>Value</i>
• <i>Input/output test</i> menu		
Check the outputs		
Alarm relay	Relay test (7700)	Relay output QX1
Insulating valve Q1.2	Relay test (7700)	Relay output QX3
Reset outputs	Relay test (7700)	No test

	Line No.	Value
Check the values of the sensors (if 4th heating circuit present)		
Flow sensor B1.2	Temperature sensor BX21 module 1 (7830)	in °C

F. OPTIMISATION OF SETTINGS

On master and slave boilers

Optimisation of the heating circuits:

<ul style="list-style-type: none"> • Heating circuit 1 / 2 / 3 menu 		
Set the reduced setting	Reduced temperature value (712/1012/1312)	---
<ul style="list-style-type: none"> • Time programme HC1 / HC2 / HC3 menu 		
Preselection	Preselection (500/520/540)	---
Adjust the time programme	On / Off phases (501...506) (521...526) (541...546)	---
<ul style="list-style-type: none"> • Holiday circuit HC1 / HC2 / HC3 menu 		
Preselection	Preselection (641/651/661)	---
Adjust the time programme	On / Off phases (642-643) (652-653) (662-663)	---
<ul style="list-style-type: none"> • Configuration menu 		
Activate the heating circuits' frost protection mode	Frost protection plant (6120)	On
<ul style="list-style-type: none"> • Switch the heating mode to automatic 		AUTO

Optimisation of DHW:

<ul style="list-style-type: none"> • DHW storage tank menu 		
Adjust the boost	Starting value of boost temperature (5020)	16 °C

Optimisation of the cascade:

The cascade may be optimised as required with the parameters of the **Cascade** menu. Refer to the LMS boiler command table instructions for more details.

Maintenance optimisation:

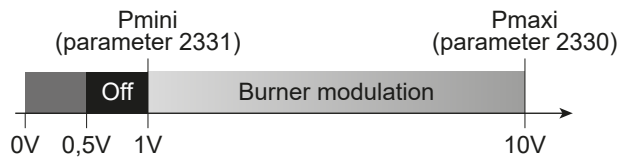
It is possible to generate a maintenance message without harming the boiler. This maintenance message may appear when the 3 following meters have elapsed:

- Time since last maintenance (or commissioning): set parameter 7044 to 12 months
- Operating hours of the burner (parameter 7040)
- Number of start-ups (parameter 7042)

The last 2 parameters depend on the boiler room's hydraulic installation. It is recommended to use at least parameter 7044 for yearly maintenance.

9.4. Specific configurations when connecting to 0-10V outputs (Ux)

9.4.1. Transfer of the "burner power" image to PLC



0...0,5 Vcc	The boiler status inhibits starting or locking
0,5...1 Vcc	The boiler is waiting to start or waiting for pre- or post- ventilation
1...10 Vcc	The boiler is working with its flame lit between the min. and max. power levels

D. SPECIFIC START-UP PROCEDURE

	Line No.	Value
<ul style="list-style-type: none"> • Configuration menu 		
Declare the output which gives the image of the burner power.	Function output Ux (6078/6089)	Burner modulation
Signal direction. Progress of the 0-10V signal in the signal increase direction for speed increase.	Signal logil output UX (6079/6090)	Standard

9.4.2. Controlling a Q1 boiler pump

D. SPECIFIC START-UP PROCEDURE

	Line No.	Value
<ul style="list-style-type: none"> • Configuration menu 		
Declare the output which gives the image of the burner power.	Function output Ux (6078/6089)	Boiler pump Q1
Signal direction. Progress of the 0-10V signal in the signal increase direction for speed increase.	Signal logil output UX (6079/6090)	Standard
<ul style="list-style-type: none"> • Boiler menu 		
Set these 3 parameters to the same value	Starting speed (2321)	between 0 and 100 %
	Pump speed min (2322)	between 0 and 100 %
	Pump speed max (2323)	between 0 and 100 %

9.4.3. Controlling a Q2, Q6 or Q20 heating circuit pump

D. SPECIFIC START-UP PROCEDURE

	Line No.	Value
<ul style="list-style-type: none"> • Configuration menu 		
Case of a 0-10V command Q2, Q6 or Q20 heating pump. Configure the heating pump.	Function output Ux (6078/6089)	Heat circuit pump HC1 Q2 Or Heat circuit pump HC2 Q6 Or Heat circuit pump HC3 Q20
Signal direction. Progress of the 0-10V signal in the signal increase direction for speed increase.	Signal logil output UX (6079/6090)	Standard
<ul style="list-style-type: none"> • Heating circuit 1/2/3 menu 		
Set these 3 parameters to the same value	Starting speed (881/1181/1481)	between 0 and 100 %
	Pump speed min (882/1182/1482)	between 0 and 100 %
	Pump speed max (883/1183/1483)	between 0 and 100 %

E. ELECTRICAL AND HYDRAULIC VALIDATION

	Line No.	Value
<ul style="list-style-type: none"> • Input/output test menu 		
Check the outputs Pump with 0-10 V control	Output test Ux (7716/7724)	in V

9.4.4. Controlling a DHW pump Q3

D. SPECIFIC START-UP PROCEDURE

	Line No.	Value
<ul style="list-style-type: none"> • Configuration menu 		
Case of a 0-10V command DHW pump. Configure the DHW pump Q3.	Function output Ux (6078/6089)	Pompe ECS Q3
Signal direction. Progress of the 0-10V signal in the signal increase direction for speed increase.	Signal logil output UX (6079/6090)	Standard

	Line No.	Value
<ul style="list-style-type: none"> • DHW storage tank menu 		
Set these 3 parameters to the same value	Pump speed min (5101)	between 0 and 100 %
	Pump speed max (5102)	between 0 and 100 %
	Starting speed charg pump (5108)	between 0 and 100 %

E. ELECTRICAL AND HYDRAULIC VALIDATION

	Line No.	Value
<ul style="list-style-type: none"> • Input/output test menu 		
Check the outputs		
Pump with 0-10 V control	Output test Ux (7716/7724)	in V

10. LIST OF SPARE PARTS

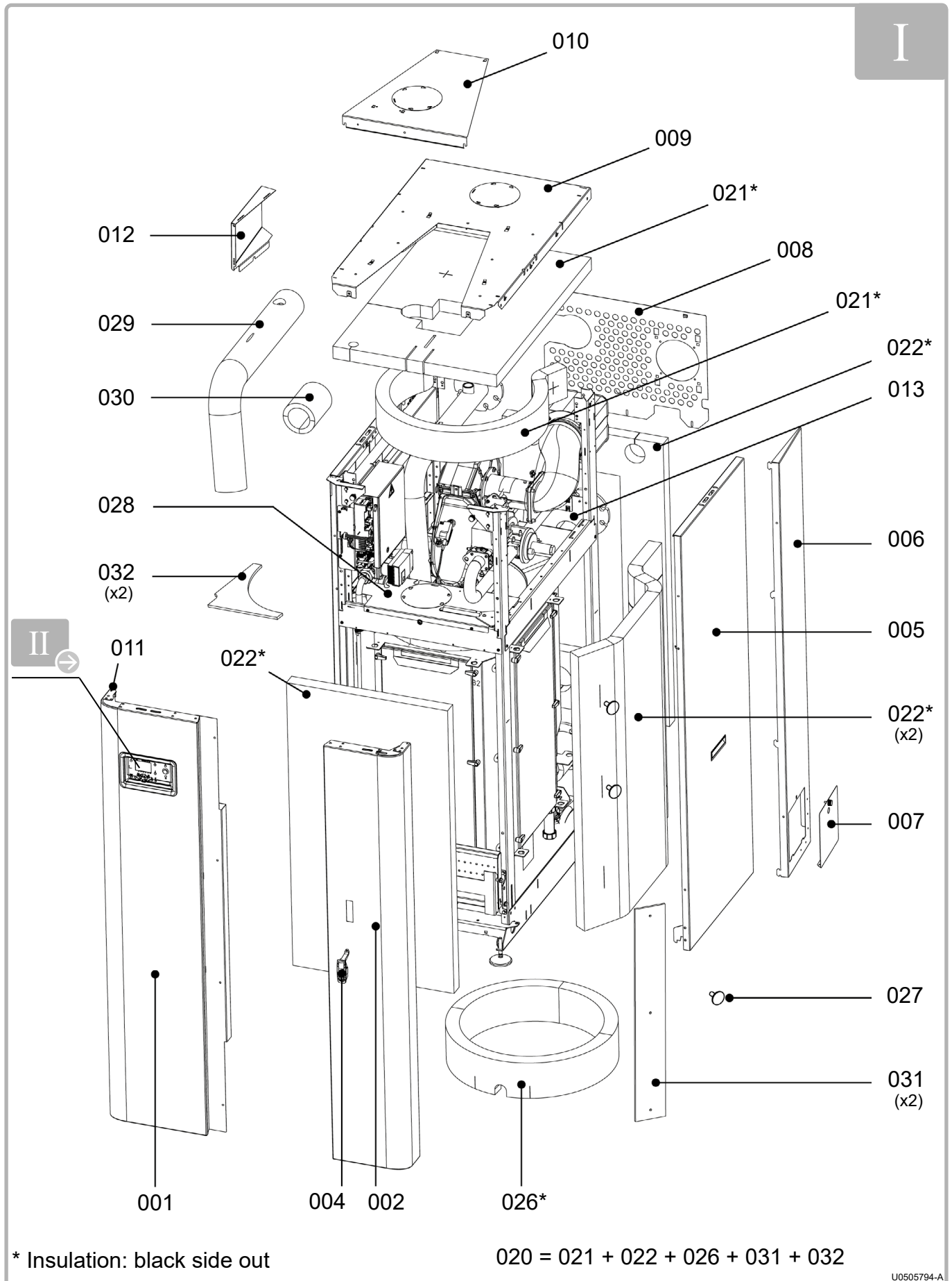


figure 72 - Cladding / Insulation

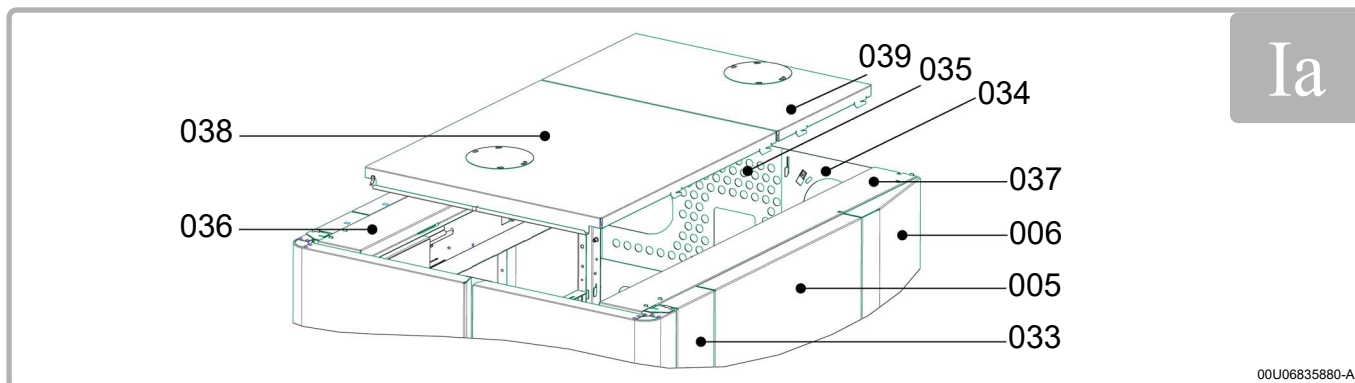
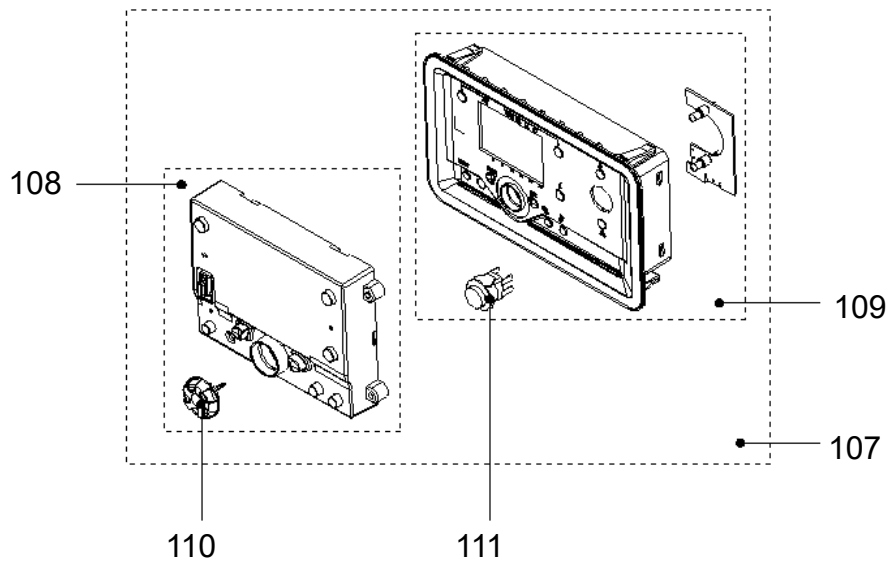
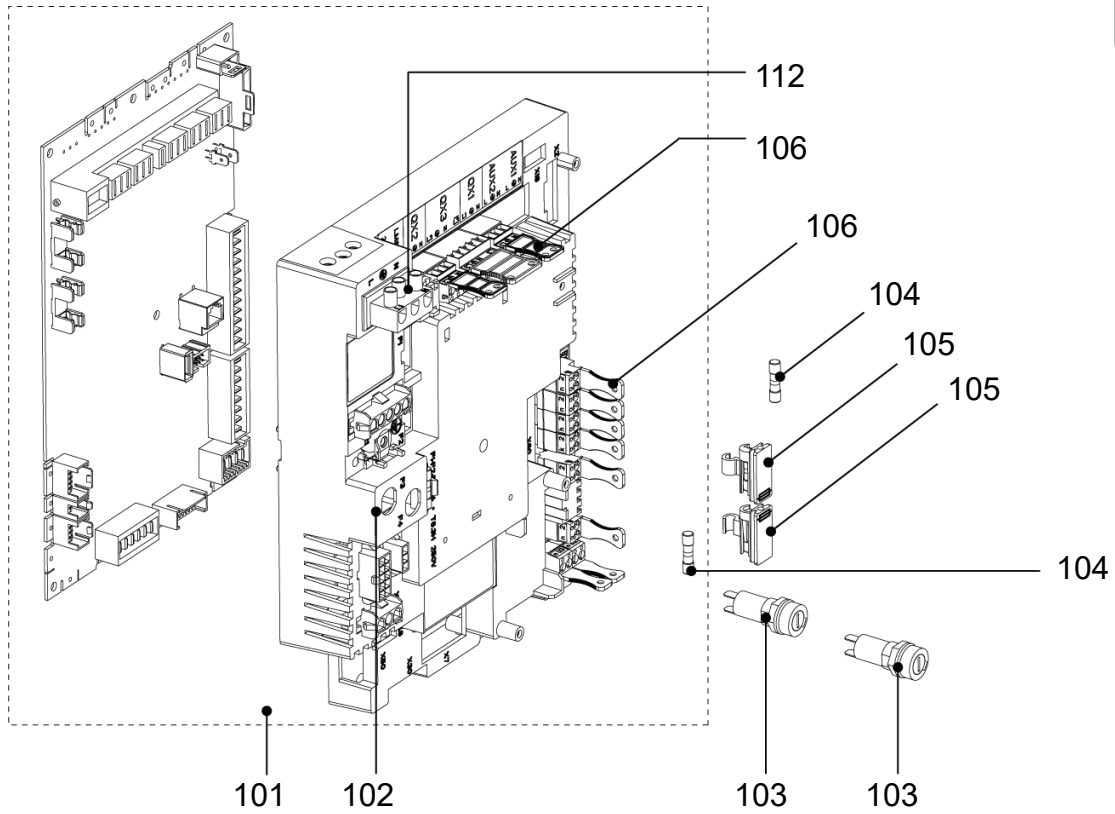


figure 73 - Specific casing 525 and 600 kW

Mark	NAME	REF. FOR MODELS					
		120 & 140	180 & 225	275 & 320	390 & 450	525 & 600	
Cladding							
001	Front left-hand door	76092	76093	76094	76095	79183	
002	Front right-hand door	76088	76089	76090	76091	79181	
004	Lock	76024					
005	Side jacket	76096	76097	76098	76099	79185	
006	Rear mounting	76100	76101	76102	76103	79187	
007	Siphon hatch	76116					
008	Rear closure	76112	76113	76114	76115	--	
009	Roof	76104		76106	76107	--	
010	Opening roof	76108		76110	76111	--	
011	Door pin	72898					
012	Cable exit	76426					
013	Rear cross member	76931	76932	76933	76934	79198	
033	Front side cover	--					79189
034	Rear air intake grille	--					79190
035	Back grate for outlet connection	--					79191
036	Top left cross member	--					79261
037	Upper right cross member	--					79222
038	Front roof	--					79195
039	Rear roof	--					79197
Insulation							
020	Glass wool panels	76117	76118	76119	76120	79215	
021	Superior panel insulation	76279	76280	76281	76282	79216	
022	Side, front and back panel insulation	76283	76284	76285	76286	79217	
026	Inferior boa insulation	76299	76300	76301	76302	79218	
027	Insulation support (6 parts)	76125					
028	Insulation protection sheet	76770		76771	76772	79221	
029	Flow insulation kit	76303	76304	76305	76306	--	
	Flow insulation kit	--		76997	76998	--	
030	Return insulation kit	76307	76308	76309		79223	
031	Front pillars refractory	--			76773	--	
032	Tubesheet refractory	--			76774	--	

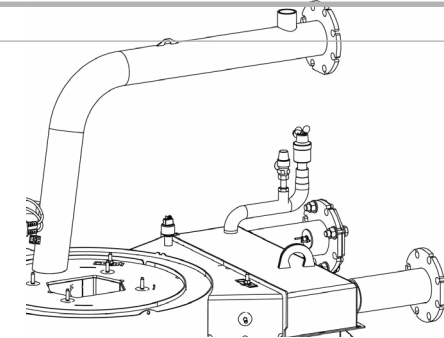
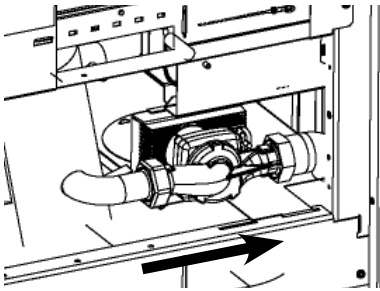


U0505839-# / U0505841-#

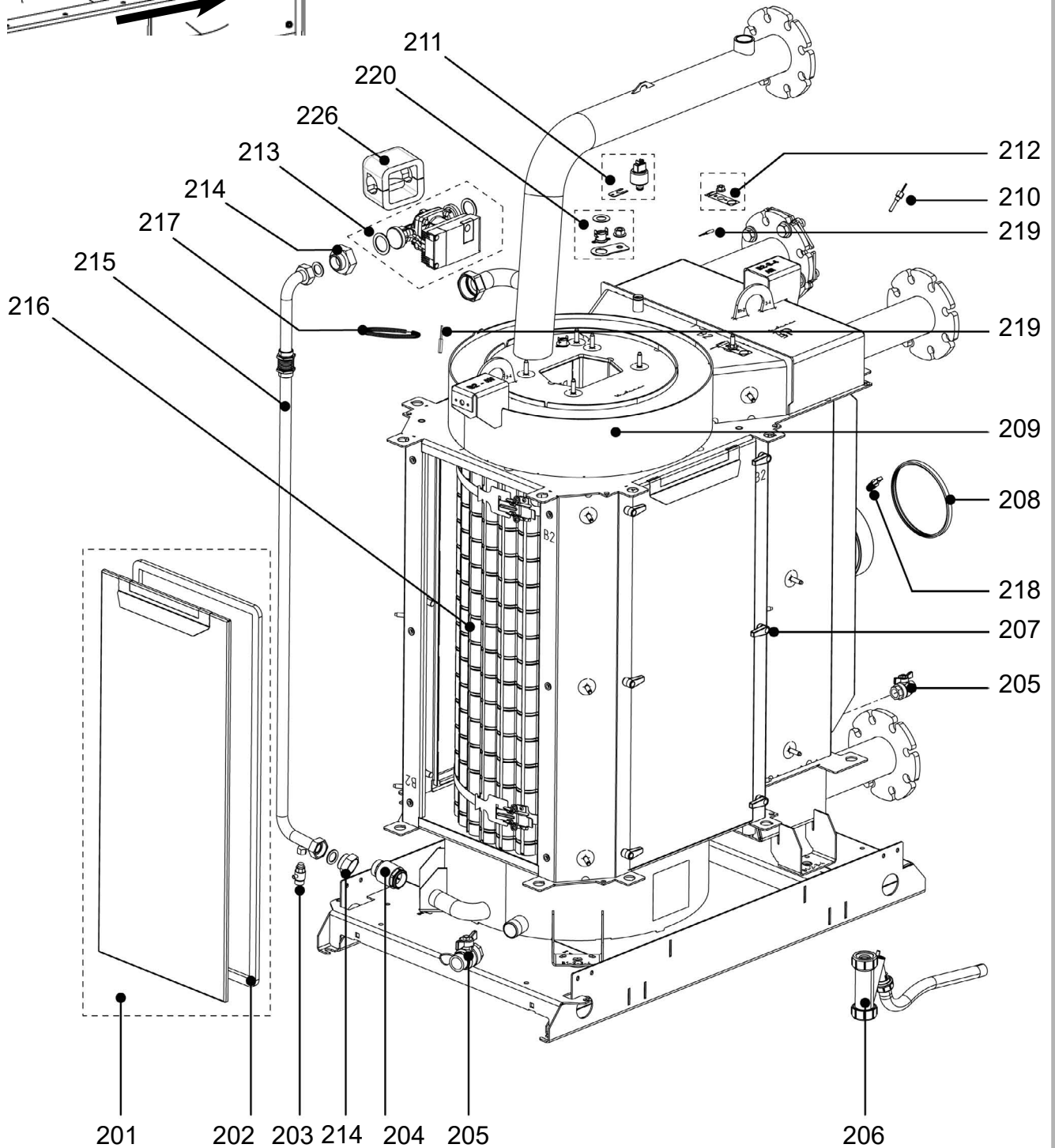
figure 74 - Control panel

Mark	NAME	REF. FOR MODELS				
		120 & 140	180 & 225	275 & 320	390 & 450	
Control panel						
101	Platform with LMS configured	120 :	180 :	275 :	380 :	525 :
		78861	78863	78865	78867	79226
101		140 :	225 :	320 :	450 :	600 :
		78862	78864	78866	78868	79227
102	Platform without LMS and with wiring	78320				
103	Round fuse holder	76130				
104	Fuse (T 6.3 H - 5x20)	71898				
105	Square fuse holder (with fuse)	76129				
106	Customer connectors to platform	76128				
107	Full display (MMI)	78852				
108	Single display (MMI) with thumbwheel	78477				
109	Plastic part of display (MMI) + LED card + switch + LED webbing	78704				
110	Thumbwheel	76135				
111	Switch	76134				
112	Power supply connector	76523				
--	High voltage wiring	76136	76137	76138		
--	Low voltage wiring	76139	76140	79240		
--	Base / body earth wiring	76143				
--	Cladding / structure earth wiring	76144				
--	Wiring for display power (MMI)	79239				
--	AVS75 power wiring	76146				
--	AVS75 control ribbon cable	76147				
--	Display (MMI) ribbon cable	76148				
--	Circulation pump wiring	79087		--		
--	Gas valve connector cable	76628	--			

Flow direction in circulation pump

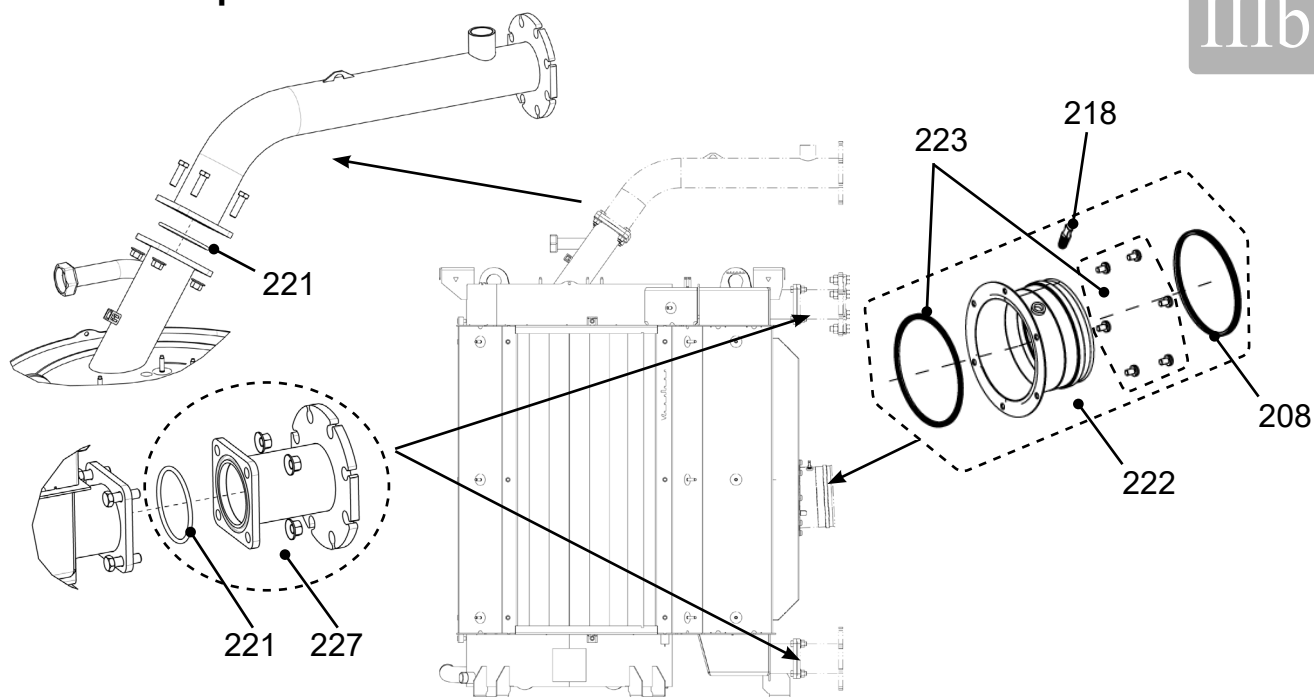


Version 4 connections with trap



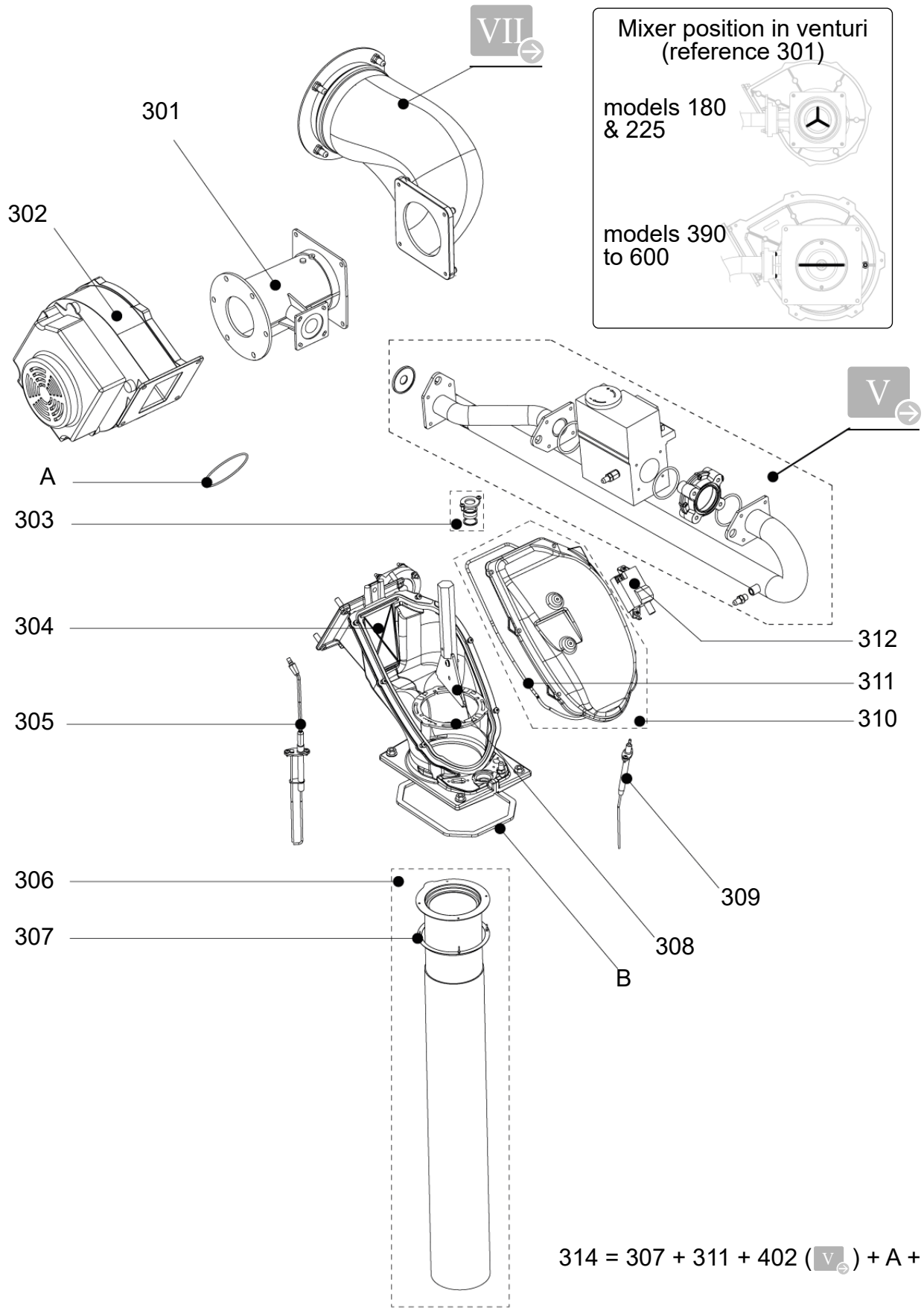
U0505837-A

figure 75 - Body

Removable taps and nozzle:
IIIb


Mark	NAME	REF. FOR MODELS				
		120 & 140	180 & 225	275 & 320	390 & 450	525 & 600
Body						
201	Exchanger door with seal	76015	76016	76017	76018	
202	Exchanger door seals (x3)	76019	76020	76021	76022	
203	Drain cock	72171				
204	Anti-return valve on recirculation	--		76009		
205	Drain valve	73947				
206	Condensate siphon	71925				
207	Tightening clamp and attachment screws for exchanger door (x8)	76023				
208	Flue outlet seal	76027	76028	76029		
209	Heat exchanger (2 or 3 tappings)	79107	79108	76055	76056	79203
	Heat exchanger (4 tappings)	79109	79110	76059	76060	79204
210	Flue-gas temperature sensor with seal	76014				
211	Pressure sensor with attachment	73946				
212	Support plate for return sensor & safety thermostat with attachment bolt	76025				
213	Circulation pump with seals	79027	76000	76001		79205
214	Hydraulic reduction with seals	76006			--	
215	Recirculation rod with seals	76002	76003	76004	76005	79206
216	Flue-gas baffles with holding spring and strappings	76010	76011	76012	76013	79207
217	Flow sensor attachment kit	76262	76063	76263		79208
218	Stopper for sample point	76026				
219	Flow / Return sensor	71899				
220	Safety thermostat + dielectric seal + fixture	76158				
221	Pouch of 4 seals for outlet / return taps	--		60201		79209
222	Gas nozzle with seals and fittings	78322	78323	78324		
223	Gas box seal with fitting	78325	78326	78327		
224	Trap	71924				
225	valve	79160				
226	Circulator insulation + elbow insulation	76123				79225
227	Backing flange on third tapping with seal	--	76155	76156	79228	

IV



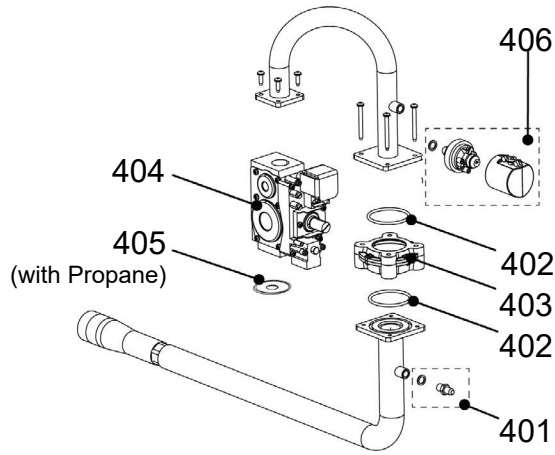
U0505836-#

figure 76 - Burner

Mark	NAME	REF. FOR MODELS				
		120 & 140	180 & 225	275 & 320	390 & 450	525 & 600
Burner						
301	Venturi with mixer	72411	76151	71859	76152	72693
302	Fan	76264	60438	71209	72692	79212
303	Inspection aperture with fastening screws	76048				
304	Spool piece flue-gas anti-return valve	76049	76050		76051	
305	Ignition electrode with fastening screws	76046				
306	Tube with seal	76030	76031	76032	76033	
307	Tube seal	76034	76035		76036	
308	Tube assembly (bayonet, mounting tool, mounting tool attachment)	76037	76038		76039	
309	Ionisation electrode with fastening screws	76047				
310	Spool piece cover with seal	76040	76041		76042	
311	Spool piece cover seal	76043	76044		76045	
312	Ignition transformer with tab to screw in and fastening screws	72131				
314	Burner seal	76061	76062		76064	79213
--	Micro-compressor to help with ignition	76070				



Models 120 and 140



Models 180 to 600

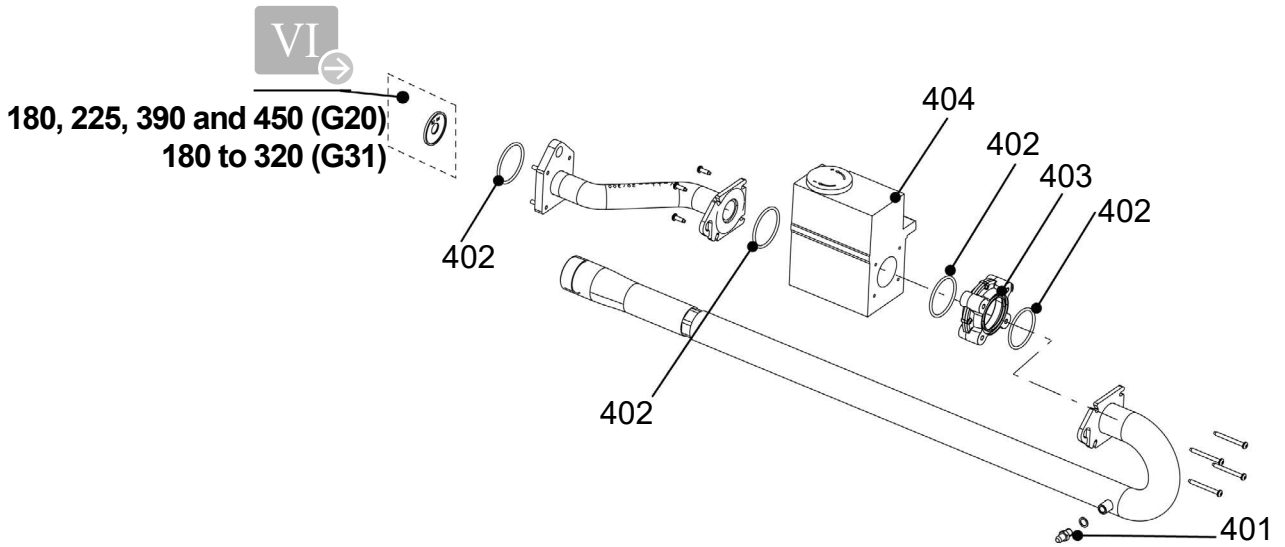


figure 77 - Gas line

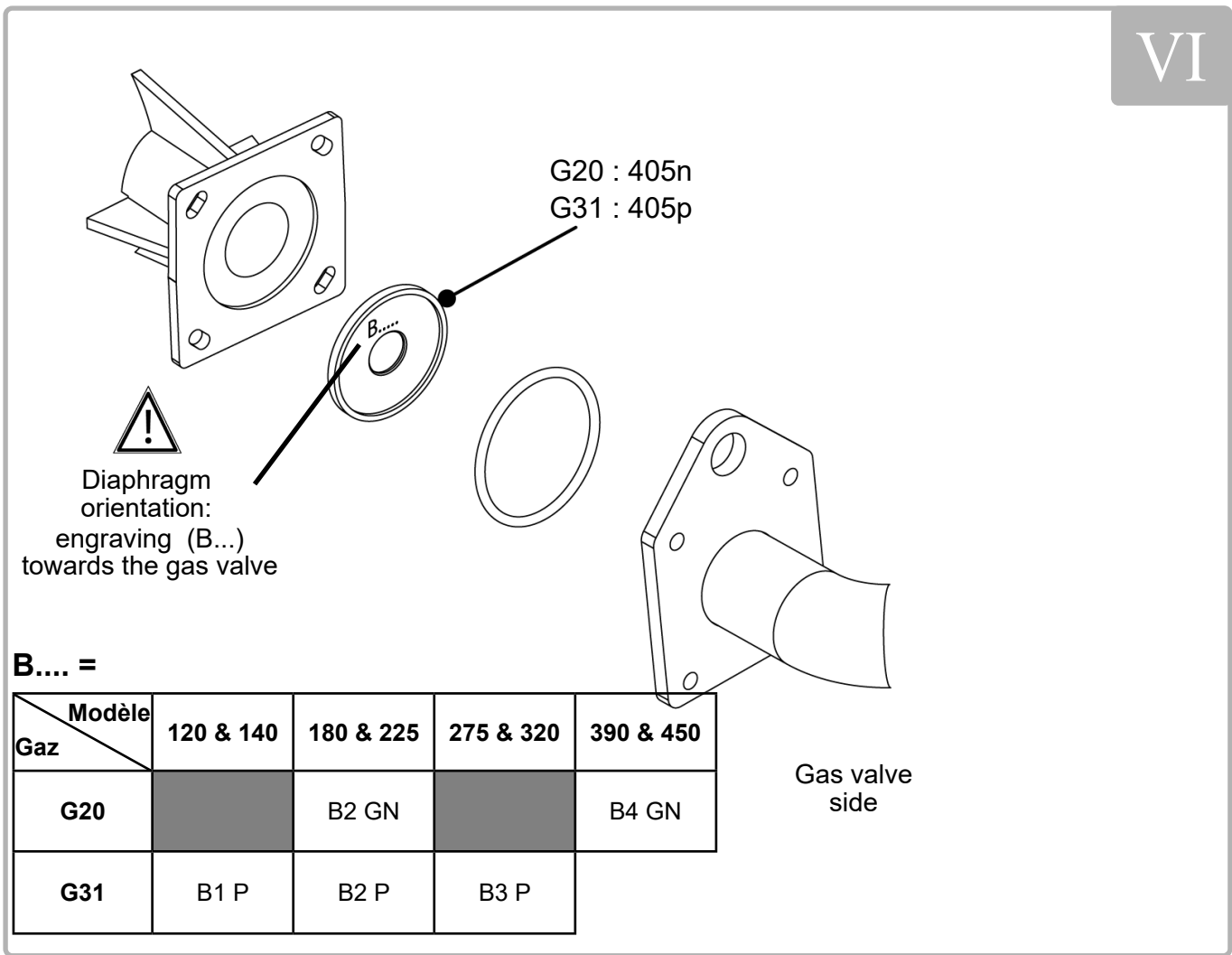
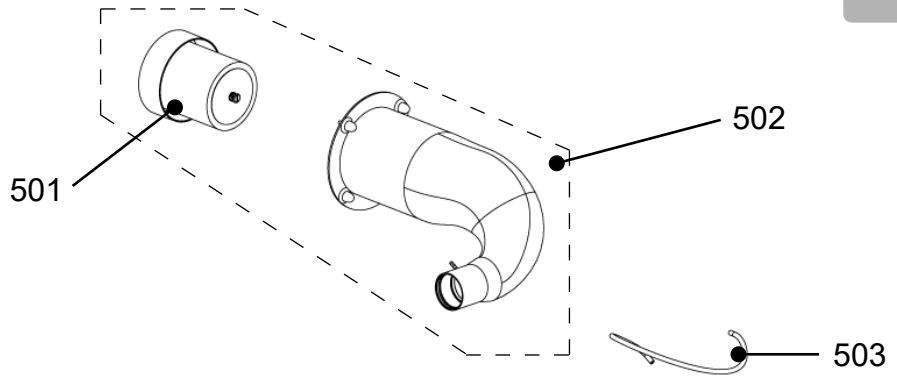


figure 78 - Diaphragm

Mark	NAME	REF. FOR MODELS				
		120 & 140	180 & 225	275 & 320	390 & 450	525 & 600
401	Versilic pipe	76079				
402	Gas line seals	76080	76081			
403	Gas valve filter	71802				
404	Gas valve	76363	76364	76365	76366	79262
405n	Diaphragm G20 (B2 GN : 180/225 ; B4 GN : 390/450)	--	76082	--	76083	--
405p	Diaphragm G31 (B1 P : 120/140 ; B2 P : 180/225 ; B3 P : 275/320)	76442	76443	76444	--	--
406	Pre-regulated gas valve pressostat	72409	60439			79235

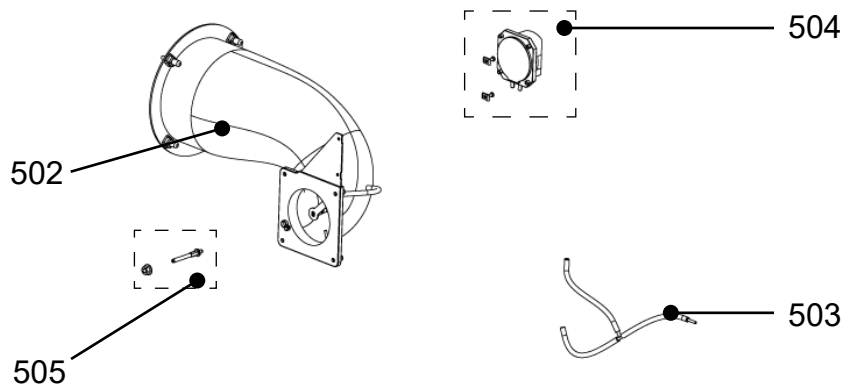
Models: 120 & 140



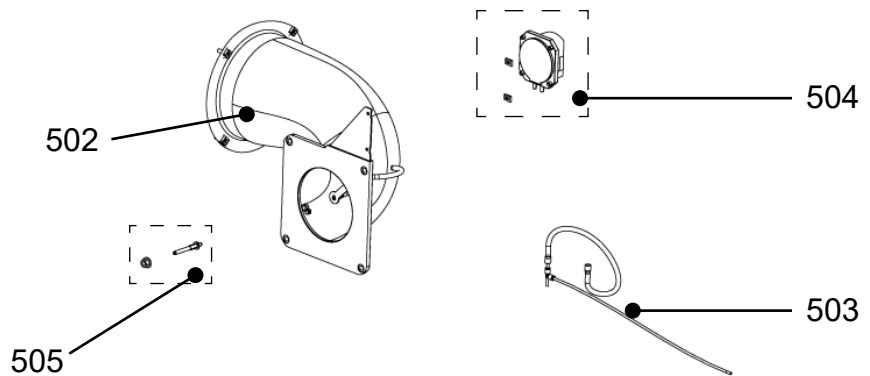
Models: 180 & 225



Models: 275 & 320



Models: 390 to 600



U0505836-#

figure 79 - Air inlet duck

Mark	NAME	REF. FOR MODELS				
		120 & 140	180 & 225	275 & 320	390 & 450	525 & 600
501	Acoustic air intake	76846	--			
502	Air inlet duct	76845	76066	78328	78329	
503	Pressure transfer pipes	78332	78333	78334	78335	
504	Air pressostat	--		78330	78331	79214
505	Pressure grip of venturi pass	--		78336	78337	

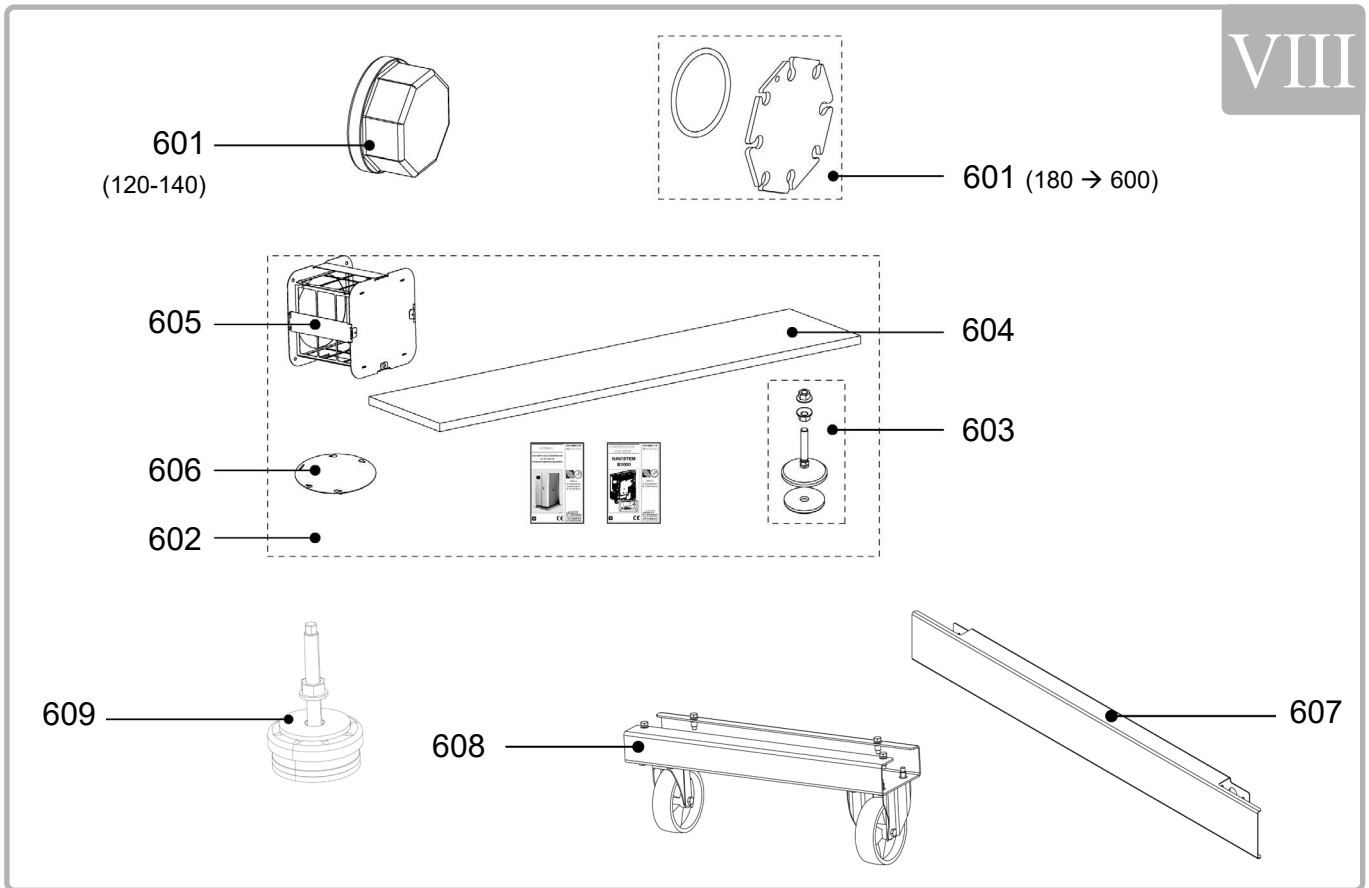


figure 80 - Accessories

Mark	NAME	REF. FOR MODELS					
		120 & 140	180 & 225	275 & 320	380 & 450	525 & 600	
Accessories							
601	Cork flange	76154	78577		79201		
602	Complete box of accessories (feet, sole, filters, ...)	76268	76269	76270			
603	Levelling feet with sole (x4)	76153					
604	Filter matting for air filter	76543					
605	Air filter	76157	76159	76160			
606	Cork passage of slings	76344					
607	Plinths	76165	76166	76167	79229		
608	Rollers	76164	--				
609	Shock absorbing foot	78585				--	
--	OCI 345 communication kit	76168					
--	AVS 75 extension module kit	72361					
--	QAD 36 network probe kit	71122					
--	QAC 34 outdoor probe kit	62860					
--	ECS QAZ 36 probe kit	62864					
--	QAA 75 room sensor kit	72368					
--	Radio link kit for outdoor probe	72370				--	

11. TABLE OF CUSTOMER SETTINGS

Boiler: site:

Serial No.:

Please refer to the parameter modifications in this document!

Note: The "access" column indicates the level of accessibility to the information or programme (E for end user, C for commissioning and S for Specialist). The *Commissioning* level of service integrates the *End User* level. The *Specialist* level integrates the *Commissioning* level.

Line No.	Programme	Access	Default value	Customer setting
Time of day and date				
1	Hours / minutes	E	00 : 00	
2	Day / month	E	dd.mm	
3	Year	E	yyyy	
5	Start of summertime	C	dd.mm	
6	End of summertime	C	dd.mm	
Operator section				
20	Language	E	English	
22	Info	C	Temporarily	
26	Operation lock	C	Off	
27	Programming lock	C	Off	
28	Direct adjustment	C	Storage with confirmation	
29	Units	E	°C, bar	
42	Assignment device 1	C	Heating circuit 1	
44	Operation HC2	C	Jointly with HC1	
46	Operation HC3/P	C	Jointly with HC1	
70	Software version	C		
Time prog heating circuit 1				
500	Preselection	E	Mo-Su	
501	First period start time	E	06:00	
502	First period stop time	E	22:00	
503	Second period start time	E	24:00	
504	Second period stop time	E	24:00	
505	Second period start time	E	24:00	
506	Second period stop time	E	24:00	
516	Default values	E	No	
Time prog heating circuit 2				
520	Preselection	E	Mo-Su	
521	First period start time	E	06:00	
522	First period stop time	E	22:00	
523	Second period start time	E	24:00	
524	Second period stop time	E	24:00	
525	Second period start time	E	24:00	
526	Second period stop time	E	24:00	
536	Default values	E	No	
Time prog heating circuit 3				
540	Preselection	E	Mo-Su	
541	First period start time	E	06:00	

Line No.	Programme	Access	Default value	Customer setting
542	First period stop time	E	22:00	
543	Second period start time	E	24:00	
544	Second period stop time	E	24:00	
545	Second period start time	E	24:00	
546	Second period stop time	E	24:00	
556	Default values	E	No	
Time program 4 / DHW				
560	Preselection	E	Mo-Su	
561	First period start time	E	06:00	
562	First period stop time	E	22:00	
563	Second period start time	E	24:00	
564	Second period stop time	E	24:00	
565	Second period start time	E	24:00	
566	Second period stop time	E	24:00	
576	Default values	E	No	
Time program 5				
600	Preselection	E	Mo-Su	
601	First period start time	E	06:00	
602	First period stop time	E	22:00	
603	Second period start time	E	24:00	
604	Second period stop time	E	24:00	
605	Second period start time	E	24:00	
606	Second period stop time	E	24:00	
616	Default values	E	No	
Holidays heating circuit 1				
641	Preselection	E	Period 1	
642	Begin (dd.mm)	E	01.01	
643	End (dd.mm)	E	01.01	
648	Operating level	E	Frost protection	
Holidays heating circuit 2				
651	Preselection	E	Period 1	
652	Begin (dd.mm)	E	01.01	
653	End (dd.mm)	E	01.01	
658	Operating level	E	Frost protection	
Holidays heating circuit 3				
661	Preselection	E	Period 1	
662	Begin (dd.mm)	E	01.01	
663	End (dd.mm)	E	01.01	
668	Operating level	E	Frost protection	
Heating circuit 1				
710	Comfort setpoint	E	20 °C	
712	Reduced setpoint	E	18 °C	
714	Frost protection setpoint	E	10 °C	
716	Comfort setpoint max	S	35 °C	
720	Heating curve slope	E	1,5	
721	Heating curve displacement	S	0 °C	
726	Heating curve adaptation	S	Off	
730	Summer/winter heating limit	E	19 °C	
732	24-hour heating limit	S	--- °C	

Line No.	Programme	Access	Default value	Customer setting
740	Flow temp setpoint min	C	8 °C	
741	Flow temp setpoint max	C	80 °C	
742	Flow temp setpoint room stat	E	65 °C	
746	Delay heat request	C	0 s	
750	Room influence	S	20 %	
760	Room temp limitation	S	1 °C	
761	Heating limit room controller	S	--- °C	
770	Boost heating	S	3 °C	
780	Quick setback	S	Off	
790	Optimum start control max	S	00:00	
791	Optimum stop control max	S	00:00	
800	Reduced setp increase start	S	-5 °C	
801	Reduced setp increase end	S	-15 °C	
809	Continuous pump operation	S	No	
820	Overtmp prot pump circuit	S	On	
830	Mixing valve boost	S	3 °C	
832	Actuator type	S	3-position	
833	TOR Switching differential	S	2 °C	
834	Actuator running time	S	120 s	
835	Mixing valve Xp	S	32 °C	
836	Mixing valve Tn	S	120 s	
850	Floor curing function	C	Off	
851	Floor curing setp manually	C	25 °C	
855	Floor curing setp current	E	0 °C	
856	Floor curing day current	E	0	
861	Excess heat draw	S	Always	
870	With buffer	S	No	
872	With prim contr/system pump	S	No	
881	Starting speed	S	100 %	
882	Pump speed min	S	100 %	
883	Pump speed max	S	100 %	
888	Curve readj at 50% speed	S	33 %	
889	Filter time const speed ctrl	S	5 min	
890	Flow setp readj speed ctrl	S	Yes	
898	Operating level changeover	S	Reduced	
900	Optg mode changeover	S	Protection	
Heating circuit 2				
1010	Comfort setpoint	E	20 °C	
1012	Reduced setpoint	E	18 °C	
1014	Frost protection setpoint	E	10 °C	
1016	Comfort setpoint max	S	35 °C	
1020	Heating curve slope	E	1,5	
1021	Heating curve displacement	S	0 °C	
1026	Heating curve adaptation	S	Off	
1030	Summer/winter heating limit	E	19 °C	
1032	24-hour heating limit	S	--- °C	
1040	Flow temp setpoint min	C	8 °C	
1041	Flow temp setpoint max	C	80 °C	
1042	Flow temp setpoint room stat	E	65 °C	

Line No.	Programme	Access	Default value	Customer setting
1046	Delay heat request	C	0 s	
1050	Room influence	S	20 %	
1060	Room temp limitation	S	1 °C	
1061	Heating limit room controller	S	--- °C	
1070	Boost heating	S	3 °C	
1080	Quick setback	S	Off	
1090	Optimum start control max	S	00:00	
1091	Optimum stop control max	S	00:00	
1100	Reduced setp increase start	S	-5 °C	
1101	Reduced setp increase end	S	-15 °C	
1109	Continuous pump operation	S	No	
1120	Overtemp prot pump circuit	S	On	
1130	Mixing valve boost	S	3 °C	
1132	Actuator type	S	3-position	
1133	TOR Switching differential	S	2 °C	
1134	Actuator running time	S	120 s	
1135	Mixing valve Xp	S	32 °C	
1136	Mixing valve Tn	S	120 s	
1150	Floor curing function	C	Off	
1151	Floor curing setp manually	C	25 °C	
1155	Floor curing setp current	E	0 °C	
1156	Floor curing day current	E	0	
1161	Excess heat draw	S	Always	
1170	With buffer	S	No	
1172	With prim contr/system pump	S	No	
1181	Starting speed	S	100 %	
1182	Pump speed min	S	100 %	
1183	Pump speed max	S	100 %	
1188	Curve readj at 50% speed	S	33 %	
1189	Filter time const speed ctrl	S	5 min	
1190	Flow setp readj speed ctrl	S	Yes	
1198	Operating level changeover	S	Reduced	
1200	Optg mode changeover	S	Protection	
Heating circuit 3				
1310	Comfort setpoint	E	20 °C	
1312	Reduced setpoint	E	18 °C	
1314	Frost protection setpoint	E	10 °C	
1316	Comfort setpoint max	S	35 °C	
1320	Heating curve slope	E	1,5	
1321	Heating curve displacement	S	0 °C	
1326	Heating curve adaptation	S	Off	
1330	Summer/winter heating limit	E	19 °C	
1332	24-hour heating limit	S	--- °C	
1340	Flow temp setpoint min	C	8 °C	
1341	Flow temp setpoint max	C	80 °C	
1342	Flow temp setpoint room stat	E	65 °C	
1346	Delay heat request	C	0 s	
1350	Room influence	S	20 %	
1360	Room temp limitation	S	1 °C	

Line No.	Programme	Access	Default value	Customer setting
1361	Heating limit room controller	S	--- °C	
1370	Boost heating	S	3 °C	
1380	Quick setback	S	Off	
1390	Optimum start control max	S	00:00	
1391	Optimum stop control max	S	00:00	
1400	Reduced setp increase start	S	-5 °C	
1401	Reduced setp increase end	S	-15 °C	
1409	Continuous pump operation	S	No	
1420	Overtemp prot pump circuit	S	On	
1430	Mixing valve boost	S	3 °C	
1432	Actuator type	S	3-position	
1433	TOR Switching differential	S	2 °C	
1434	Actuator running time	S	120 s	
1434	Actuator running time	S	120 s	
1435	Mixing valve Xp	S	32 °C	
1450	Floor curing function	C	Off	
1451	Floor curing setp manually	C	25 °C	
1455	Floor curing setp current	E	0 °C	
1456	Floor curing day current	E	0	
1461	Excess heat draw	S	Always	
1470	With buffer	S	No	
1472	With prim contr/system pump	S	No	
1481	Starting speed	S	100 %	
1482	Pump speed min	S	50 %	
1483	Pump speed max	S	100 %	
1488	Curve readj at 50% speed	S	33 %	
1489	Filter time const speed ctrl	S	5 min	
1490	Flow setp readj speed ctrl	S	Yes	
1498	Operating level changeover	S	Reduced	
1500	Optg mode changeover	S	Protection	
Domestic hot water				
1610	Nominal setpoint	E	50 °C	
1612	Reduced setpoint	S	45 °C	
1614	Nominal setpoint max	S	65 °C	
1620	Release	C	24h/day	
1630	Charging priority	C	MC shifting, PC absolute	
1640	Legionella function	S	Off	
1641	Legionella funct periodically	S	3	
1642	Legionella funct weekday	S	Monday	
1644	Legionella funct time	S	05:00	
1645	Legionella funct setpoint	S	55 °C	
1646	Legionella funct duration	S	30 min	
1647	Legionella funct circ pump	S	On	
1660	Circulating pump release	S	DHW release	
1661	Circulating pump cycling	S	On	
1663	Circulation setpoint	S	45 °C	
1680	Optg mode changeover	S	Off	

Line No.	Programme	Access	Default value	Customer setting
Consumer circuit 1				
1859	Flow temp setp cons request	C	60 °C	
1875	Excess heat draw	S	On	
1878	With buffer	S	No	
1880	With prim contr/system pump	S	No	
Consumer circuit 2				
1909	Flow temp setp cons request	C	60 °C	
1925	Excess heat draw	S	On	
1928	With buffer	S	No	
1930	With prim contr/system pump	S	No	
Consumer circuit 3				
1959	Flow temp setp cons request	C	70 °C	
1975	Excess heat draw	S	On	
1978	With buffer	S	No	
1980	With prim contr/system pump	S	No	
Swimming pool				
2055	Setpoint solar heating	S	26 °C	
2056	Setpoint source heating	S	22 °C	
2065	Charging priority solar	S	Priority 2	
2080	With solar integration	S	Yes	
Boiler				
2203	Release below outside temp	S	0 °C	
2208	Full charging buffer	S	Off	
2210	Setpoint min	S	8 °C	
2212	Setpoint max	S	85 °C	
2214	Setpoint manual control	E	70 °C	
2217	Setpoint frost protection	S	8°C	
2243	Burner off time min	S	5 min	
2250	Pump overrun time	S	5 min	
2253	Pump overr time after DHW	S	1 min	
2270	Return setpoint min	S	8 °C	
2321	Starting speed	S	100 %	
2322	Pump speed min	S	100 %	
2323	Pump speed max	S	100 %	
2330	Output nominal	S	Depending on boiler	
2331	Output basic stage	S	Depending on boiler	
2334	Output at pump speed min	S	0 %	
2335	Output at pump speed max	S	100 %	
2441	Fan speed heating max	S	Depending on boiler	
2442	Fan speed full charging max	S	Depending on boiler	
2444	Fan speed DHW max	S	Depending on boiler	
2454	Switching diff on HCs	S	3 °C	
2455	Switching diff off min HCs	S	3 °C	
2456	Switching diff off max HCs	S	6 °C	
2457	Settling time HCs	S	20 min	
2460	Switching diff on DHW	S	3 °C	
2461	Switching diff off min DHW	S	3 °C	
2462	Switching diff off max DHW	S	6 °C	
2463	Settling time DHW	S	20 min	

Line No.	Programme	Access	Default value	Customer setting
2470	Delay heat req special op	C	0 s	
2503	Parameter	S	--- s	
2630	Auto deaeration procedure	S	Off	
2655	ON time deaeration	S	10 s	
2656	OFF time deaeration	S	5 s	
2657	Number of repetitions	S	3	
2662	Deaeration time heat circuit	S	10 min	
2663	Deaeration time DHW	S	5 min	
Cascade				
3510	Lead strategy	S	Early on, late off	
3511	Output band min	S	30 %	
3512	Output band max	S	90 %	
3530	Release integral source seq	S	50 °Cmin	
3531	Reset integral source seq	S	20 °Cmin	
3532	Restart lock	S	300 s	
3533	Switch on delay	S	5 min	
3534	Forced time basic stage	S	60 s	
3535	Switch-on delay DHW	S	2 min	
3540	Auto source seq ch'over	S	500 h	
3541	Auto source seq exclusion	S	none	
3544	Leading source	S	source 1	
3560	Return setpoint min	S	8 °C	
3562	Return influence consumers	S	On	
DHW storage tank				
5020	Flow setpoint boost	S	10 °C	
5021	Transfer boost	S	8 °C	
5022	Type of charging	S	Full charging	
5030	Charging time limitation	S	--- min	
5040	Discharging protection	S	Automatically	
5050	Charging temp max	S	80 °C	
5055	Recooling temp	S	80 °C	
5056	Recooling heat gen/HCs	S	Off	
5057	Recooling collector	S	Off	
5060	El imm heater optg mode	S	Substitute	
5061	El immersion heater release	S	DHW release	
5062	El immersion heater control	S	DHW sensor	
5085	Excess heat draw	S	On	
5090	With buffer	S	No	
5092	With prim contr/system pump	S	No	
5093	With solar integration	S	Yes	
5101	Pump speed min	S	100 %	
5102	Pump speed max	S	100 %	
5108	Starting speed chrg pump	S	100 %	
General functions				
5570	Temp diff on dT contr 1	S	20 °C	
5571	Temp diff off dT contr 1	S	10 °C	
5572	On temp min dT contr 1	S	0 °C	
5573	Sensor 1 controller 1	S	None	
5574	Sensor 2 controller 1	S	None	

Line No.	Programme	Access	Default value	Customer setting
5575	On time min dT contr 1	S	0 s	
5577	Pump/valve kick K21	S	On	
5580	Temp diff on dT contr 2	S	20 °C	
5581	Temp diff off dT contr 2	S	10 °C	
5582	On temp min dT contr 2	S	0 °C	
5583	Sensor 1 controller 2	S	None	
5584	Sensor 2 controller 2	S	None	
5585	On time min dT contr 2	S	0 s	
5587	Pump/valve kick K22	S	On	
Configuration				
5710	Heating circuit 1	C	Off	
5711	Cooling circuit 1	C	Off	
5715	Heating circuit 2	C	Off	
5721	Heating circuit 3	C	Off	
5730	DHW sensor	C	DHW sensor B3	
5731	DHW controlling element	C	Charging pump	
5732	Pump off change div valve	C	0 s	
5733	Delay pump off	C	0 s	
5734	Basic position DHW div valve	S	Last request	
5736	DHW separate circuit	C	Off	
5737	Optg action DHW div valve	S	Position on DHW	
5738	Midposition DHW div valve	S	Off	
5774	Ctrl boiler pump/DHW valve	C	All requests	
5840	Solar controlling element	C	Charging pump	
5841	External solar exchanger	C	Jointly	
5870	Combi storage tank	C	No	
5890	Relay output QX1	C	Alarm output K10	
5891	Relay output QX2	C	DHW ctrl elem Q3	
5892	Relay output QX3	C	Boiler pump Q1	
5931	Sensor input BX2	C	None	
5932	Sensor input BX3	C	None	
5950	Function input H1	C	None	
5951	Contact type H1	C	NO	
5953	Voltage value 1 H1 (U1)	C	0 V	
5954	Function value 1 H1 (F1)	C	0	
5955	Voltage value 2 H1 (U2)	C	10 V	
5956	Function value 2 H1 (F2)	C	1000	
5977	Function input H5	C	None	
5978	Contact type H5	C	NO	
6020	Function extension module 1	C	None	
6021	Function extension module 2	C	None	
6022	Function extension module 3	C	None	
6024	Funct input EX21 module 1	C	None	
6026	Funct input EX21 module 2	C	None	
6028	Funct input EX21 module 3	C	None	
6030	Relay output QX21 module 1	C	None	
6031	Relay output QX22 module 1	C	None	
6032	Relay output QX23 module 1	C	None	
6033	Relay output QX21 module 2	C	None	

Line No.	Programme	Access	Default value	Customer setting
6034	Relay output QX22 module 2	C	None	
6035	Relay output QX23 module 2	C	None	
6036	Relay output QX21 module 3	C	None	
6037	Relay output QX22 module 3	C	None	
6038	Relay output QX23 module 3	C	None	
6040	Sensor input BX21 module 1	C	None	
6041	Sensor input BX22 module 1	C	None	
6042	Sensor input BX21 module 2	C	None	
6043	Sensor input BX22 module 2	C	None	
6044	Sensor input BX21 module 3	C	None	
6045	Sensor input BX22 module 3	C	None	
6046	Function input H2 module 1	C	None	
6047	Contact type H2 module 1	C	NO	
6049	Voltage value 1 H2 module 1(U1)	C	0 V	
6050	Function value 1 H2 module 1 (F1)	C	0	
6051	Voltage value 2 H2 module 1 (U2)	C	0 V	
6052	Function value 2 H2 module 1 (F2)	C	0	
6054	Function input H2 module 2	C	None	
6055	Contact type H2 module 2	C	NO	
6057	Voltage value 1 H2 module 2(U1)	C	0 V	
6058	Function value 1 H2 module 2 (F1)	C	0	
6059	Voltage value 2 H2 module 2 (U2)	C	0 V	
6060	Function value 2 H2 module 2 (F2)	C	0	
6062	Function input H2 module 3	C	None	
6063	Contact type H2 module 3	C	NO	
6065	Voltage value 1 H2 module 3(U1)	C	0 V	
6066	Function value 1 H2 module 3 (F1)	C	0	
6067	Voltage value 2 H2 module 3 (U2)	C	0 V	
6068	Function value 2 H2 module 3 (F2)	C	0	
6078	Function output UX2	S	Boiler pump Q1	
6079	Signal logic output UX2	S	Standard	
6089	Function output UX3	S	None	
6090	Signal logic output UX3	S	Standard	
6097	Sensor type collector	S	NTC	
6098	Readjustm collector sensor	S	0 °C	
6100	Readjustm outside sensor	S	0 °C	
6110	Time constant building	S	8 h	
6116	Const tmps compens consig.	S	1 min	
6117	Compens centr T° consigne	S	3 °C	
6120	Frost protection plant	S	Off	
6127	Pump/valve kick duration	S	30 s	
6200	Save sensors	C	No	
6205	Reset to default parameter	S	No	
6212	Check no. heat source 1	C	14 : with boiler and recycling pumps	
6215	Check no. storage tank	C	0 : tank	
6217	Check no. heating circuits	C	0	
6220	Software version	S		
6230	Info 1 OEM	S		
6231	Info 2 OEM	S		

Line No.	Programme	Access	Default value	Customer setting
6234	Boiler type	S	1 : VARMAX	
LPB system				
6600	Device address	C	1	
6601	Segment address	S	0	
6604	Bus power supply function	S	Automatically	
6605	Bus power supply state	S	On	
6610	Display system messages	S	no	
6611	Syst messages alarm relay	S	no	
6612	Alarm delay	S	2 min	
6620	Action changeover functions	S	System	
6621	Summer changeover	S	Locally	
6623	Optg mode changeover	S	Centrally	
6624	Manual source lock	S	Locally	
6625	DHW assignment	S	All HCs in system	
6631	Ext source in Eco mode	S	Off	
6640	Clock mode	C	Autonomously	
6650	Outside temp source	S	0	
Fault				
6705	SW diagnostic code	E	0	
6710	Reset alarm relay	C	No	
6740	Flow temp 1 alarm	S	120 min	
6741	Flow temp 2 alarm	S	120 min	
6742	Flow temp 3 alarm	S	120 min	
6743	Boiler temp alarm	S	120 min	
6745	DHW charging alarm	S	8 h	
6800	History 1	S	00:00	
6805	SW diagnostic code 1	S	0	
6810	History 2	S	00:00	
6815	SW diagnostic code 2	S	0	
6820	History 3	S	00:00	
6825	SW diagnostic code 3	S	0	
6830	History 4	S	00:00	
6835	SW diagnostic code 4	S	0	
6840	History 5	S	00:00	
6845	SW diagnostic code 5	S	0	
6850	History 6	S	00:00	
6855	SW diagnostic code 6	S	0	
6860	History 7	S	00:00	
6865	SW diagnostic code 7	S	0	
6870	History 8	S	00:00	
6875	SW diagnostic code 8	S	0	
6880	History 9	S	00:00	
6885	SW diagnostic code 9	S	0	
6890	History 10	S	00:00	
6895	SW diagnostic code 10	S	0	
6900	History 11	S	00:00	
6906	Burner control phase 11	S	0	
6910	History 12	S	00:00	

Line No.	Programme	Access	Default value	Customer setting
6915	SW diagnostic code 12	S	0	
6920	History 13	S	00:00	
6925	SW diagnostic code 13	S	0	
6930	History 14	S	00:00	
6935	SW diagnostic code 14	S	0	
6940	History 15	S	00:00	
6945	SW diagnostic code 15	S	0	
6950	History 16	S	00:00	
6955	SW diagnostic code 16	S	0	
6960	History 17	S	00:00	
6965	SW diagnostic code 17	S	0	
6970	History 18	S	00:00	
6975	SW diagnostic code 8	S	0	
6980	History 19	S	00:00	
6985	SW diagnostic code 19	S	0	
6990	History 20	S	00:00	
6995	SW diagnostic code 20	S	0	
Service/special operation				
7040	Burner hours interval	S	1500 h	
7041	Burn hrs since maintenance	S	0 h	
7042	Burner start interval	S	9000	
7043	Burn starts since maint	S	0	
7044	Maintenance interval	S	24 months	
7045	Time since maintenance	S	0 month	
7050	Fan speed ionization current	S	0	
7051	Message ionization current	S	No	
7130	Chimney sweep function	E	Off	
7131	Burner output	E	Max heating load	
7140	Manual control	E	Off	
7143	Controller stop function	S	Off	
7145	Controller stop setpoint	S	0 %	
7146	Deaeration function	C	On	
7147	Type of venting	C	None	
7170	Telephone customer service	C	0	
Input/output test				
7700	Relay test	C	No test	
7716	Output test UX2	C	--- %	
7724	Output test UX3	C	--- %	
7730	Outside temp B9	C	0 °C	
7750	DHW temp B3/B38	C	0 °C	
7760	Boiler temp B2	C	0 °C	
7820	Sensor temp BX1	C	0 °C	
7821	Sensor temp BX2	C	0 °C	
7822	Sensor temp BX3	C	0 °C	
7823	Sensor temp BX4	C	0 °C	
7830	Sensor temp BX21 module 1	C	0 °C	
7831	Sensor temp BX22 module 1	C	0 °C	
7832	Sensor temp BX21 module 2	C	0 °C	
7833	Sensor temp BX22 module 2	C	0 °C	

Line No.	Programme	Access	Default value	Customer setting
7834	Sensor temp BX21 module 3	C	0 °C	
7835	Sensor temp BX22 module 3	C	0 °C	
7840	Voltage signal H1	C	0 V	
7841	Contact state H1	C	Open	
7845	Voltage signal H2 module 1	C	0 V	
7846	Contact state H2 module 1	C	Open	
7848	Voltage signal H2 module 2	C	0 V	
7849	Contact state H2 module 2	C	Open	
7851	Voltage signal H2 module 3	C	0 V	
7852	Contact state H2 module 3	C	Open	
7854	Voltage signal H3	C	0 V	
7855	Contact state H3	C	Open	
7860	Contact state H4	C	Open	
7862	Frequency H4	C	0	
7865	Contact state H5	C	Open	
7872	Contact state H6	C	Open	
7874	Contact state H7	C	Open	
7950	Input EX21 module 1	C	0 V	
7951	Input EX21 module 2	C	0 V	
7952	Input EX21 module 3	C	0 V	
State				
8000	State heating circuit 1	C	0	
8001	State heating circuit 2	C	0	
8002	State heating circuit 3	C	0	
8003	State DHW	C	0	
8005	State boiler	C	0	
8007	State solar	C	0	
8008	State solid fuel boiler	C	0	
8009	State burner	C	0	
8010	State buffer	C	0	
8011	State swimming pool	C	0	
Diagnostics cascade				
8100	Priority source 1	C	0	
8101	State source 1	C	Missing	
8102	Priority source 2	C	0	
8103	State source 2	C	Missing	
8104	Priority source 3	C	0	
8105	State source 3	C	Missing	
8106	Priority source 4	C	0	
8107	State source 4	C	Missing	
8108	Priority source 5	C	0	
8109	State source 5	C	Missing	
8110	Priority source 6	C	0	
8111	State source 6	C	Missing	
8112	Priority source 7	C	0	
8113	State source 7	C	Missing	
8114	Priority source 8	C	0	
8115	State source 8	C	Missing	
8116	Priority source 9	C	0	
8117	State source 9	C	Missing	

Line No.	Programme	Access	Default value	Customer setting
8118	Priority source 10	C	0	
8119	State source 10	C	Missing	
8120	Priority source 11	C	0	
8121	State source 11	C	Missing	
8122	Priority source 12	C	0	
8123	State source 12	C	Missing	
8124	Priority source 13	C	0	
8125	State source 13	C	Missing	
8126	Priority source 14	C	0	
8127	State source 14	C	Missing	
8128	Priority source 15	C	0	
8129	State source 15	C	Missing	
8130	Priority source 16	C	0	
8131	State source 16	C	Missing	
8138	Cascade flow temp	C	0 °C	
8139	Cascade flow temp setp	C	0 °C	
8140	Cascade return temp	C	0 °C	
8141	Cascade return temp setp	C	0 °C	
8150	Source seq ch'over current	C	0 h	
Diagnostics heat generation				
8304	Boiler pump Q1	S	Off	
8308	Boiler pump speed	S	0 %	
8309	Bypass pump speed	S	0 %	
8310	Boiler temp	C	0 °C	
8311	Boiler setpoint	C	0 °C	
8312	Boiler switching point	C	0 °C	
8313	Control sensor	C	0 °C	
8314	Boiler return temp	C	0 °C	
8315	Boiler return temp set	C	0 °C	
8316	Flue gas temp	C	0 °C	
8318	Flue gas temp max	C	0 °C	
8321	Primary exchanger temp	C	0 °C	
8323	Fan speed	C	0 tr/min	
8324	Set point fan	C	0 tr/min	
8325	Current fan control	C	0 %	
8326	Burner modulation	C	0 %	
8327	Water pressure	C	0	
8329	Ionization current	S	0 µA	
8330	Hours run 1st stage	S	00:00:00 h	
8331	Start counter 1st stage	S	0	
8338	Hours run heating mode	E	00:00:00 h	
8339	Hours run DHW	E	00:00:00 h	
8390	Current phase number	S	TNB	
8499	Collector pump 1	S	0	
8501	Solar ctrl elem buffer	S	0	
8502	Solar ctrl elem swi pool	S	0	
8505	Speed collector pump 1	S	0 %	
8506	Speed solar pump ext exch	S	0 %	
8507	Speed solar pump buffer	S	0 %	

Line No.	Programme	Access	Default value	Customer setting
8508	Speed solar pump swi pool	S	0 %	
8510	Collector temp 1	C	0 °C	
8511	Collector temp 1 max	C	-28 °C	
8512	Collector temp 1 min	C	350 °C	
8513	dt collector 1/DHW	C	0 °C	
8514	dt collector 1/buffer	C	0 °C	
8515	dt collector 1/swimming pool	C	0 °C	
8519	Solar flow temp	C	0 °C	
8520	Solar return temp	C	0 °C	
8526	24-hour yield solar energy	E	0 kW/h	
8527	Total yield solar energy	E	0 kW/h	
8530	Hours run solar yield	E	00:00:00 h	
8531	Hours run collect overtemp	E	00:00:00 h	
8532	Hours run collector pump	E	00:00:00 h	
8560	Solid fuel boiler temp	C	0 °C	
8570	Hours run solid fuel boiler	E	00:00:00 h	
Diagnostics consumers				
8700	Outside temp	C	0 °C	
8701	Outside temp min	E	50 °C	
8702	Outside temp max	E	-50 °C	
8703	Outside temp attenuated	C	0 °C	
8704	Outside temp composite	C	0 °C	
8730	Heating circuit pump 1	C	Off	
8731	Heat circ mix valv 1 open	C	Off	
8732	Heat circ mix valv 1 close	C	Off	
8735	Speed heating circuit pump 1	S	0 %	
8740	Room temp 1	C	20 °C	
8741	Room setpoint 1	C	20 °C	
8743	Flow temp 1	C	60 °C	
8744	Flow temp setpoint 1	C	60 °C	
8749	Room thermostat 1	C	No demand	
8760	Heating circuit pump 2	C	Off	
8761	Heat circ mix valv 2 open	C	Off	
8762	Heat circ mix valv 2 close	C	Off	
8765	Speed heating circuit pump 2	S	0 %	
8770	Room temp 2	C	20 °C	
8771	Room setpoint 2	C	20 °C	
8773	Flow temp 2	C	60 °C	
8774	Flow temp setpoint 2	C	60 °C	
8779	Room thermostat 2	C	No demand	
8790	Heating circuit pump 3	C	Off	
8791	HC mixing valve 3 open	C	Off	
8792	HC mixing valve 3 closed	C	Off	
8795	Speed heating circuit pump 3	S	0 %	
8800	Room temp 3	C	20 °C	
8801	Room setpoint 3	C	20 °C	
8803	Flow temp 3	C	60 °C	
8804	Flow temp setpoint 3	C	60 °C	
8809	Room thermostat 3	C	No demand	

Line No.	Programme	Access	Default value	Customer setting
8820	DHW pump	C	Off	
8825	Speed DHW pump	S	0 %	
8826	Speed DHW interm circ pump	S	0 %	
8827	Speed inst DHW heater pump	S	0 %	
8830	DHW temp 1	C	0 °C	
8831	DHW temp setpoint	C	55 °C	
8832	DHW temp 2	C	0 °C	
8835	DHW circulation temp	C	0 °C	
8836	DHW charging temp	C	0 °C	
8852	DHW consumption temp	C	0 °C	
8853	Instant WH setpoint	C	0 °C	
8860	DHW flow	C	0 l/min	
8875	Flow temp setp VK1	C	5 °C	
8885	Flow temp setp VK2	C	5 °C	
8895	Flow temp setp swimming pool	C	5 °C	
8900	Swimming pool temp	C	0 °C	
8901	Swimming pool setpoint	C	24 °C	
8930	Primary controller temp	C	0 °C	
8931	Primary controller set	C	0 °C	
8950	Common flow temp	C	0 °C	
8951	Common flow temp setp	C	0 °C	
8952	Common return temp	C	0 °C	
8962	Common output setpoint	C	0 %	
8980	Buffer temp 1	C	0 °C	
8981	Buffer setpoint	C	0 °C	
8982	Buffer temp 2	C	0 °C	
8983	Buffer temp 3	C	0 °C	
9005	Water pressure H1	C	0 bar	
9006	Water pressure H2	C	0 bar	
9009	Water pressure H3	C	0 bar	
9031	Relay output QX1	C	Off	
9032	Relay output QX2	C	Off	
9033	Relay output QX3	C	Off	
9034	Relay output QX4	C	Off	
9050	Relay output QX21 module 1	C	Off	
9051	Relay output QX22 module 1	C	Off	
9052	Relay output QX23 module 1	C	Off	
9053	Relay output QX21 module 2	C	Off	
9054	Relay output QX22 module 2	C	Off	
9055	Relay output QX23 module 2	C	Off	
9056	Relay output QX21 module 3	C	Off	
9057	Relay output QX22 module 3	C	Off	
9058	Relay output QX23 module 3	C	Off	
Burner control				
9504	Required speed prepurging	S	Depending on boiler	
9512	Required speed ignition	S	Depending on boiler	
9524	Required speed LF	S	Depending on boiler	
9525	Required speed LF min	S	Depending on boiler	
9529	Required speed HF	S	Depending on boiler	

Line No.	Programme	Access	Default value	Customer setting
9530	Required speed HF max	S	Depending on boiler	
9650	Chimney drying	S	Off	
9651	Req speed chimney drying	S	500 tr/min	
9652	Duration chimney drying	S	10 min	

12. ANNEX A

Data on products ≤ 400 kW

Product reference										
Trade mark			YGNIS							
Models			120	140	180	225	275	320	390	
Nominal power										
Prated		kW	117	136	175	219	268	312	381	
Useful heat production										
At nominal power and in 80°C / 60°C regime		P ₄	kW	117,2	136,8	175,7	219,6	269,2	313,3	381,4
		η ₄ (PCS)	%	87,9	87,9	87,8	87,8	88,1	88,1	88,0
At 30% nominal power and in 30°C return temperature regime		P ₁	kW	39,2	45,7	58,9	73,6	89,8	104,5	127,4
		η ₁ (PCS)	%	97,9	97,9	98,2	98,2	98,0	98,0	98,0
Auxiliary electricity consumption										
Under full load		elmax	kW	0,204	0,311	0,179	0,32	0,238	0,352	0,480
Under partial load		elmin	kW	0,101	0,119	0,101	0,124	0,178	0,194	0,219
In standby mode		P _{sb}	kW	0,005	0,005	0,005	0,005	0,005	0,005	0,005
Other properties										
Heat loss		P _{stby}	kW	0,182	0,182	0,213	0,213	0,259	0,259	0,311
Nitrogen oxide emissions		Nox (PCS)	mg/kWh	27	27	27	27	36	36	32

Hamworthy Heating Accredited Agents

Southern Ireland (Sales & Service)

HEVAC Limited

Naas Road, Dublin 12, Ireland

tel: 00 353 141 91919 fax: 00 353 145 84806

email: info@hevac.ie

Scotland (Sales & Service)

McDowall Modular Services

2 Penson Road, Queenslie Industrial Estate, Glasgow, G33 4AG

tel: 0141 336 8795 fax: 0141 336 8954

email:

MMS.McDowallModularServices@hamworthy-heating.com

Hamworthy Heating Customer Service Centre

Sales

tel: 01202 662552

email: sales@hamworthy-heating.com

Technical Enquiries

tel: 01202 662505

email: technical@hamworthy-heating.com

Servicing

tel: 01202 662555

email: service@hamworthy-heating.com

Spares

tel: 01202 662525

email: spares@hamworthy-heating.com

British engineering excellence from Hamworthy Heating;
the commercial heating and hot water specialists.



Customer Service Centre

hamworthy Heating Limited,

Wessex House,

New Fields Business Park,

Stinsford Road,

Poole,

Dorset,

BH17 0NF

Telephone: 01202 662500

Fax: 01202 662522

Email: aftersales@hamworthy-heating.com

Website: www.hamworthy-heating.com