

the HAMWORTHY

WESSEX MODUMAX mk3 PUMP KIT

Primary boiler shunt pumps are recommended for installation within the dedicated primary circuit using a low loss header. They are designed to ensure adequate boiler flow regardless of conditions in the secondary circuit.

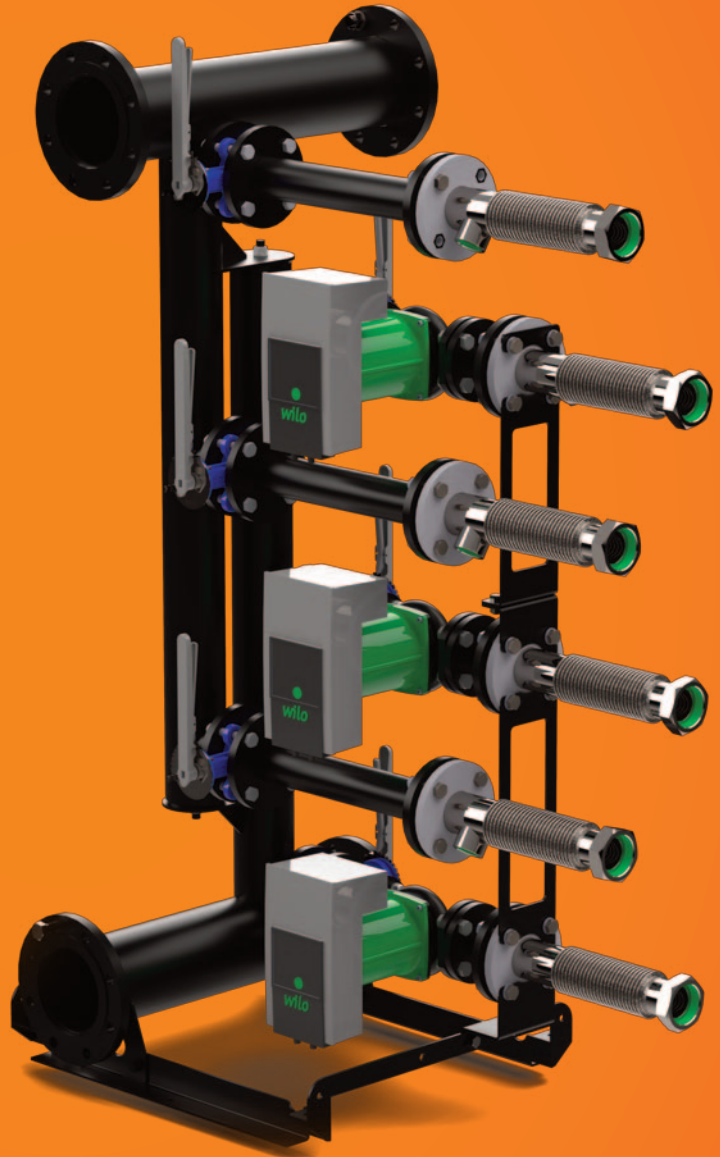
Key features:

- Energy-saving high-efficiency pump
- LED display shows you set delivery head, speed stage and potential errors
- Green button allows for simple adjustment of control mode $\Delta p-v$, $\Delta p-c$ and three speed stages
- Reliable operation due to collective fault signal
- Designed to work with boilers running at 20 Deg C temperature differential

Available for use on DN150 pipe kits:

- 2-high = UIN 562702047
- 3-high = UIN 562702048

Pump kits sold separately to pipe kits and must be ordered separately.



SCAN
ME

hamworthy-heating.com

sales@hamworthy-heating.com | 01202 662500



Pump kits

Pump kits available

Pump Kit ref	No. of pumps	Pump Model	Used With	
			Pipe Kit	Modumax mk3 Models
184361	2	Yonos Maxo 40/0.5-12	DN150, 2 high (562702047)	147/294V 196/392V 254/508V
184362	3	Yonos Maxo 40/0.5-12	DN150, 3 high (562702048)	147/441V 196/588V 254/762V



Installing the Wessex pump kits

1

1.) Modumax kit as standard. The following guide assumes the use of a brand-new Pipe Kit which has not yet been connected to boilers or supply.

2

2.) Remove Hoses and Butterfly Valves

3

3.) Re-install Butterfly Valves; install Pump Spool and Spacer Spool as shown

DETAIL A

4

4.) Install Pump using supplied Fasteners & Gaskets

5

5.) Install second Pump Spool using supplied Fasteners & Gaskets

6

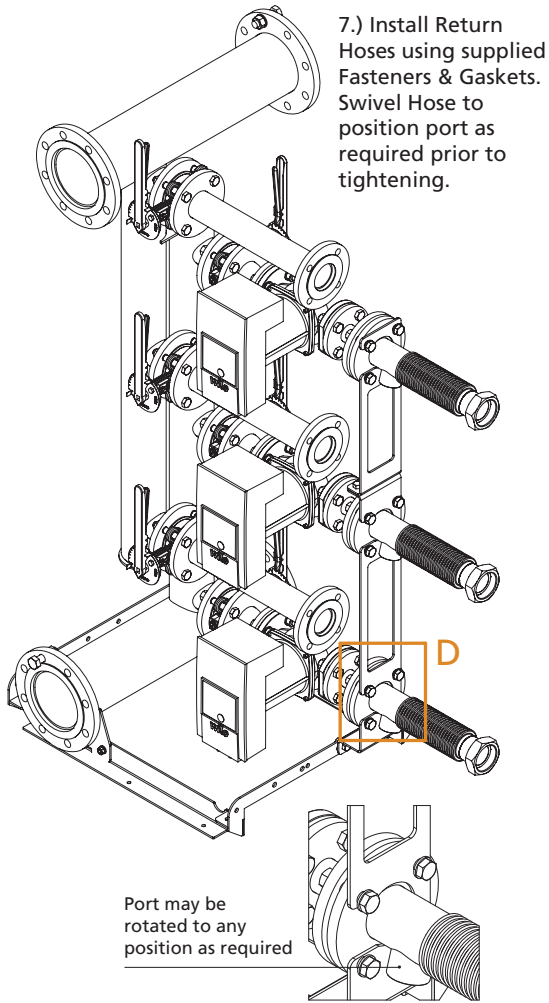
6.) Install Lower Pump Support Plate to Kit Base (2H & 3H Kits) – see Detail B

DETAIL B

Install Upper Pump Support Plate on to Lower Support Plate (3H Kits only) – See Detail C

DETAIL C

7

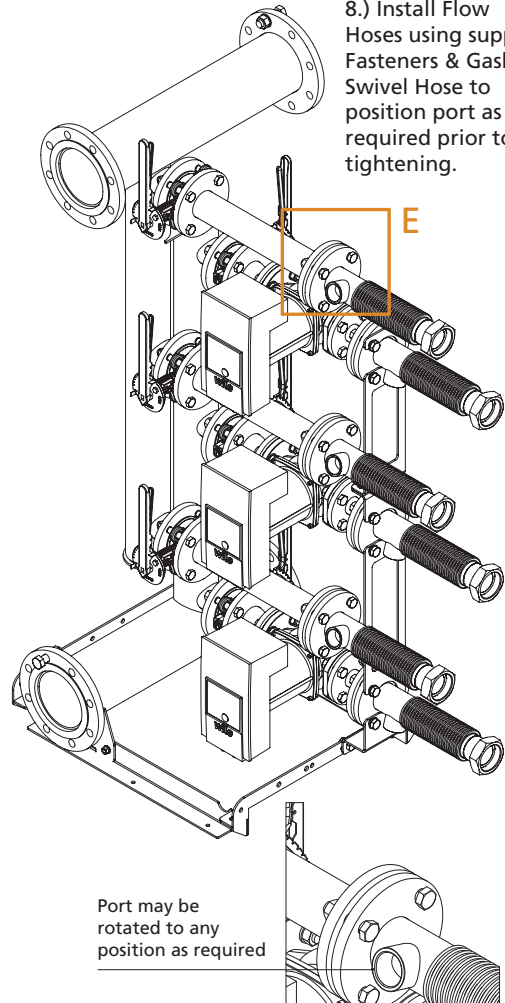


7.) Install Return Hoses using supplied Fasteners & Gaskets. Swivel Hose to position port as required prior to tightening.

Port may be rotated to any position as required

DETAIL D

8



8.) Install Flow Hoses using supplied Fasteners & Gaskets. Swivel Hose to position port as required prior to tightening.

Port may be rotated to any position as required

DETAIL E

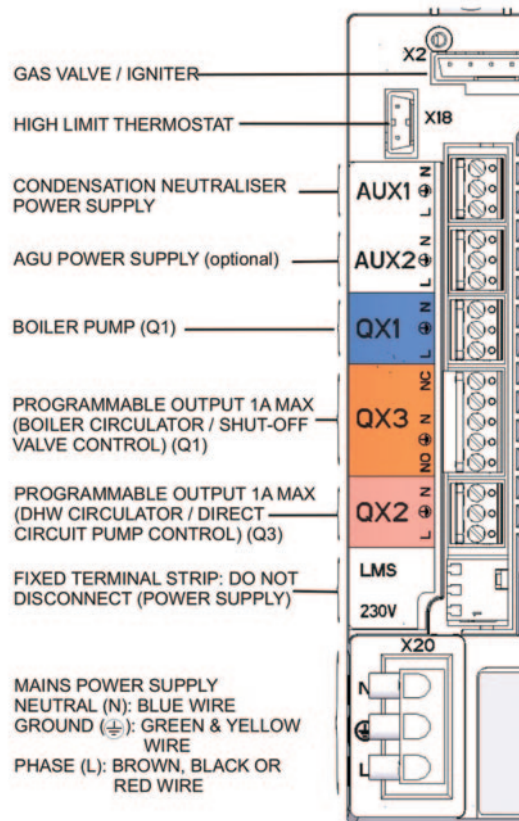
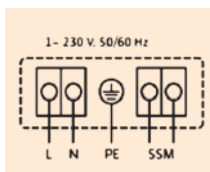
Electrical Notes

Pump used with kits Yonos Maxo 40/0.5-12 has a maximum current rating of 2.4A and needs to be connected via a contactor/relay (NOT supplied by Hamworthy).

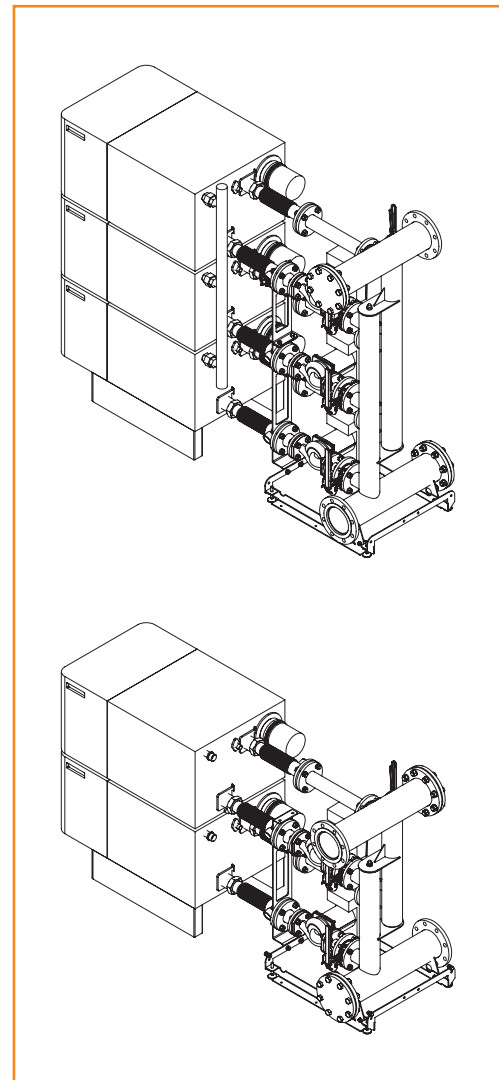
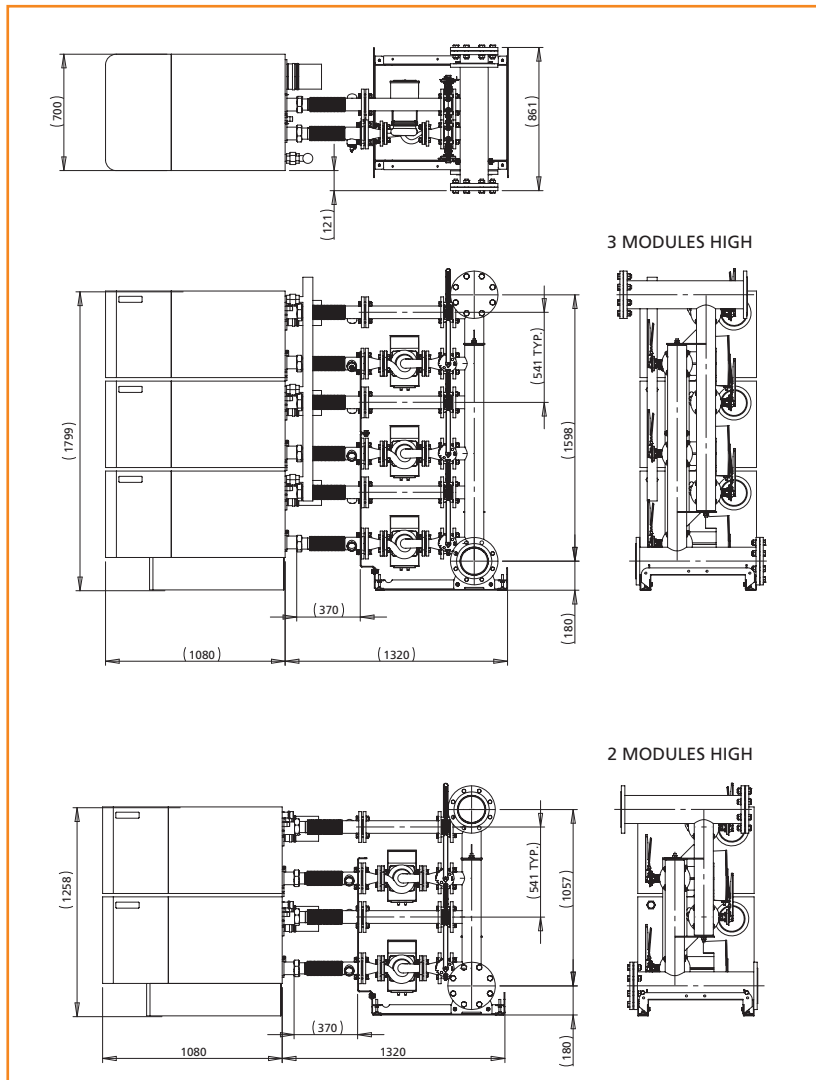
Each pump will be controlled from the boiler. The boiler will give a 230v controlled signal out of terminal connection QX1 which will energise the contactor / relay.

The contactor / relay will need a separate 230v supply suitable for the pump to feed terminals at the pump L, N & E (PE). The signal from boiler QX1 will operate the contactor / relay which will then operate the pump.

Pumps need to be set up to operate at constant differential pressure



Technical dimensions



British engineering excellence from Hamworthy Heating;
the commercial heating and hot water specialists.



**SUPPORT BRITISH
MANUFACTURING**



Hamworthy Heating Limited
Wessex House,
New Fields Business Park,
Stinsford Road,
Poole, Dorset BH17 0NF

Tel: **01202 662500**
Email: sales@hamworthy-heating.com
hamworthy-heating.com

Hamworthy Heating Accreditations
ISO 9001 Quality Management System
ISO 14001 Environmental Management System
ISO 45001 Health & Safety Management System

Every effort has been taken to ensure the details in this guide are accurate. Hamworthy Heating does not, however, guarantee the accuracy or completeness of any information nor does it accept liability for any errors or omissions in the information.



Hamworthy Heating reserves the right to make changes and improvements which may necessitate alteration to product specification without prior notice.