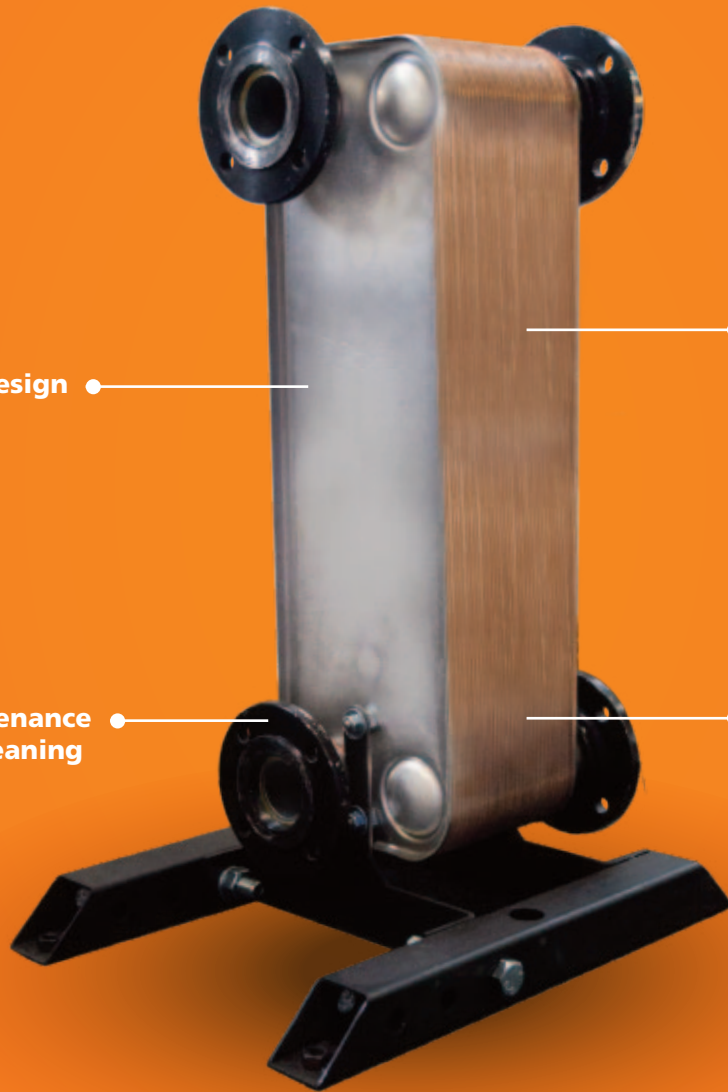


the **HAMWORTHY**

# BRAZED PLATE HEAT EXCHANGER

## 750kW



Compact design

Separates system water from the boiler

Low maintenance and self-cleaning

Used with Hamworthy Heating Cascade kits



SCAN ME

[hamworthy-heating.com](http://hamworthy-heating.com)  
[sales@hamworthy-heating.com](mailto:sales@hamworthy-heating.com) | 01202 662500



# Technical submittal

Products: **Brazed Plate Heat Exchanger – 750kW**

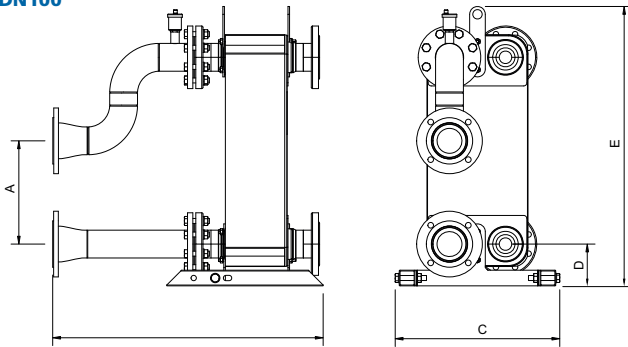
Project:

Customer:

Date:

750kW is the nominal capacity of the plate heat exchanger applying the operating conditions shown below. Please contact Hamworthy Heating to confirm the expected performance if the operating conditions differ from those shown.

DN100



## Dimensions

Dimension	A	B	C	D	E
DN100	330	830	520	79	813

	UNITS	HOT SIDE	COLD SIDE
Mass flow rate	kg/s	8.98	8.98
Inlet temperature	°C	80	50
Outlet temperature	°C	60	70
Pressure drop	kPa	14.5	20.2
Heat exchanged	kW	750	
Heat transfer area	m <sup>2</sup>	17.6	
Flow configuration	Countercurrent		
Number of plates / thickness	72 / 0.3 mm		
Number of passes		1	1
Pressure vessel code	PED		
Design pressure at 90.00 Celsius	Bar	19	19
Design pressure at 225.0 Celsius	Bar	15	15
Design temperature	°C	-196.0 / 225.0	
Overall length x width x height	mm	365x 324 x 959	
Volume	L	22.9	14.6
Net weight, empty / operating	kg	66.1 / 103	

## Standard Materials

Cover plates	Stainless steel
Connections	Stainless steel
Plates	Stainless steel
Brazing	Copper

**PLEASE NOTE:**

The plate heat exchangers are to be used for system separation only. They must not be used for the direct production of domestic hot water.

They should not be used for direct heating of swimming pool water where the chlorinated pool water would pass directly through the plate heat exchanger.

## Connections

### FRAME & HEADER

Stratton mk3	DN50	DN80	DN100
			✓
<b>System</b>			
DN80			
<b>Flanged</b>			
PN25			