

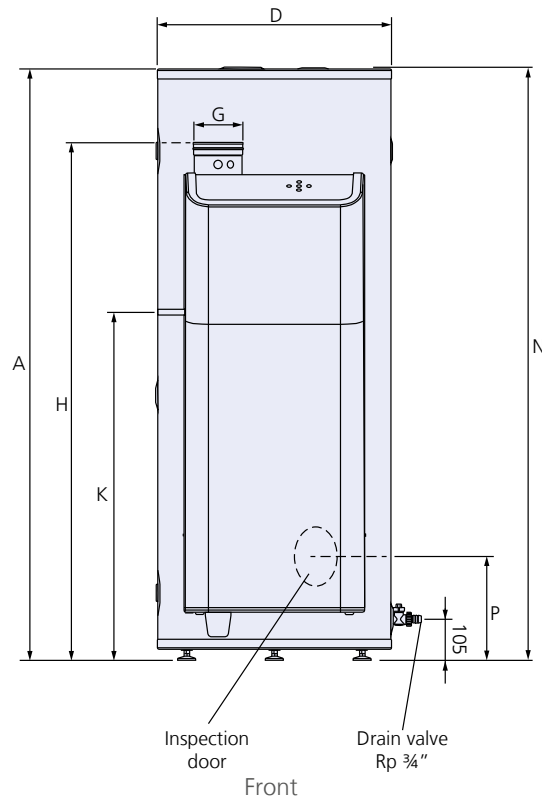
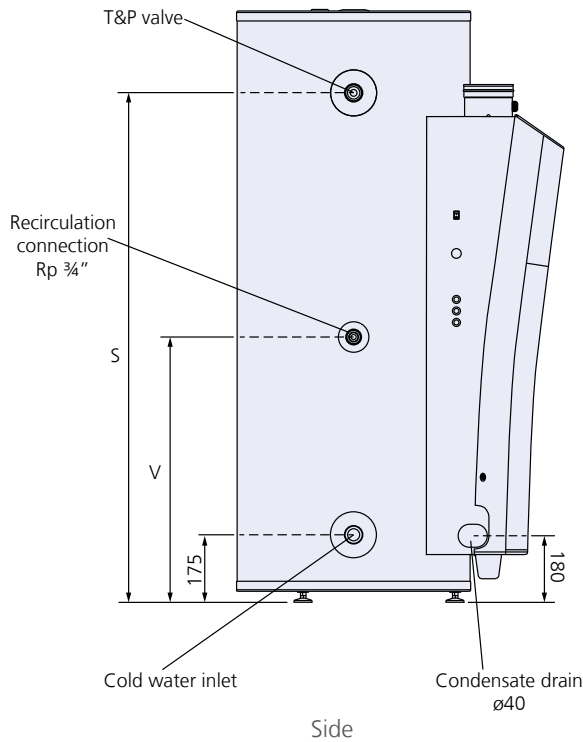
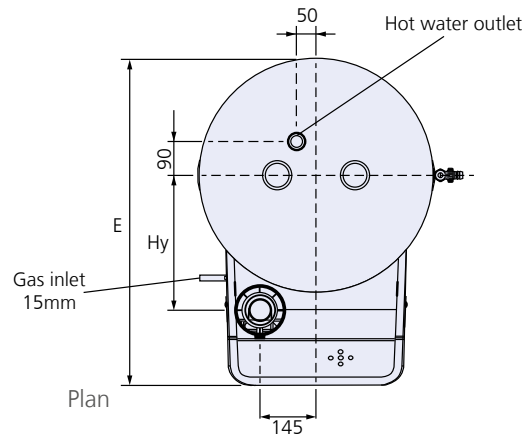
Dorchester DR-CC

Dimensions

All Models

Clearances

- ⦿ 1000mm at front
- ⦿ 500mm at sides
- ⦿ 1000mm at top
- ⦿ No rear clearances



Ref.	Dimension	DR-CC 12-160	DR-CC 12-200	DR-CC 20-160	DR-CC 20-200	DR-CC 24-245	DR-CC 24-285	DR-CC 32-245	DR-CC 32-285	DR-CC 32-380
A	Total Height	1270	1545	1270	1545	1545	1745	1545	1745	1745
D	Width	560	560	560	560	610	610	610	610	675
E	Depth	805	805	805	805	855	855	855	855	920
G	Flue connection	80/125	80/125	80/125	80/125	80/125	80/125	80/125	80/125	80/125
H	Height of flue outlet	1310	1310	1310	1310	1350	1350	1350	1350	1350
Hy	Position flue outlet	325	325	325	325	350	350	350	350	385
K	Height of gas connection	870	870	870	870	910	910	910	910	910
N	Height of hot water outlet	1270	1545	1270	1545	1545	1745	1545	1745	1745
P	Height of inspection door	155	155	155	155	280	280	280	280	280
S	Height of T&P - valve connection	1070	1325	1070	1325	1330	1535	1330	1535	1520
V	Height recirculation connection	605	605	605	605	690	690	690	690	690

Note: All dimensions in mm unless otherwise stated.