

Egeo

HIGH PERFORMANCE, CONNECTED AND COST-EFFECTIVE
HEAT PUMP WATER HEATER

Models 200 & 250 L (Floor-standing)
Model 250 L with coil (Floor-standing)



BENEFITS

- Low noise level (54 dB) for better comfort and integration
- New R290 refrigerant, Eco + and Absence modes for more energy savings
- Wi-Fi connectivity and remote piloting
- Ergonomic digital interface with heating indicator, operating modes and smart functions
- Coil version available in 250 L



+ EASY PROGRAMMING WITH DIGITAL CONTROL PANEL



Waterdrop LED Indicator : level of hot water ready to use

Absence mode :
Anti-frost position (20 °C)

Manual mode: Selection of required hot water quantity

Eco+ mode: Automatic operation according to consumer's daily habits



WI-FI CONNECTIVITY & REMOTE PILOTING

With Cozytouch App you can:

- Manage your water heater from everywhere
- Monitor your energy consumption
- Increase your hot water production immediately with Boost mode
- Switch off water heater when you are out



Cozytouch

Download the APP for free



Egeo

Models 200 & 250 L (Floor-standing)
Model 250 L with coil (Floor-standing)

+ PROVEN QUALITY WITH ACI HYBRID TECHNOLOGY

- 1 Heat pump
- 2 Air inlet / outlet
- 3 **DIAMOND QUALITY ENAMEL TANK** for long life and reliability
- 4 **ACI HYBRID** anti-corrosive protection
- 5 Sheathed stainless steel heating element
- 6 Electronic regulation for temperature control accuracy



ACI HYBRID TECHNOLOGY GUARANTEES YOU:

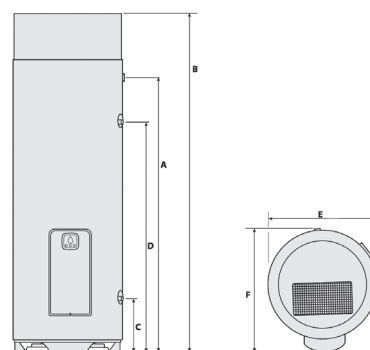
- Permanent and immediate protection of the tank in all types of water thanks to an anti-corrosive system with forced current and magnesium-coated titanium anode
- Limited scaling and easy maintenance



+ EASY INSTALLATION

Installation dimensions

Model	Dimensions (mm)					
	A	B	C	D	E	F
Egeo 200L	1180	1529	277	959	575	636
Egeo 250 L	1432	1782	277	1199	575	636
Egeo 250 L (with coil)	1432	1782	277	1199	575	636



Technical data

Model	Voltage (V)	Maximal total power consumed by the device (W)	Power consumed by electric heating (W)	COP at 15 °C (ambient)	V40 ErP (L)	Heating time from 15 °C to 51 °C (ambient installation 15 °C air) (H)	Acoustic power (db(A))	Refrigerant fluid	Net weight without coil (kg)	ErP class
Egeo 200L	230	2250	1800	2.4	270.5	3h42	54	R290	64	A
Egeo 250L	230	2250	1800	2.66	336.6	4h34	54	R290	71	A
Egeo 250 L (with coil)	230	2250	1800	2.5	337.9	4h35	54	R290	82	A

