

INGENIO INGENIO IO

Intelligence of a programmable radiator
with possibility of remote piloting

Thermor 

CHARACTERISTICS

COMFORT

- Homogeneous & gentle heat diffusion
- Double heating element: Aluminium heating element with heating front film
- Integrated programming adjusting to the user's life rhythm
- Remote piloting through a smartphone or a tablet thanks to Cozytouch compatibility

DESIGN

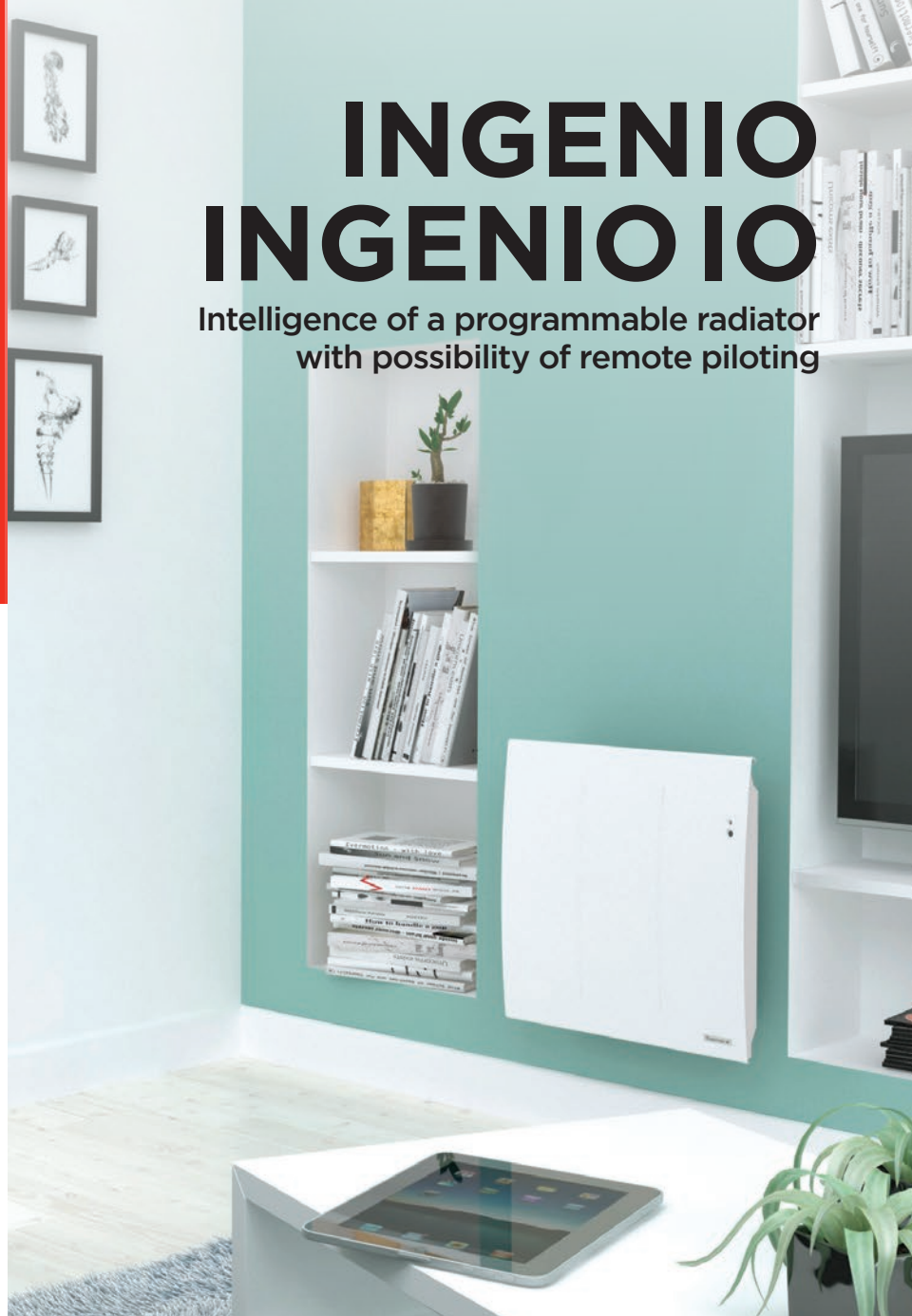
- Compact & elegant design to match all interiors
- Available in horizontal and vertical versions
- Colour: Textured matt white (RAL 9016)

USER-FRIENDLINESS

- Ergonomic LCD digital controls showing temperature and energy consumption
- 2 modes: Manual/Prog (Ingenio)
- 3 modes: Manual/Prog/Auto (Ingenio IO)
- ASP (Anti-Staining Process) to reduce staining on wall and equipment
- Easy to install: H-shaped vertical support

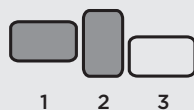
SAVINGS

- Up to 45% of energy savings* thanks to integrated programming and absence/presence sensor**
- 6-command pilot wire: Comfort, Comfort -1°C, Comfort -2°C, Eco, Anti-frost, Off
- Smart Pilot functions** memorising user's life rhythm & comfort requirements to drive optimal energy savings
- Open/closed window detection** function switching to Anti-frost mode as soon as a window opens
- Energy consumption indicator for responsible & informed use of the appliance
- ErP-compliant



GENTLE HEAT RADIATOR 500 TO 2000 W

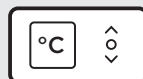
AVAILABLE MODELS



Models available**

Up to
45%
ENERGY
SAVINGS*

Energy savings



Digital
controls



Technology

**DOUBLE
HEATING
ELEMENT**

Heating
element



Vertical

Horizontal

* Compared with a mechanical convector

** Available only for Ingenio IO

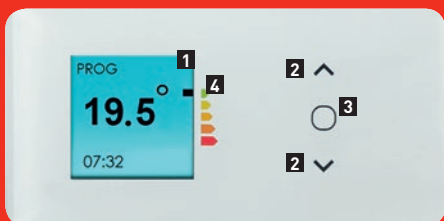
*** Models available: 1. Horizontal - 2. Vertical - 3. Plinth.

INSTALLATION DIMENSIONS (in mm)

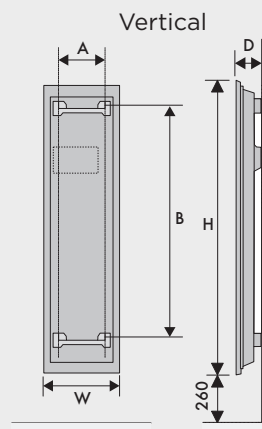
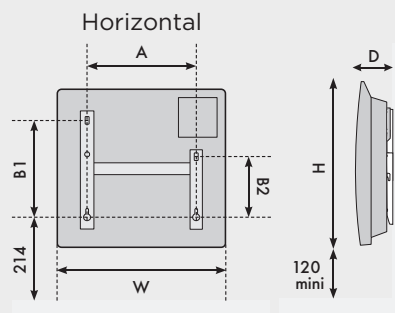


- 1 Heating front film
- 2 Sheated heating element with aluminium diffusor
- 3 Movement and light sensors*
- 4 LCD digital contols

DIGITAL CONTROL PANEL



- 1 Temperature and active mode display:
 - 2 modes: Manual/Prog (Ingenio)
 - 3 modes: Manual/Prog/Auto (Ingenio IO)
- 2 Navigation buttons
- 3 Access to menu/validation
- 4 Energy consumption indicator



SMART PILOT

A simple click and the radiator takes care of everything



TECHNICAL DATA

Output (W)	Dimensions (mm)							Net weight (kg)
	Width (W)	Height (H)	Depth (D)	A	B	B1	B2	
INGENIO / INGENIO IO HORIZONTAL								
500	379	477	129	120.8	-	246	158.5	5.3
750	379	477	129	120.8	-	246	158.5	5.3
1000	453	477	129	194.8	-	246	158.5	6.2
1250	527	477	129	268.8	-	246	158.5	7.2
1500	601	477	138	342.8	-	246	158.5	8.3
2000	749	477	138	490.8	-	246	158.5	9
INGENIO / INGENIO IO VERTICAL								
1500	460	1392	145	280	1082	-	-	17.5
2000	460	1540	145	280	1230	-	-	19



Classe II | IP 24

*Available only for Ingenio IO
** Compared with a mechanical convector

