

# OVATION 3

Elegance of a slim-line design radiator with smart energy-saving functions

Thermor 

## CHARACTERISTICS

### COMFORT

- Homogeneous and gentle heat diffusion
- Double heating element: Aluminium heating element with wide heating front film
- Remote piloting through a smartphone or a tablet thanks to Cozytouch compatibility

### DESIGN

- Elegant slim-line design
- Available in horizontal, vertical and plinth versions
- Colours: Anthracite (RAL 7016) and white (RAL 9016)

### USER-FRIENDLINESS

- LCD digital controls showing temperature and energy consumption
- ASP (Anti-Staining Process) to reduce staining on wall and on equipment
- Easy to install: H-shaped vertical support
- Editable integrated programming

### SAVINGS

- Up to 45% energy savings\* through finest digital controls, programming and absence/presence sensor\*\*
- Smart Pilot function\*\* memorising user's life rhythm & comfort requirements to drive optimal energy savings
- Open/closed window detection function\*\* switching to Anti-frost mode as soon as a window opens
- 6-command pilot wire: Comfort, Comfort - 1°C, Comfort - 2°C, Eco, Anti-frost, Off
- Energy consumption indicator for responsible & informed use of the equipment
- ErP-compliant



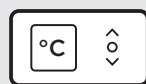
## GENTLE HEAT RADIATOR 750 to 2000 W



Models available\*\*\*

Up to  
**45%**  
ENERGY  
SAVINGS\*

Energy savings



Digital  
controls



Technology

DOUBLE  
HEATING  
ELEMENT

Heating  
element

### AVAILABLE MODELS



Horizontal  
White

Vertical  
White

Horizontal  
anthracite

Vertical  
anthracite



Plinth White

Plinth Anthracite

\* Compared with a mechanical convector

\*\* Not available for Ovation 3 Plinth

\*\*\*Models available: 1. Horizontal - 2. Vertical - 3. Plinth

## INSTALLATION DIMENSIONS (in mm)

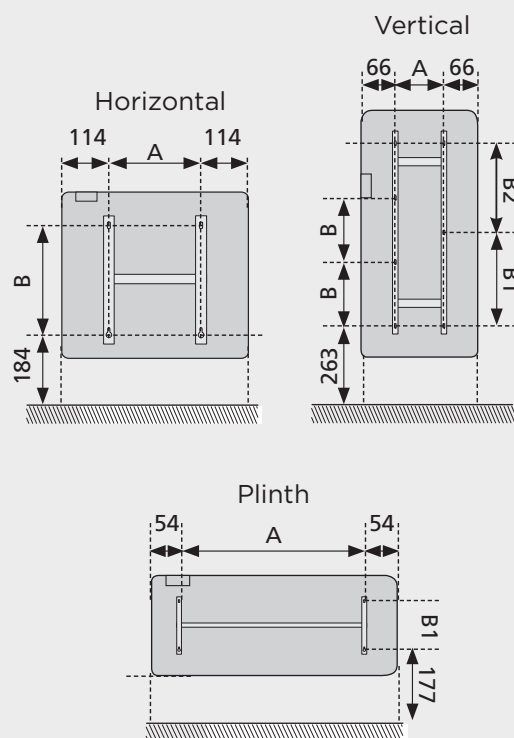


- 1 Digital controls
- 2 Aluminium heating element
- 3 Aluminium front panel
- 4 Heating film over the appliance's whole surface
- 5 Overheating safety device
- 6 Room temperature sensor

## DIGITAL CONTROL PANEL



- 1 Energy consumption indicator
- 2 Menu button to access various functions
- 3 On/off switch
- 4 Menu navigation, temperature & active mode-setting buttons



## TECHNICAL DATA

Output (W)	Dimensions (mm)							Net weight (kg)
	Width (W)	Height (H)	Depth (D)	A	B	B1	B2	
<b>Ovation 3 Horizontal</b>								
750	613	615	110	383	341	-	-	10.8
1000	761	615	110	531	341	-	-	13
1250	909	615	110	679	341	-	-	15.4
1500	1058	615	110	827	341	-	-	18
2000	1205	615	110	975	341	-	-	20.4
<b>Ovation 3 Vertical</b>								
1000	470	1124	149	338	282	453	383	18
1500	470	1346	149	338	376	453	383	20
2000	470	1568	149	338	376	453	383	23
<b>Ovation 3 Plinth</b>								
750	890	300	110	755	172	-	-	8
1000	1038	300	110	903	172	-	-	9
1500	1550	300	110	1369	172	-	-	14

230 V | IP 24

