

# BALEARES 2

Modernity of a thermofluid radiator for comfort similar to central heating

Thermor 

## CHARACTERISTICS

### COMFORT

- Thermofluid technology providing long-lasting heat and no dry air
- Soft homogeneous and gentle heat

### DESIGN

- Colour: White (RAL 9016)
- Elegant classic design

### USER-FRIENDLINESS

- Ergonomic LCD digital controls showing temperature and energy consumption
- 2 modes: Manual/Prog
- ASP (Anti-Staining Process) to reduce staining on wall and on equipment
- Easy to install: H-shaped vertical support

### SAVINGS

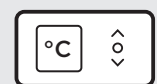
- Up to 25% energy savings\* through finest digital controls and programming
- High-quality electronic thermostat
- 6-command pilot wire: Comfort, Comfort -1°C, Comfort -2°C, Eco, Anti-frost, Off
- ErP-compliant



## GENTLE HEAT RADIATOR 300 TO 2000 W



Models available\*\*



Digital controls



Energy savings



Heating element

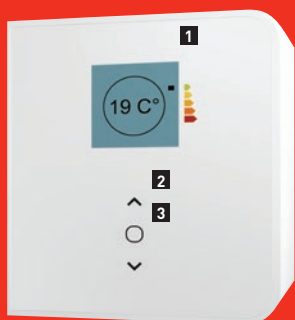
\* Compared with a mechanical convector  
\*\* Models available: 1. Horizontal - 2. Vertical - 3. Plinth.

## INSTALLATION DIMENSIONS (in mm)

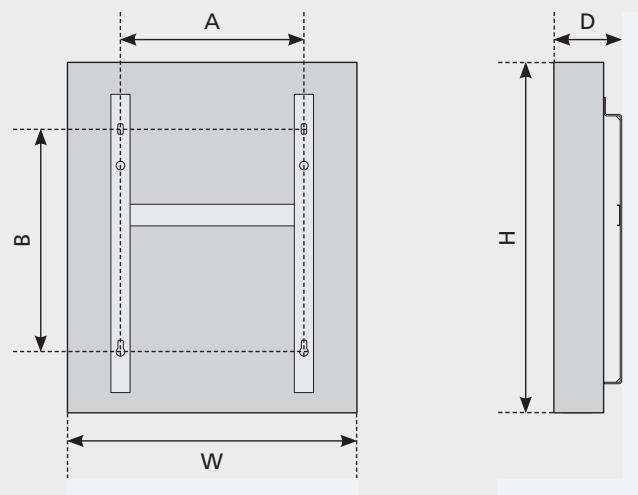


- 1 Heat-conducting fluid
- 2 LCD digital controls

## DIGITAL CONTROL PANEL



- 1 Digital screen showing temperature and energy consumption
- 2 Navigation buttons
- 3 Access to menu/validation



## TECHNICAL DATA

Output (W)	Dimensions (mm)					Net weight (kg)
	Width (W)	Height (H)	Depth (D)	A	B	
300	410	575	127	161	354	8.25
500	410	575	127	161	354	8.25
750	490	575	127	242	354	9.9
1000	490	575	127	242	354	9.9
1250	651	575	127	400	354	13.2
1500	732	575	127	400	354	14.8
2000	973	575	127	725	354	19.7



 Cat C | Classe II |  IP 24



