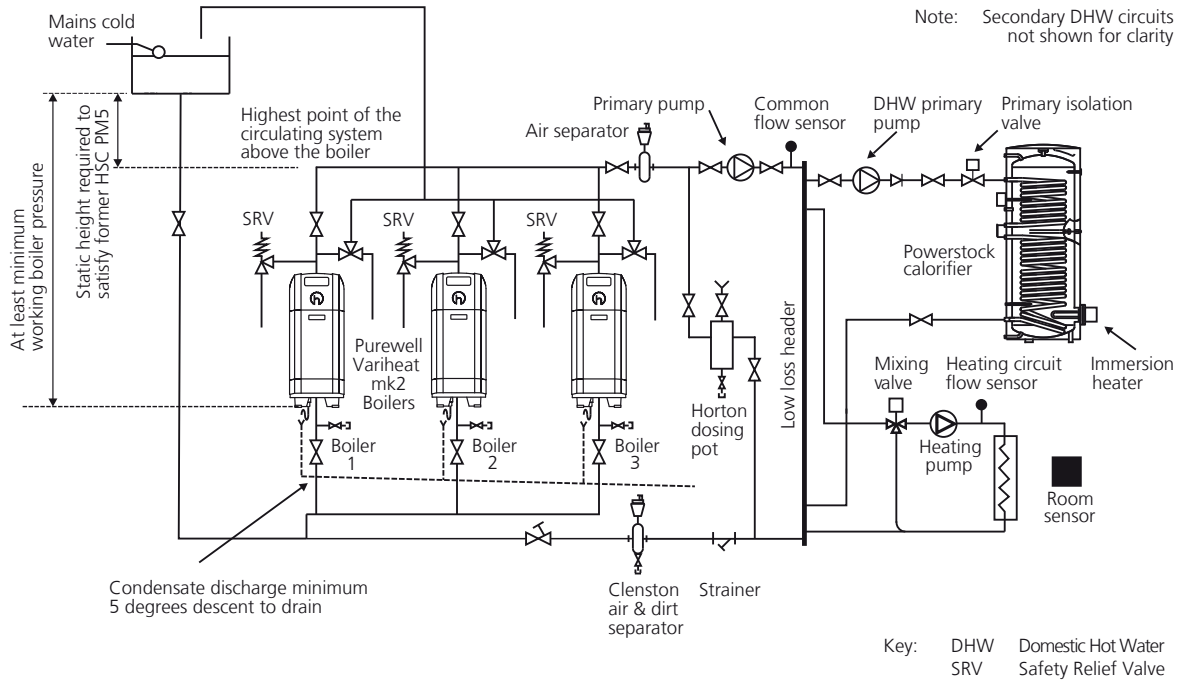
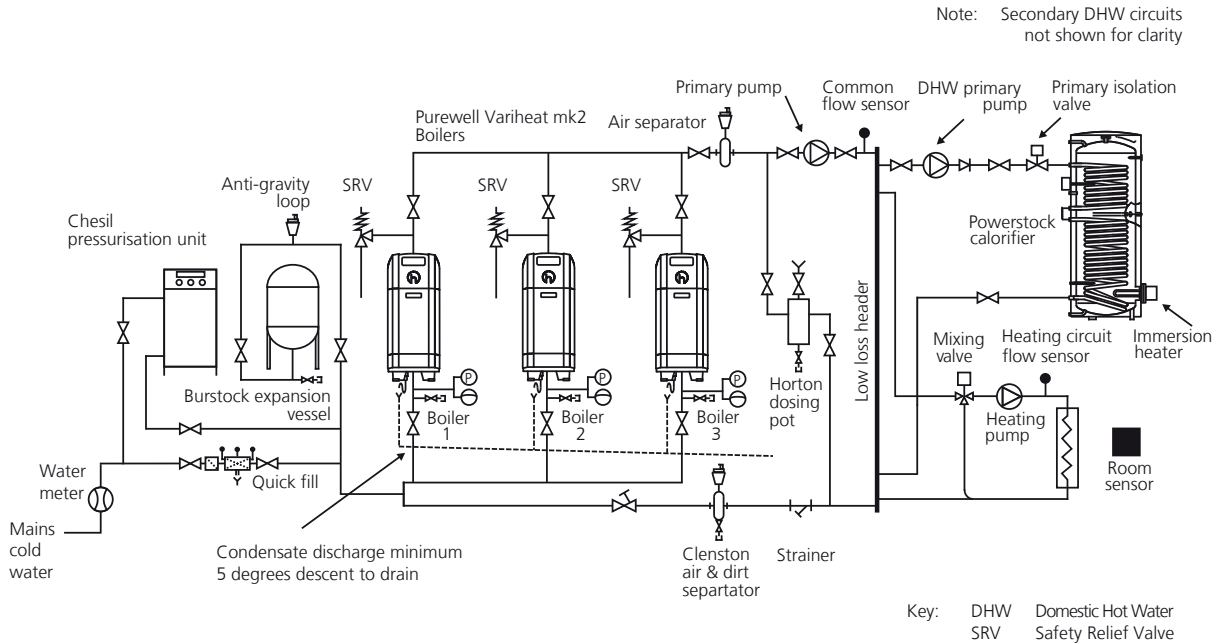


Purewell Variheat mk2 hydraulic schemes

Scheme 1: Open vented system with low loss header



Scheme 2: Sealed system with system pump and low loss header

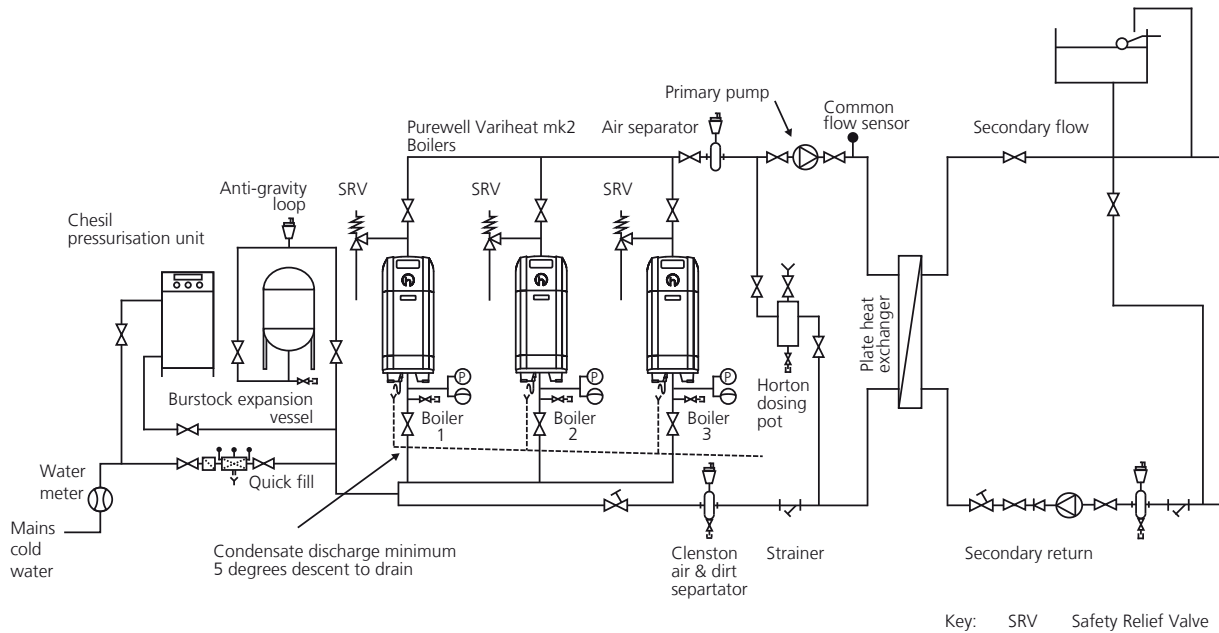


These schematics are available to download at www.hamworthy-heating.com

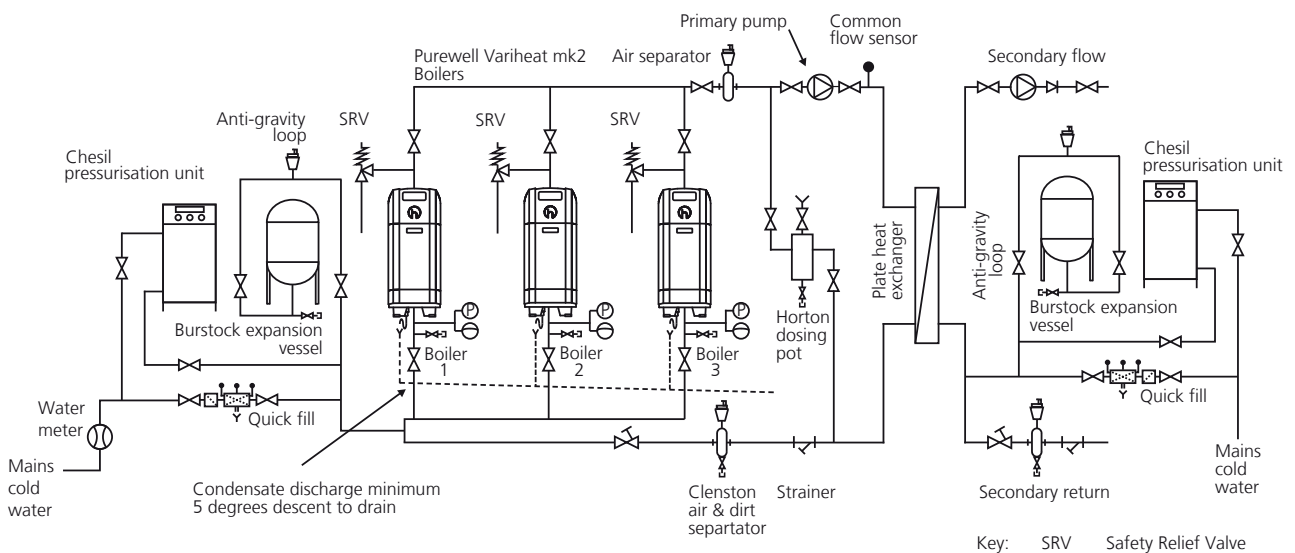
Note: These schematics have been provided for reference only.

Purewell Variheat mk2 hydraulic schemes

Scheme 3: Sealed primary and open vented secondary system with plate heat exchanger separation



Scheme 4: Sealed system with plate heat exchanger separation

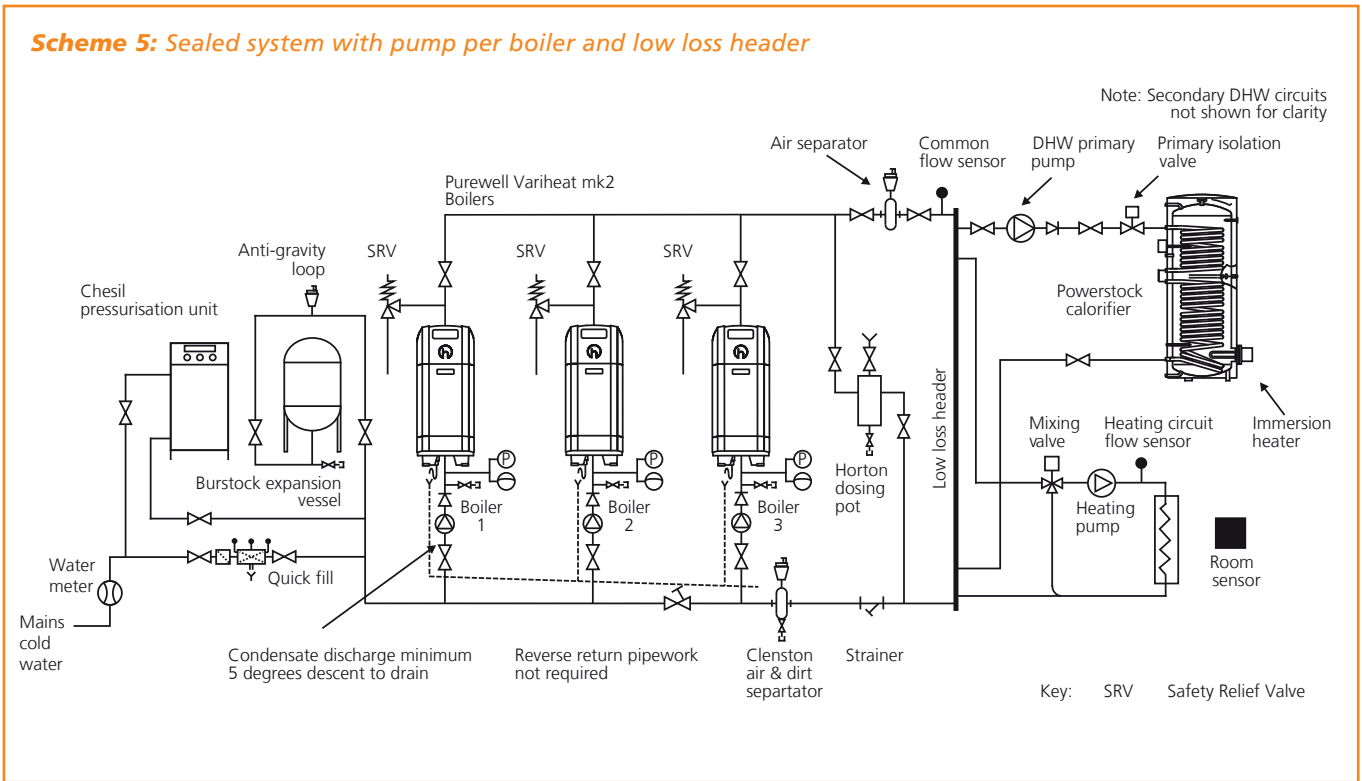


These schematics are available to download at www.hamworthy-heating.com

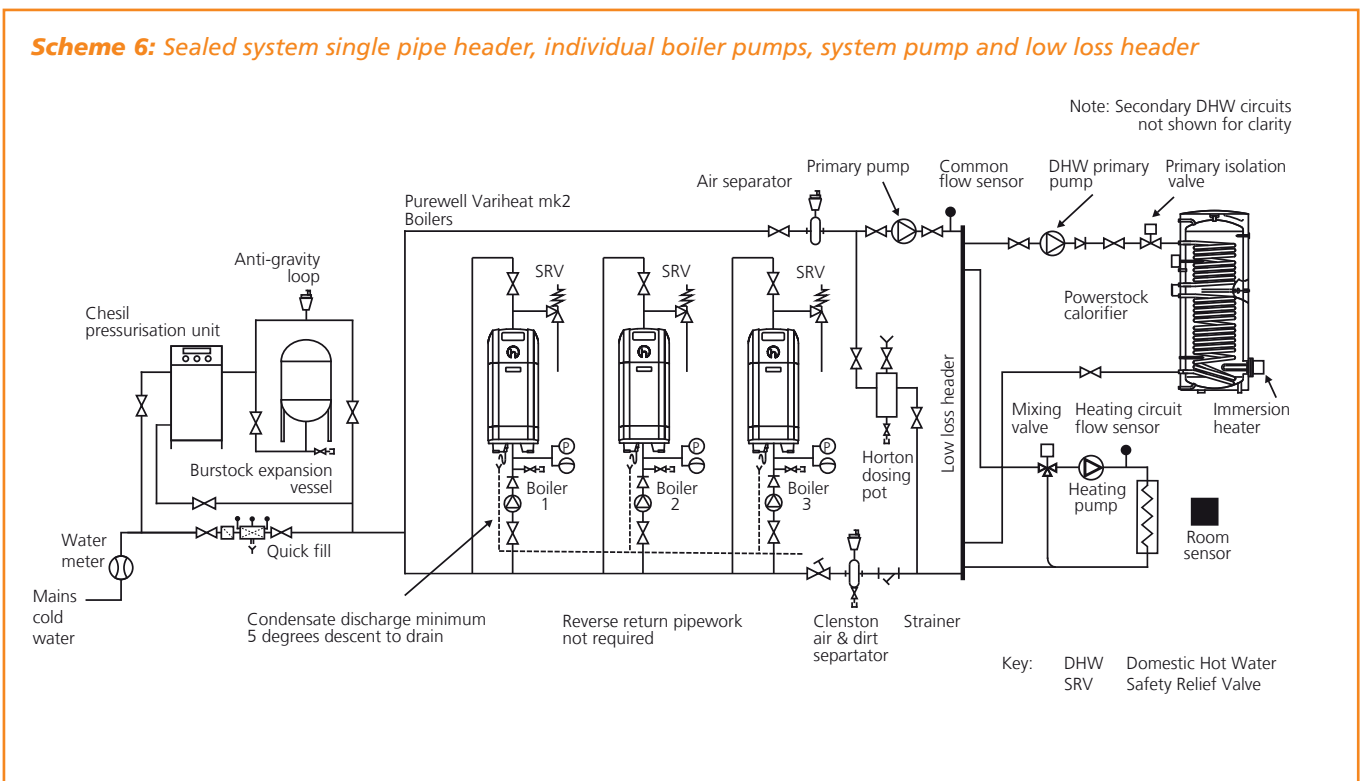
Note: These schematics have been provided for reference only.

Purewell Variheat mk2 hydraulic schemes

Scheme 5: Sealed system with pump per boiler and low loss header



Scheme 6: Sealed system single pipe header, individual boiler pumps, system pump and low loss header

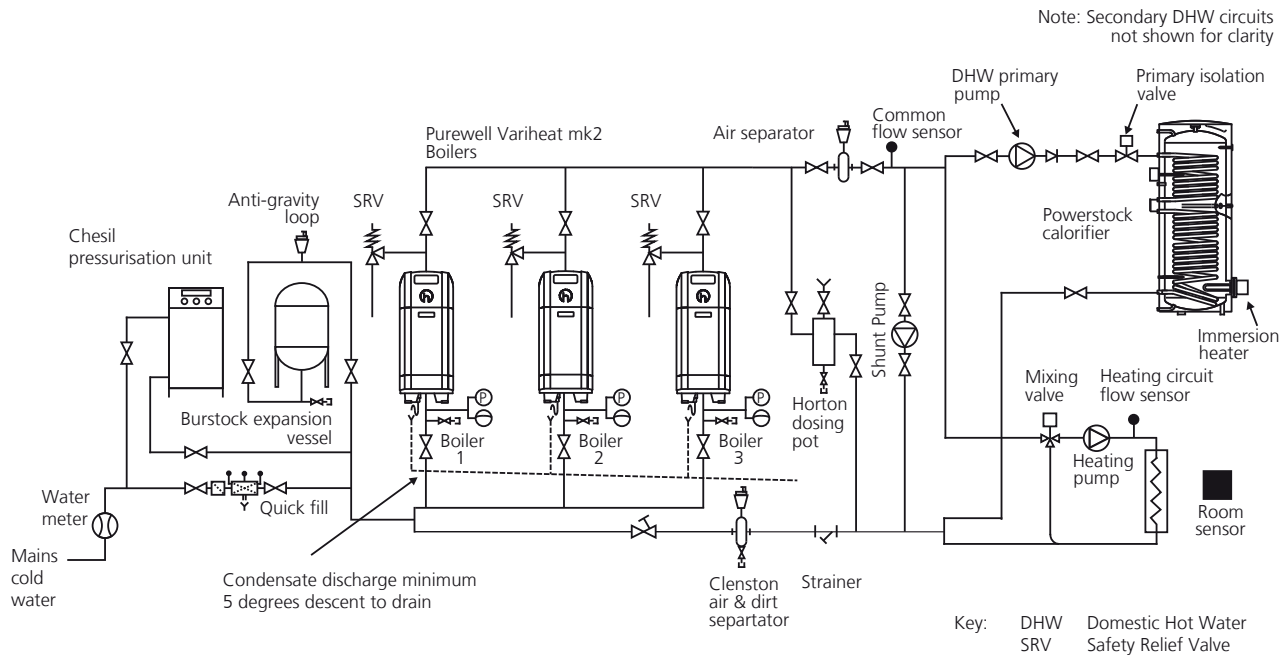


These schematics are available to download at www.hamworthy-heating.com

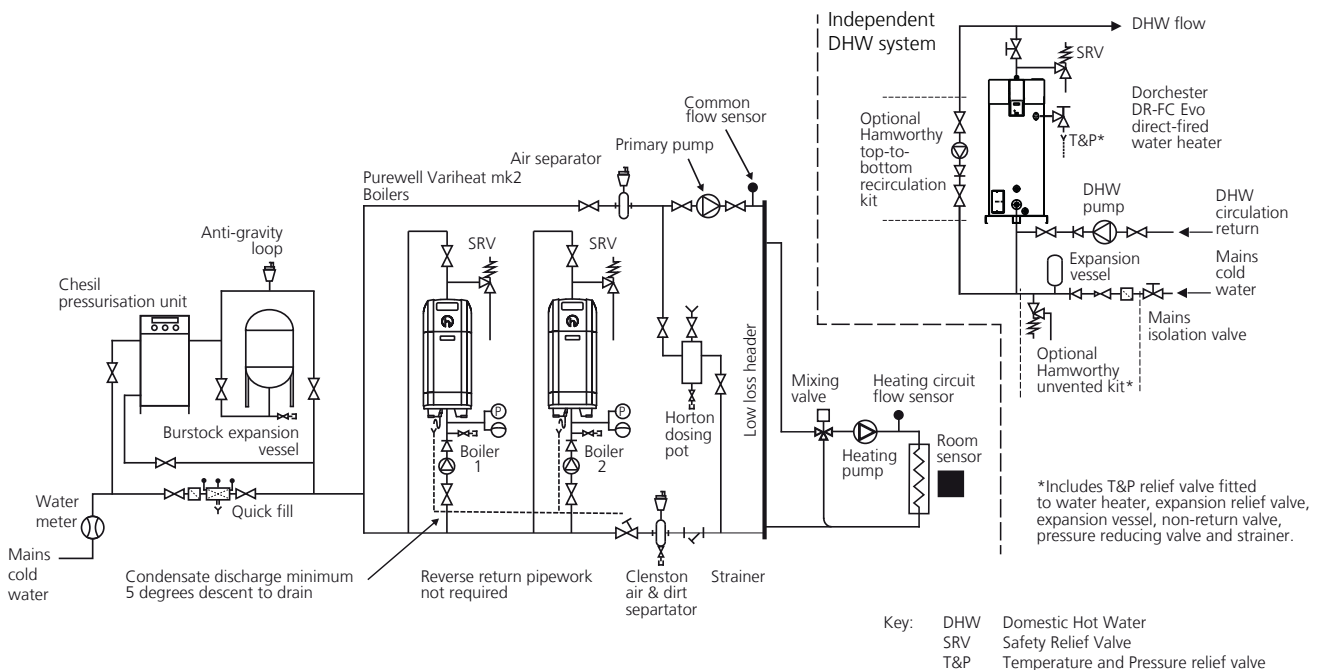
Note: These schematics have been provided for reference only.

Purewell Variheat mk2 hydraulic schemes

Scheme 7: Sealed system without a low loss header



Scheme 8: Sealed single pipe system with independent direct-fired Dorchester DHW system



These schematics are available to download at www.hamworthy-heating.com

Note: These schematics have been provided for reference only.